

AIR OPERATED EJECTOR

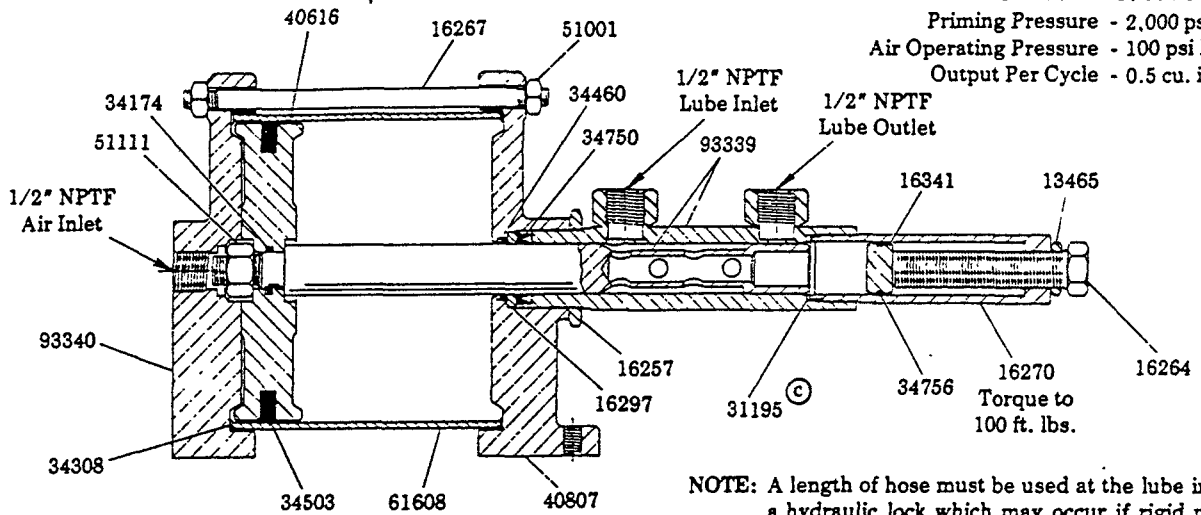
35:1 RATIO

Model 84540

Series "B"

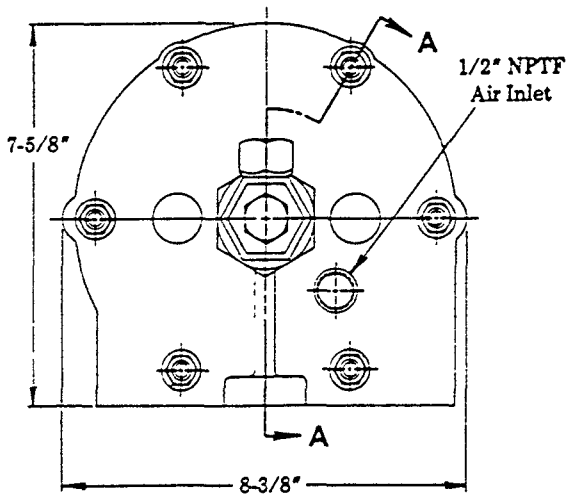
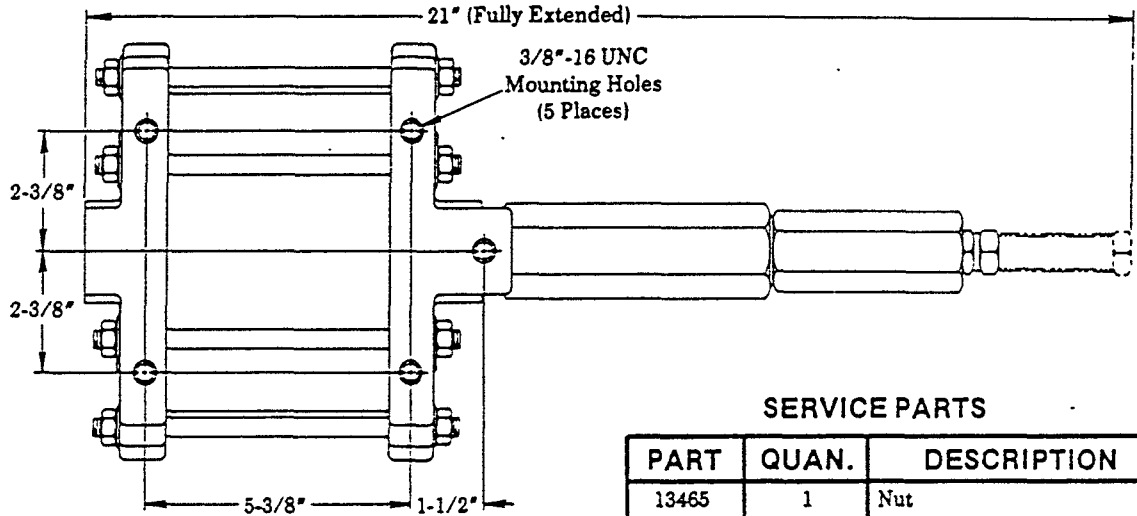
SPECIFICATIONS

Priming Pressure - 2,000 psi Maximum
 Air Operating Pressure - 100 psi Maximum
 Output Per Cycle - 0.5 cu. in. to 2.5 cu. in.



SECTION A-A

NOTE: A length of hose must be used at the lube inlet to prevent a hydraulic lock which may occur if rigid piping is used.



© Indicates Change

END VIEW

SERVICE PARTS

PART	QUAN.	DESCRIPTION
13465	1	Nut
16257	1	Nut
16264	1	Adjusting screw
16267	6	Tie rods
16270	1	Adjustment housing
16297	1	Spacer
16341	1	Plunger stop
31195	1	Gasket
34174	1	O-ring (buna-N)
34308	2	Air cylinder gasket
34460	1	U-cup packing (viton)
34503	1	Piston packing (buna-N)
34750	1	U-cup packing (polyurethane)
34756	1	O-ring (polyurethane)
40616	1	Piston
40807	1	Cylinder head
51001	12	Nut
51111	1	Gripco locknut
61608	1	Air cylinder
93339	1	Body & plunger
93340	1	Cylinder head

LINCOLN

LINCOLN, One Lincoln Way
 St. Louis, Missouri 63120-1578
 (314) 679-4200 Customer Service, (314) 679-4300

SECTION - F40

PAGE - 24B