

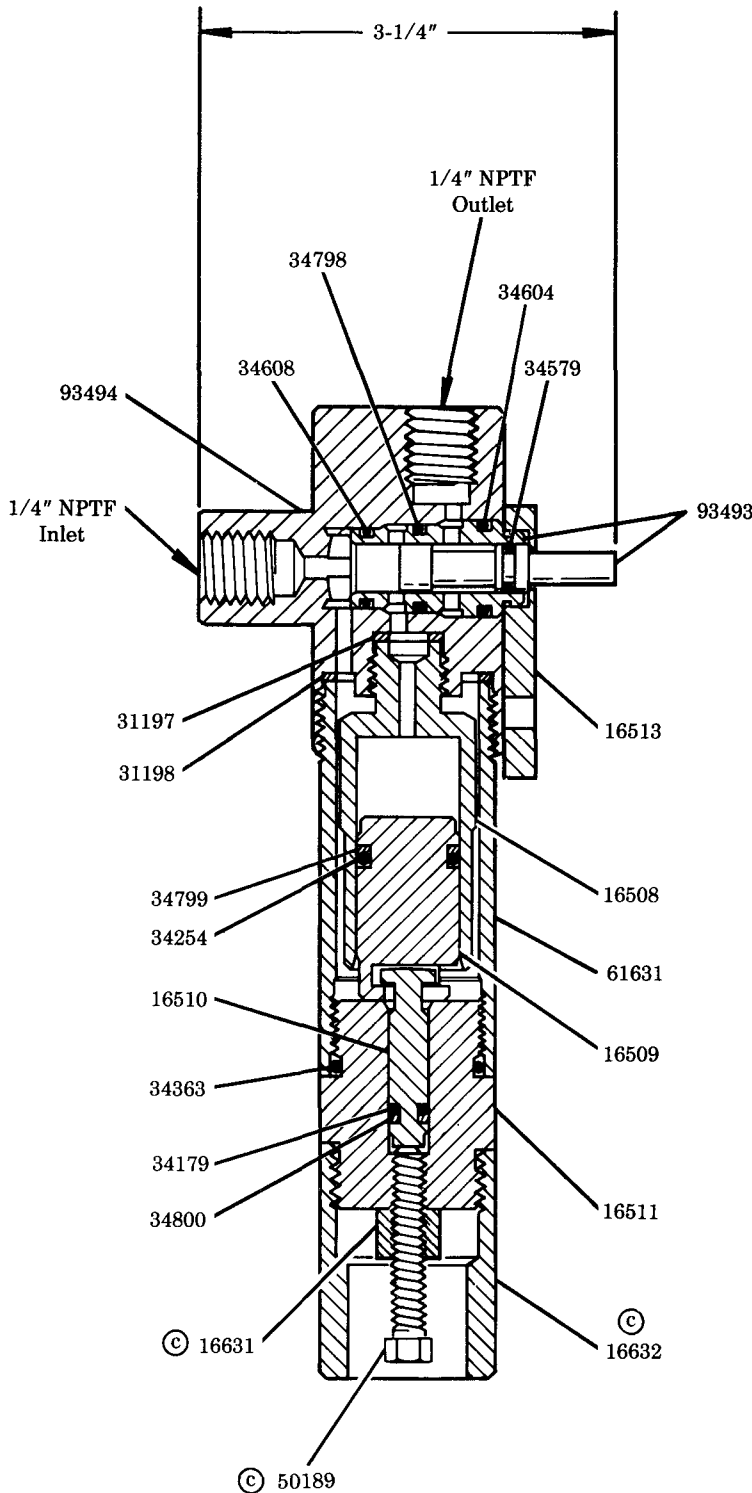
MEASURING VALVE

FOR FLUID LUBRICANT OR
N.L.G.I. #0 AND #1 GREASE.



Model 103035

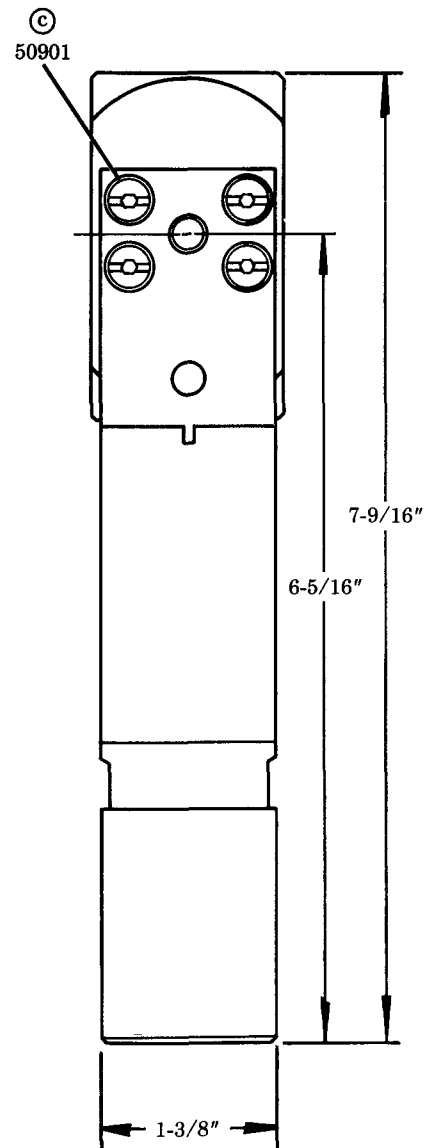
Series "A"



SPECIFICATIONS

Adjustable Output: .012 oz. (.022 cu. in) min
.16 oz. (.288 cu. in) max.

Operating Pressure: 500 psi min.
5000 psi max.



LINCOLN ST. LOUIS
4010 GOODFELLOW BLVD • ST LOUIS, MO 63120 • (314) 679-4200



A DIVISION OF
McNEIL
CORPORATION

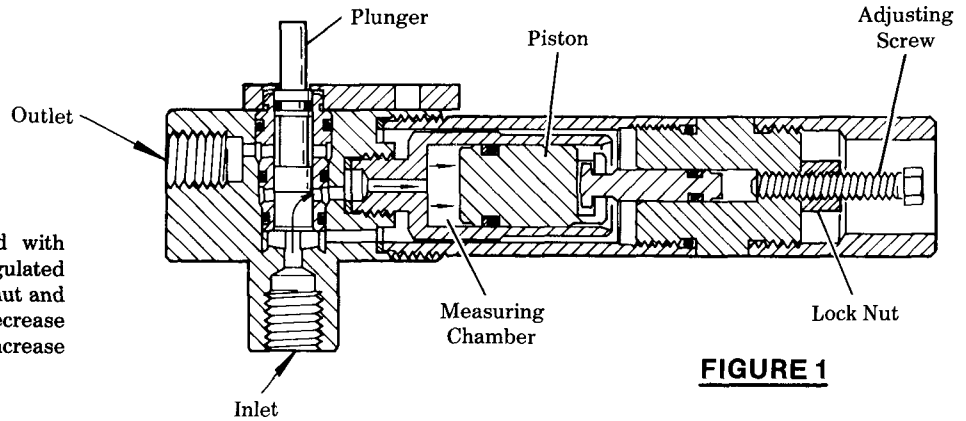
SECTION - **F40**
PAGE - **30A**

OPERATING INSTRUCTIONS

The Model 103035 Measuring Valve is designed to dispense measured quantities of semi-weight oils, and lubricants initially pumped from power operated lubricguns

ADJUSTMENT

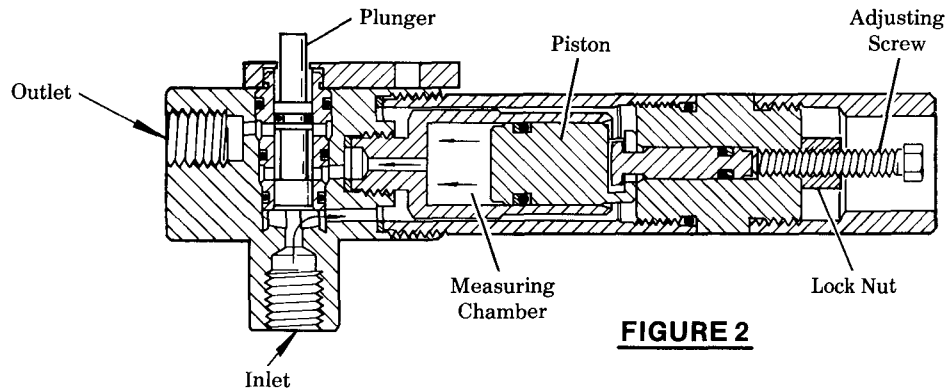
The volume of lubricant dispensed with each depression of the plunger is regulated by the adjusting screw. Loosen lock nut and turn adjusting screw clockwise to decrease volume and counter-clockwise to increase volume.



OPERATION

Figure 1 When plunger is released differential pressure forces piston back to permit lubricant entering inlet to fill measuring chamber. Position of plunger prevents lubricant from flowing out of outlet.

Figure 2 When plunger is depressed the lubricant entering inlet drives piston forward to force lubricant from measuring chamber through outlet. Position of plunger connects measuring chamber with outlet passage.



MAINTENANCE

Figure 1 If lubricant continues to flow from outlet after plunger is released the plunger is worn or damaged and the 93493 Bushing and Plunger Assembly should be replaced.

Figure 2 If lubricant continues to flow from outlet when plunger is depressed and measuring chamber is emptied, the plunger or the piston is worn or damaged and should be replaced.

SERVICE PARTS

PART	QUAN.	DESCRIPTION	PART	QUAN.	DESCRIPTION
16508	1	Measuring chamber	34579	1	O-ring
16509	1	Piston	34604	1	O-ring
16510	1	Piston	34608	1	O-ring
16511	1	Adjustment housing	34798	1	O-ring
16513	1	Plunger retainer	34799	1	Back-up ring
16631	1	Nut	34800	1	Back-up ring
16632	1	Tube	50189	1	Screw
31197	1	Gasket	50901	4	Screw
31198	1	Gasket	61631	1	Tube
34179	1	O-ring	93493	1	Bushing & plunger assembly
34254	1	O-ring	93494	1	Body
34363	1	O-ring			

RETAIN THIS INFORMATION FOR FUTURE REFERENCE

When ordering replacement parts, list: Part Number, Description, Model Number, and Series Letter.

LINCOLN ST. LOUIS provides a Distributor Network that stocks equipment and replacement parts.

A list of Authorized Service Departments will be furnished upon request.