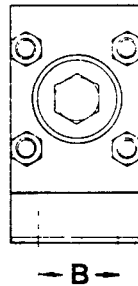
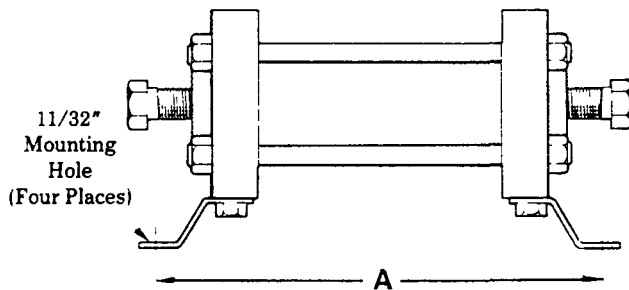
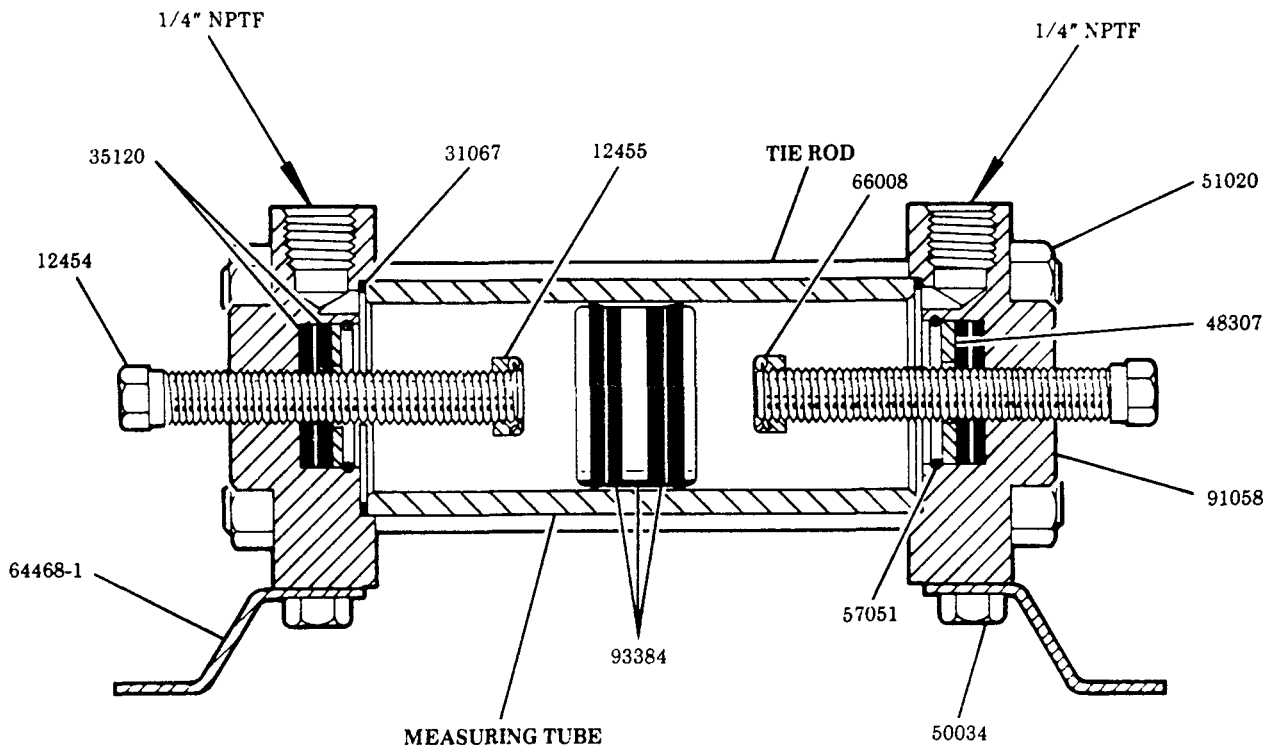


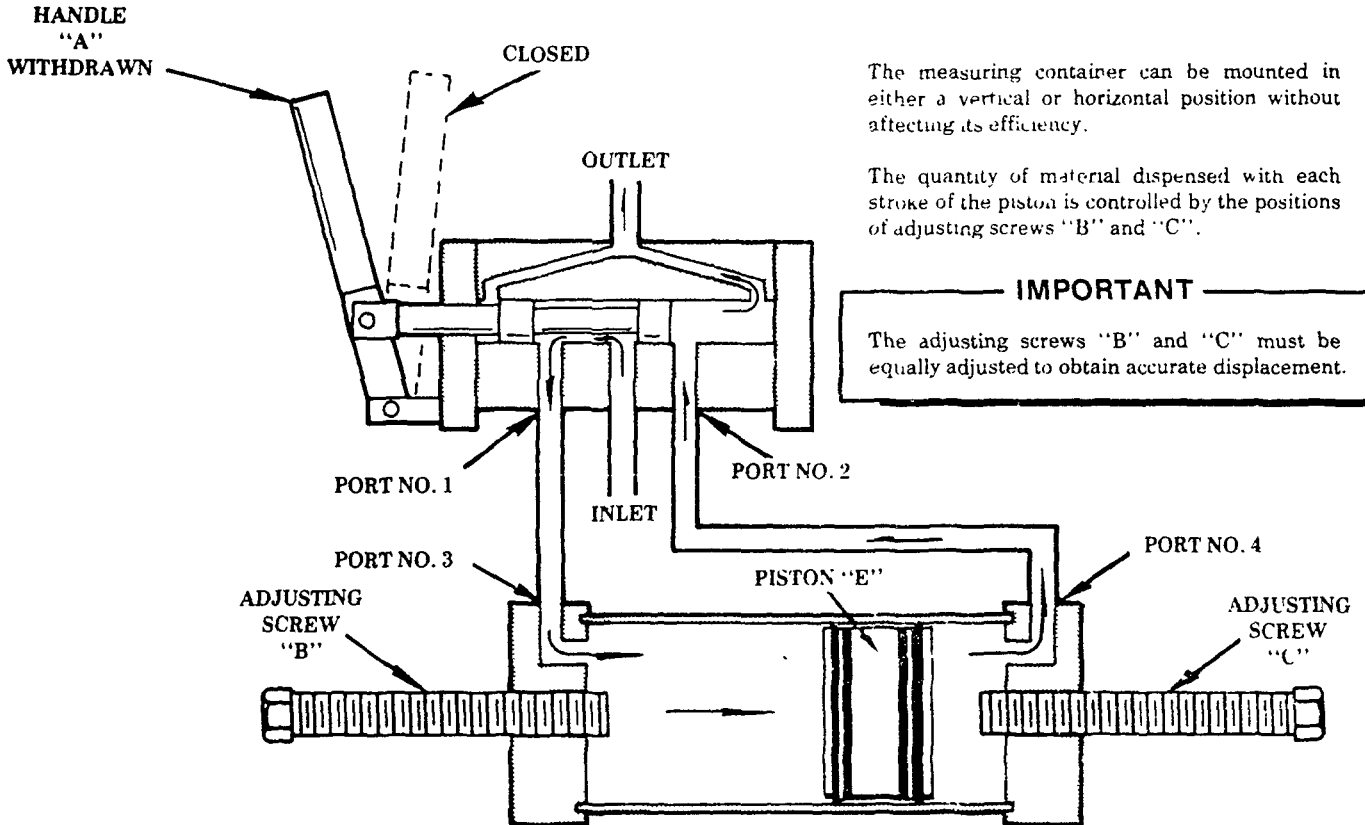
MAX. OPERATING PRESSURE - 5,000 PSI.



CAUTION
When adjusting to desired output, all pressure must be relieved from container.

Model	Capacity	Tie Rod	Measuring Tube	Dimension A	Dimension B
81741	0-4 oz.	12456	61261	8-1/4"	1-1/2"
82232	4-8 oz.	12641	61367	11-15/16"	1-1/2"
82233	8-12 oz.	12642	61368	15-9/32"	1-1/2"

MEASURING CONTAINER (Diagrammatic View)



The measuring container can be mounted in either a vertical or horizontal position without affecting its efficiency.

The quantity of material dispensed with each stroke of the piston is controlled by the positions of adjusting screws "B" and "C".

IMPORTANT

The adjusting screws "B" and "C" must be equally adjusted to obtain accurate displacement.

OPERATION

When handle "A" is withdrawn to its full extent, a passage is opened between the inlet and port no. 1 of the four way valve, permitting the material to flow through the four way valve and into the left end of the measuring chamber through port no. 3. This forces the piston "E" to the right end of the measuring chamber, discharging a measured amount of material through port no. 4 of the measuring chamber to port no. 2 of the four way valve and on through the valve outlet.

When handle is closed to its full extent, a passage is opened between the inlet port and port no. 2 of the four way valve, permitting the material to flow from the pump through the four way valve to the right end of the measuring chamber through port no. 4. This forces the piston "E" to the left end of the measuring chamber, discharging a measured amount of material through port no. 1 of the four way valve and on through the valve outlet.

SERVICE PARTS

Part	Qty.	Description	Part	Qty.	Description
12454	2	Adjusting screw	51020	8	Nut
12455	2	Stop collar	57051	2	Spring
31067	2	Tube gasket	64468-1	2	Mounting bracket
35120	4	Packing	66008	2	Cotter pin
48307	2	Retaining washer	91058	2	End plate
50034	4	Bolt	93384	1	Piston assembly

RETAIN THIS INFORMATION FOR FUTURE REFERENCE

When ordering replacement parts, list: Part Number, Description, Model Number, and Series Letter.

LINCOLN provides a Distributor Network that stocks equipment and replacement parts.