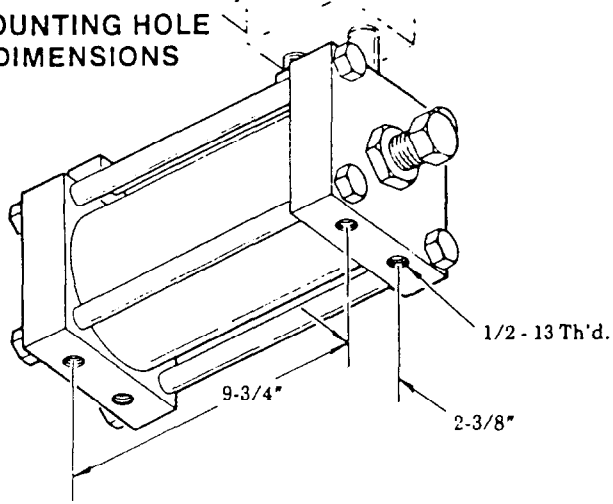
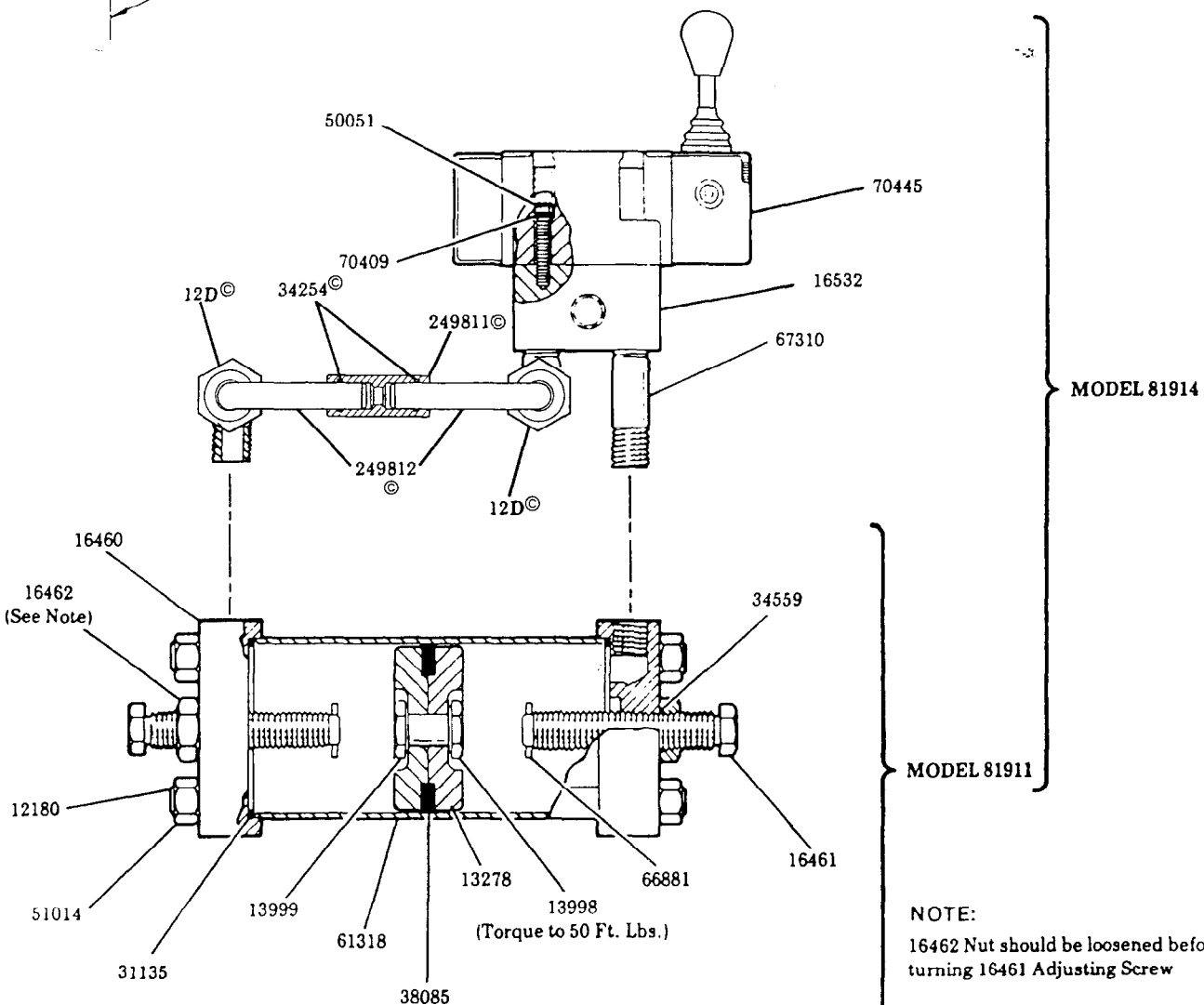


MOUNTING HOLE
DIMENSIONS



SPECIFICATIONS

1-1/2 QUARTS (86 CU. IN.) MAXIMUM OUTPUT.
750 PSI MAXIMUM OPERATING PRESSURE.



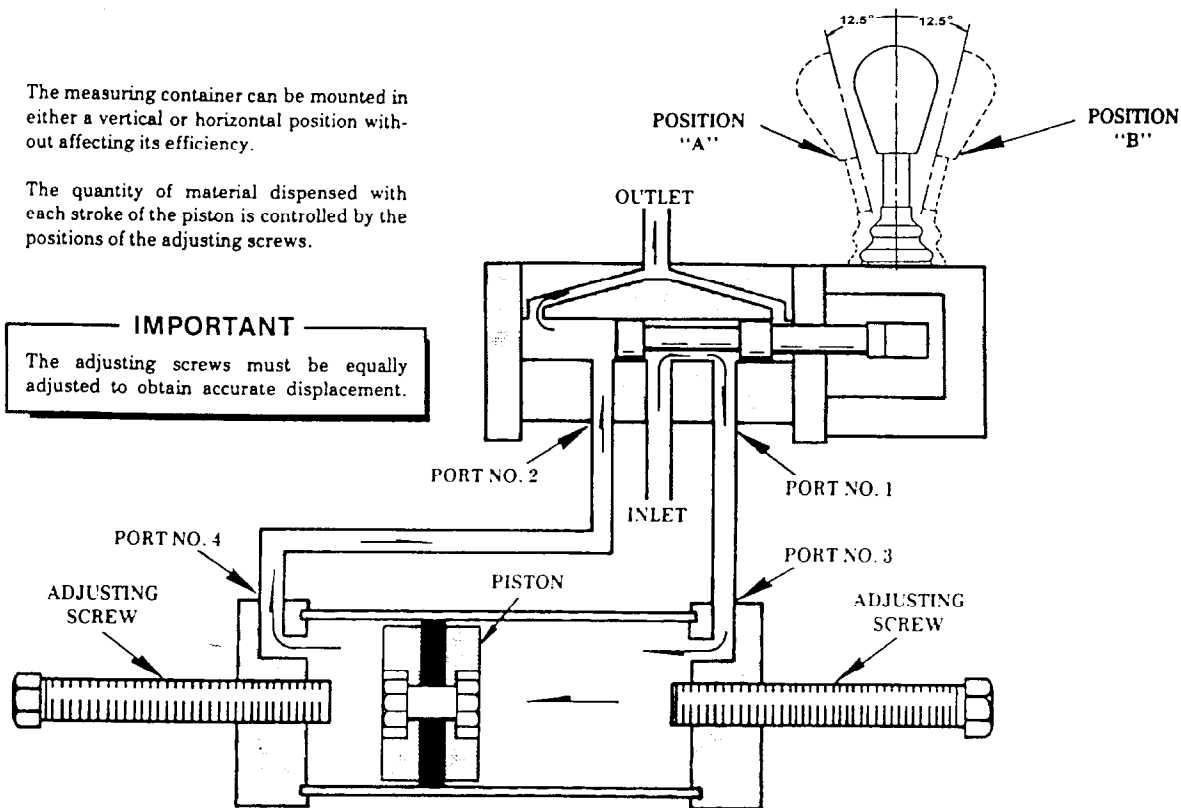
© Indicates change

MEASURING CONTAINER (Diagrammatic View)

The measuring container can be mounted in either a vertical or horizontal position without affecting its efficiency.

The quantity of material dispensed with each stroke of the piston is controlled by the positions of the adjusting screws.

IMPORTANT
The adjusting screws must be equally adjusted to obtain accurate displacement.



OPERATION

When handle is in position "A", a passage is opened between the inlet and port no. 1 of the four way valve, permitting the material to flow through the four way valve and into the right end of the measuring chamber through port no. 3. This forces the piston to the left end of the measuring chamber, discharging a measured amount of material through port no. 4 of the measuring chamber to port no. 2 of the four way valve and on through the valve outlet.

When handle is in position "B", a passage is opened between the inlet port and port no. 2 of the four way valve, permitting the material to flow from the pump through the four way valve to the left end of the measuring chamber through port no. 4. This forces the piston to the right end of the measuring chamber, discharging a measured amount of material through port no. 1 of the four way valve and on through the valve outlet.

SERVICE PARTS

Part	Qty.	Description	Part	Qty.	Description
12D	2	Male elbow tube connector	38085	2	Piston packing
12180	4	Tie rod	50051	4	Screw
13278	2	Piston washer	51014	8	Nut
13998	1	Follower screw	61318	1	Cylinder
13999	1	Nut	66881	2	Roll pin
16460	2	End plate	67310	1	Nipple
16461	2	Adjustment screw	70409	4	Lockwasher
16462	2	Nut	70445	1	Four-way valve
16532	1	Baseplate	81911	1	Hydro-measure assembly
31135	2	Gasket	249811	1	Tube
34254	2	O-ring	249812	2	Elbow
34559	2	O-ring			

RETAIN THIS INFORMATION FOR FUTURE REFERENCE

When ordering replacement parts, list: Part Number, Description, Model Number, and Series Letter.

LINCOLN provides a Distributor Network that stocks equipment and replacement parts.