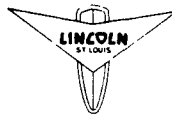
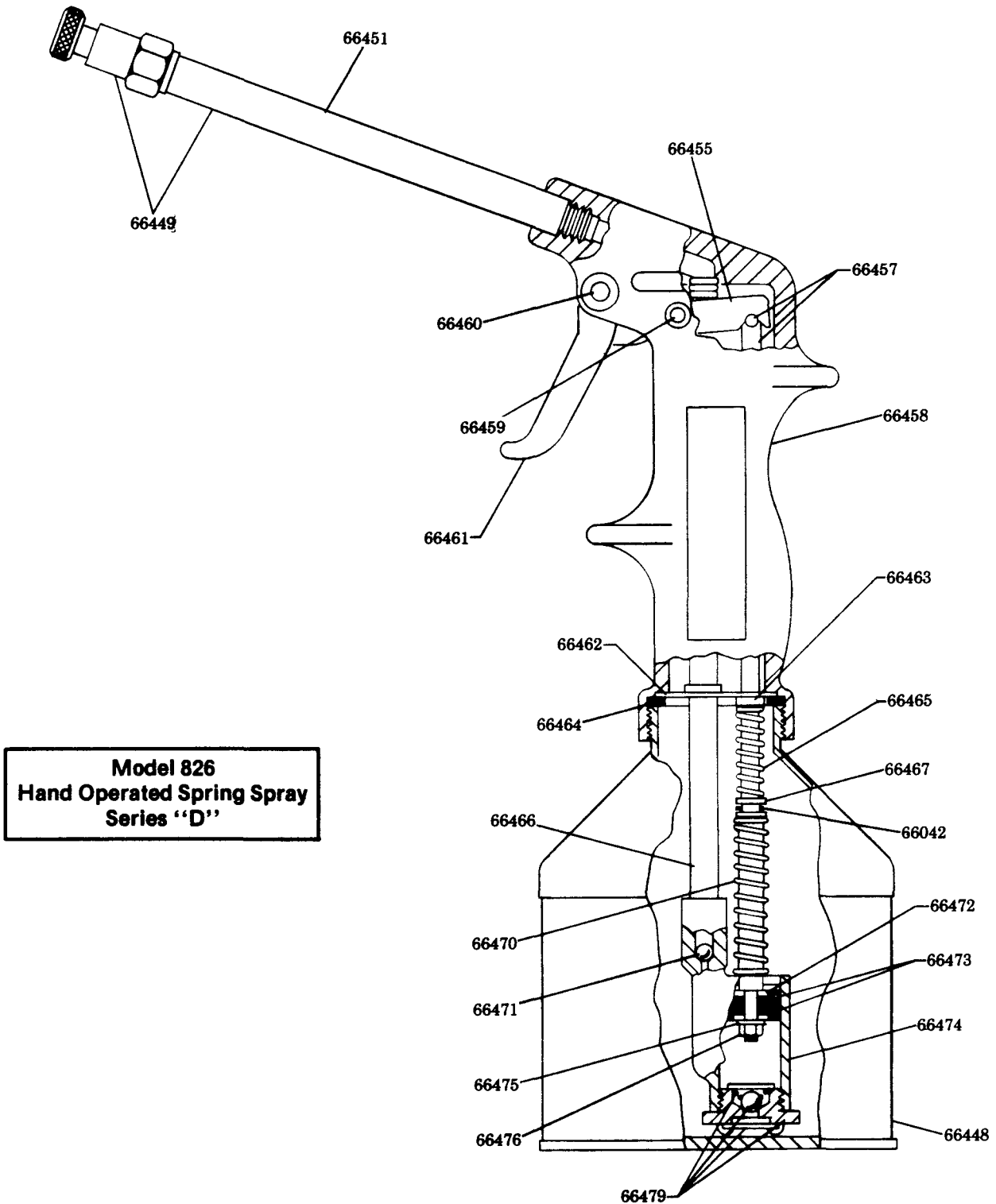


SPRING SPRAY GUNS



Models 825, 826

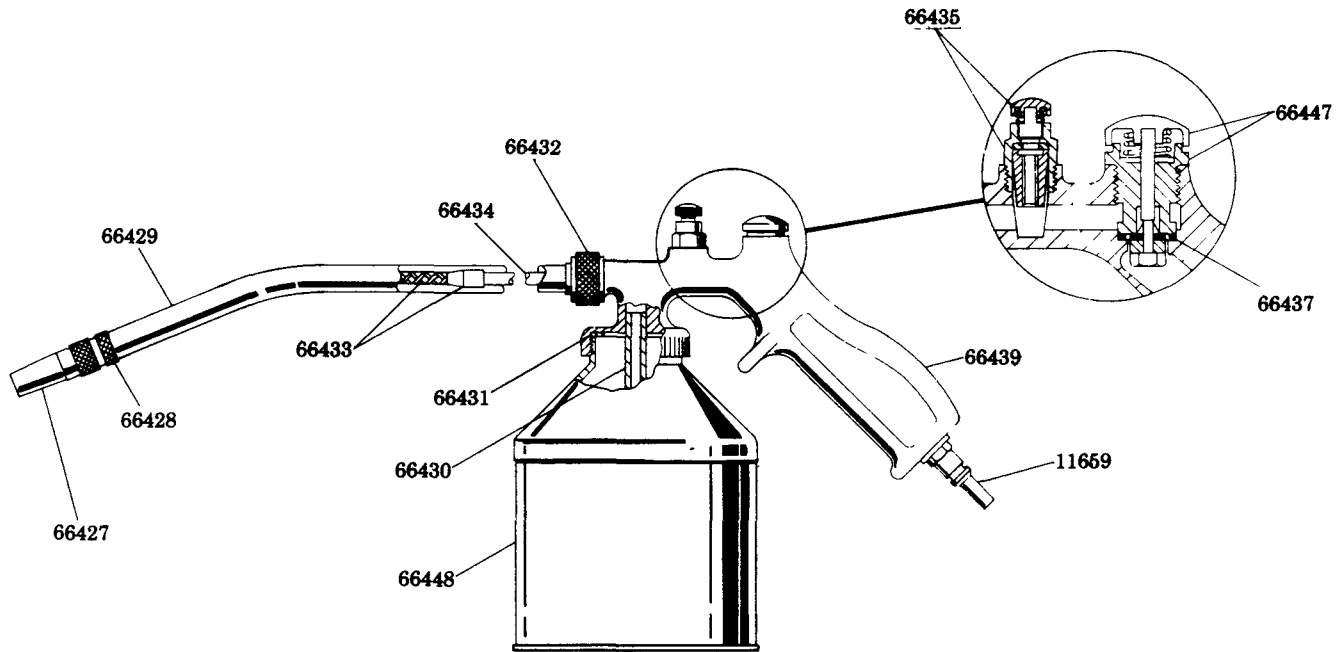


LINCOLN ST. LOUIS
4010 GOODFELLOW BLVD · ST. LOUIS, MO 63120 · (314) 383 5900

A DIVISION OF
McNEIL
CORPORATION

SECTION **-F53**
PAGE **-2H**

**Model 825
Air Operated Spring Spray
Series "C"**



SERVICE PARTS

| PART | QUAN. | DESCRIPTION | PART | QUAN. | DESCRIPTION |
|-------|-------|-------------------------------|-------|-------|----------------|
| 11659 | 1 | Coupler nipple | 66458 | 1 | Gun body |
| 66042 | 1 | Cotter pin | 66459 | 1 | Link pin |
| 66427 | 1 | Nozzle | 66460 | 1 | Trigger pin |
| 66428 | 1 | Lock nut | 66461 | 1 | Trigger |
| 66429 | 1 | Outer tube & bushing assembly | 66462 | 1 | Disc |
| 66430 | 1 | Fluid tube | 66463 | 1 | Packing washer |
| 66431 | 1 | Gasket | 66464 | 1 | Gasket |
| 66432 | 1 | Air tube nut | 66465 | 1 | Upper spring |
| 66433 | 1 | Air tube assembly | 66466 | 1 | Fluid tube |
| 66434 | 1 | Air tube | 66467 | 4 | Washer |
| 66435 | 1 | Air adjusting valve assembly | 66470 | 1 | Lower spring |
| 66437 | 1 | Air valve gasket | 66471 | 1 | Steel ball |
| 66439 | 1 | Gun body assembly | 66472 | 2 | Retainer |
| 66447 | 1 | Air valve assembly | 66473 | 2 | Piston leather |
| 66448 | 1 | Container | 66474 | 1 | Pump housing |
| 66449 | 1 | Nozzle & tube assembly | 66475 | 1 | Lockwasher |
| 66451 | 1 | Extension tube | 66476 | 1 | Hex nut |
| 66455 | 1 | Trigger link | 66479 | 1 | Body & screen |
| 66457 | 1 | Rod & pin assembly | | | |

RETAIN THIS INFORMATION FOR FUTURE REFERENCE

When ordering replacement parts, list: Part Number, Description, Model Number, and Series Letter.
 LINCOLN ST. LOUIS provides a Distributor Network that stocks equipment and replacement parts.
 A list of Authorized Service Departments will be furnished upon request.