

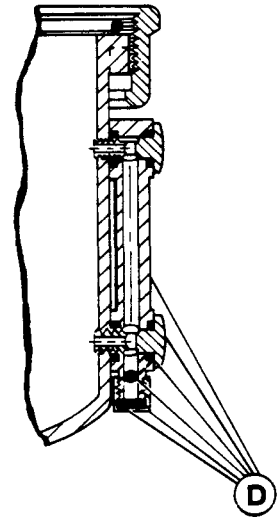
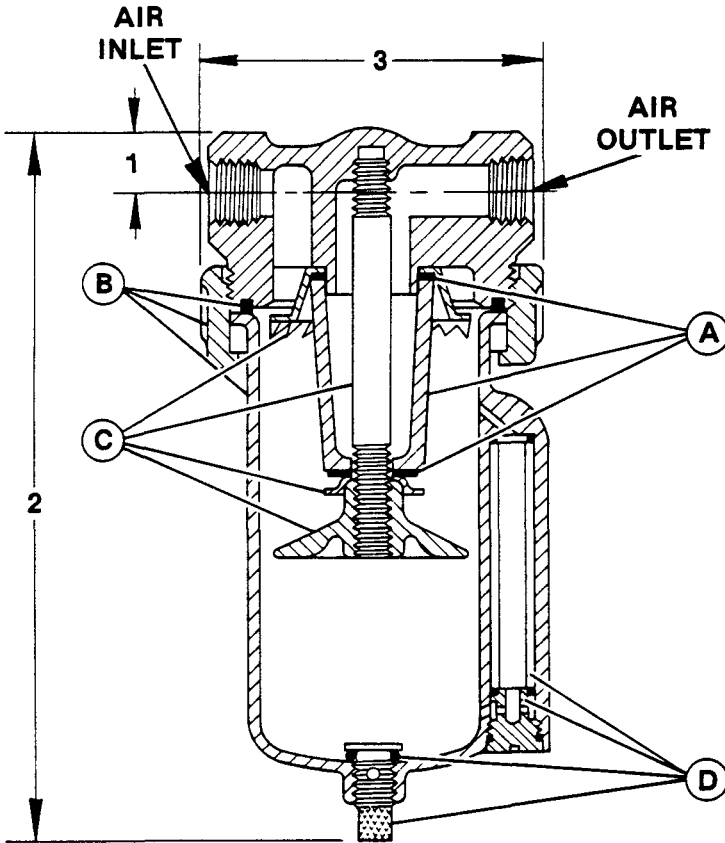
# AIR FILTER

METAL BOWL WITH SIGHT GLASS

# 600100 Series

Model	A Filter Element Kit	B Bowl Kit	C Baffle Kit	**D Sight Glass Kit
600104 600106	600104-153	69047	600104-155	69047-4
600108	600108-153	69048	600108-155	69048-4
600112 600116	600112-153	*69049	600112-155	69049-3

\* Does not include flange ring.  
\*\* Included in bowl kit.



Sight Glass for  
Models 600104 & 600106

MODEL	THREAD SIZE	1	2	3 (DIA.)
600104	1/4" NPT	1/2"	5-5/8"	2-15/16"
600106	3/8" NPT	1/2"	5-5/8"	2-15/16"
600108	1/2" NPT	5/8"	6-1/4"	3-3/4"
600112	3/4" NPT	1"	8-3/4"	4-7/8"
600116	1" NPT	1"	8-3/4"	4-7/8"

**LINCOLN**

© A PENTAIR COMPANY

One Lincoln Way  
St. Louis, Missouri 63120-1578  
(314) 679-4200

SECTION - G10

PAGE - 2J

---

**INSTALLATION** — In piping-up, always be sure pipe ends are reamed clean to assure smooth flow.

Before installing filter —

1. Always blow out line to remove scale and other foreign matter.
2. All filters are supplied with Dryseal pipe thread connections and normally no pipe compound is required. However, if pipe compound is desired as a lubricant, apply only to male threads.
  - a. Install with filter bowl vertical in pipe line so that air flows in direction indicated on filter body. Install ahead of all devices in the line, but as near as practical to the equipment protected. A shut-off valve should be installed ahead of filter.

Operating maximums for metal bowl with sight glass are 250 psi at 150° F.

**MAINTENANCE** — To maintain maximum filter efficiency and to avoid excessive pressure drop, **KEEP FILTER CLEAN**. Periodically, open drain cock and blow-down bowl **BEFORE** liquid or sediment accumulation reaches level of baffle. A visible coating of dirt or condensation on the filter cone or an excessive pressure drop indicates that cleaning of the filter cone is necessary. To clean filter cone, it is not necessary to remove filter from the line.

1. **TO CLEAN FILTER CONE:**

- a. Shut off air supply.
- b. Unscrew flange ring and remove bowl.
- c. Unscrew retaining rod and remove cone.
- d. Wash cone in any cleaning solvent and blow out with compressed air.
- e. Replace cone on retaining rod and screw into body, making sure deflector is in place.
- f. Replace bowl and tighten flange ring.

———— **RETAIN THIS INFORMATION FOR FUTURE REFERENCE** ————

When ordering replacement parts, list: Part Number, Description, Model Number, and Series Letter.

LINCOLN provides a Distributor Network that stocks equipment and replacement parts.

A list of Authorized Service Departments will be furnished upon request.