

# AIR CONTROL VALVE

Model 68557  
Series "D"

The Model 68557 is an AIR CONTROL VALVE that can be used for controlling the AIR SUPPLY to AIR OPERATED EQUIPMENT. It provides a quick, positive shut-off of AIR to the EQUIPMENT and exhausts all AIR trapped in the line from the EQUIPMENT to the CONTROL VALVE OUTLET.

Both INLET and OUTLET have 1/4" N.P. Thds. and may be adapted to lines of other dimensions.

## INSTALLATION

Locate AIR CONTROL VALVE and fasten to wall at a height which is convenient for the operator. Use the AIR CONTROL VALVE as a TEMPLATE to mark location for the MOUNTING SCREWS.

Run AIR SUPPLY LINE to INLET PORT of the VALVE and from OUTLET PORT of the VALVE to the EQUIPMENT. Use a SEALING COMPOUND to insure AIR TIGHT SEALS at all JOINTS and CONNECTIONS.

## OPERATION

When VALVE KNOB is pulled "OUT", VALVE opens and AIR entering INLET PORT passes around VALVE STEM and out OUTLET PORT to the EQUIPMENT.

When VALVE KNOB is pushed "IN", VALVE closes, shutting off AIR SUPPLY at the INLET. AIR trapped in SUPPLY LINE to the EQUIPMENT returns through OUTLET and is exhausted around STEM of VALVE into ATMOSPHERE.

## MAINTENANCE

**CAUTION:** Shut off Air Supply at Air Compressor before servicing AIR CONTROL VALVE.

To replace packings in VALVE, remove 12356 PACKING RETAINER. VALVE STEM, SPACERS, PACKINGS and PACKING SPACERS may be removed.

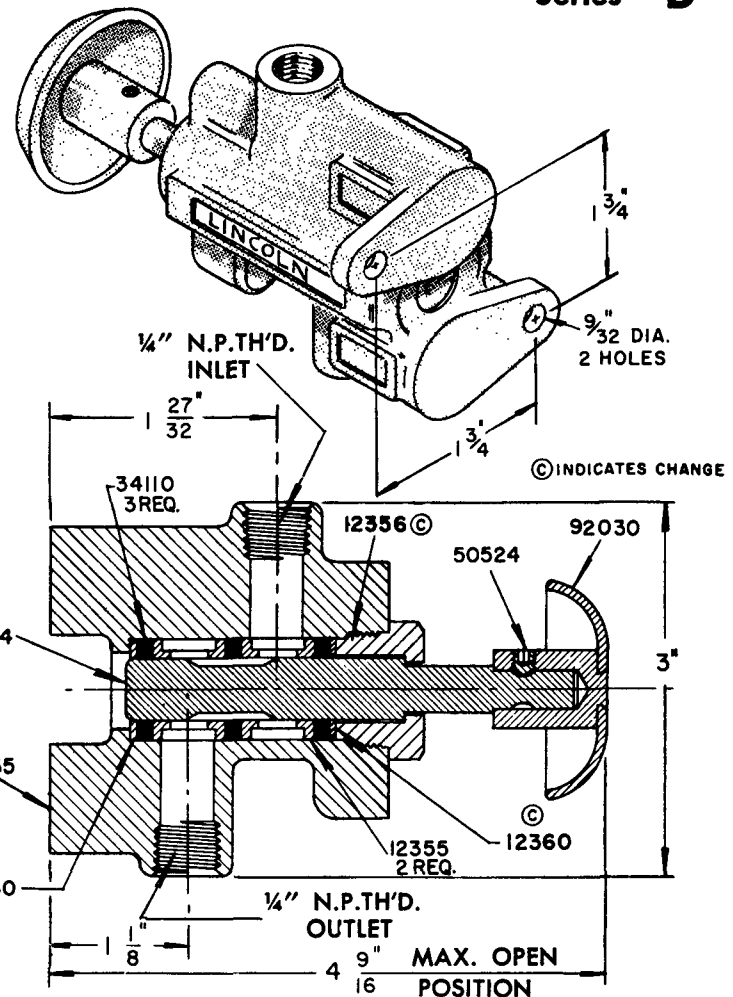
**NOTE:** When servicing AIR VALVE, Lubricate 34110 PACKINGS use N.I.G.I. (light grade) water repellent Grease. This will increase service life of the packings and result in easier operation of 12354 VALVE STEM.

## REPAIR PARTS LIST

| PART NO. | DESCRIPTION      | PART NO. | DESCRIPTION      |
|----------|------------------|----------|------------------|
| 12354    | Valve Stem       | 34110    | Packing          |
| 12355    | Packing Spacer   | 40535    | Valve Body       |
| 12356    | Packing Retainer | 50524    | Set Screw        |
| 12360    | Spacer           | 92030    | Knob and Adapter |

### RETAIN THIS INFORMATION FOR FUTURE REFERENCE

When ordering Replacement Parts, List Part Numbers, Description, Model Number, and Series Letter.  
LINCOLN ST. LOUIS Provides a Distributor Network that stocks Equipment and Replacement Parts.  
Repairs by Authorized Service Depts. List furnished upon request.



**LINCOLN**  
A PENTAIR COMPANY

One Lincoln Way  
St. Louis, Missouri 63120-1578  
(314) 679-4200

SECTION - G7  
PAGE - 1C