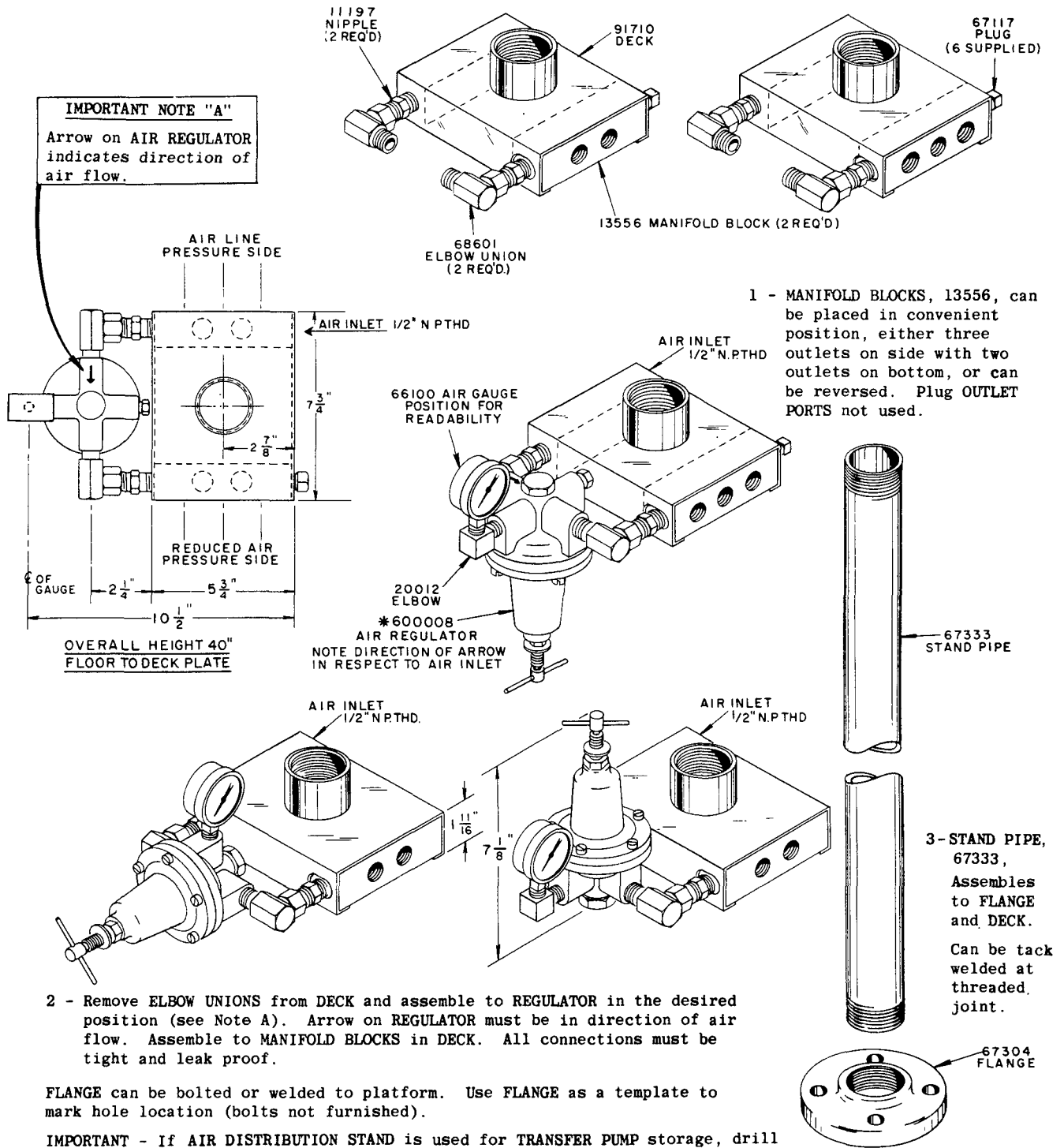


AIR DISTRIBUTION STAND



Model 82997



2 - Remove ELBOW UNIONS from DECK and assemble to REGULATOR in the desired position (see Note A). Arrow on REGULATOR must be in direction of air flow. Assemble to MANIFOLD BLOCKS in DECK. All connections must be tight and leak proof.

FLANGE can be bolted or welded to platform. Use FLANGE as a template to mark hole location (bolts not furnished).

IMPORTANT - If AIR DISTRIBUTION STAND is used for TRANSFER PUMP storage, drill 1/2" Dia. hole through platform deck at center of hole circle for drain of drippage from TRANSFER PUMP.

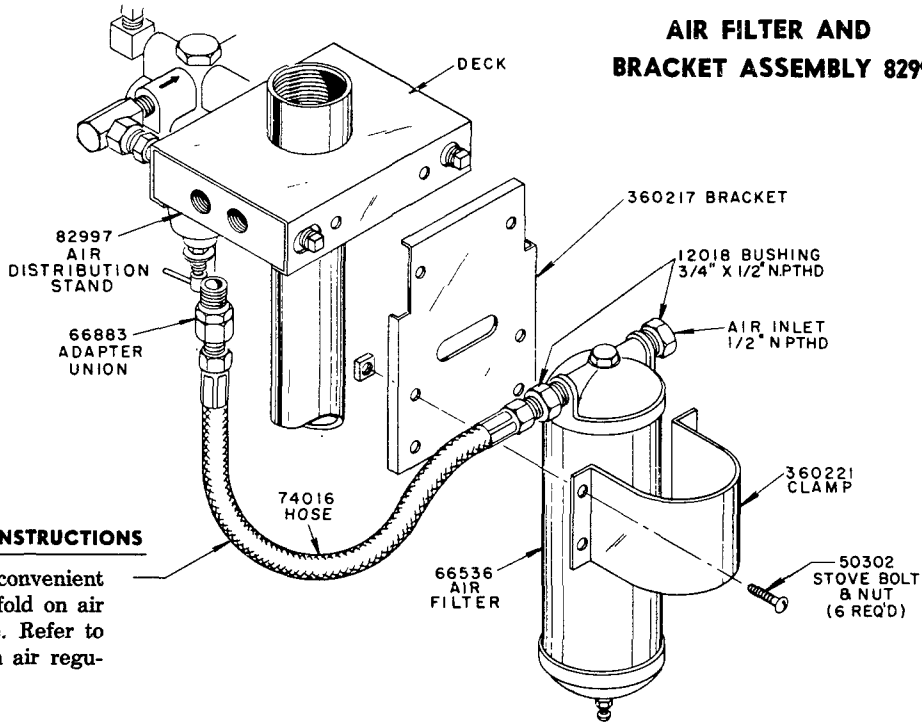
*600008 AIR REGULATOR - Refer to service manual page, section G10, page 1 series.

LINCOLN ST. LOUIS
4010 GOODFELLOW BLVD. • ST. LOUIS, MO. 63120 • (314) 383-5900



SECTION - **G8**
PAGE - **1B**

AIR FILTER AND BRACKET ASSEMBLY 82999



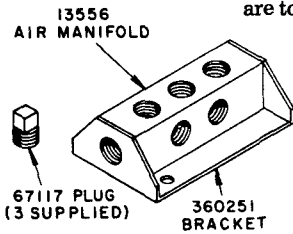
INSTALLATION INSTRUCTIONS

Assemble hose to convenient inlet port of manifold on air line pressure side. Refer to arrow direction on air regulator.

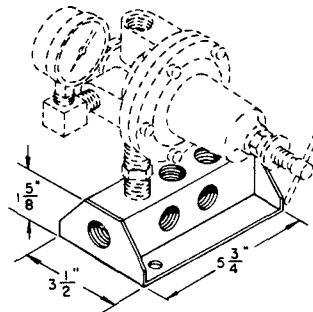
Assemble 360217 Bracket to holes in side flange of the air distribution stand deck. Hold air filter to bracket with clamp. Connect air hose to air distribution stand.

AIR MANIFOLD 82975

Can be used with or without the air distribution stand.

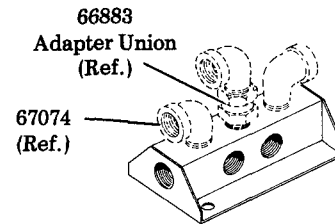


Outlet ports not used are to be plugged.



The 600008 Air Regulator, 11197 Nipple, 20012 Elbow and 66100 Air Gauge can be used to reduce air pressure.

Refer to illustration when installing three street ells.



Use manifold bracket as a template to mark hole locations. Mounting screws are not included.

SERVICE PARTS

PART	DESCRIPTION	PART	DESCRIPTION
11197	Nipple	67304	Floor Flange
12018	3/4" x 1/2" N.P. Th'd. Bushing	67333	Stand Pipe
13556	Air Manifold	68601	90° Elbow Union
20012	Street Elbow	74016	Air Hose
50302	Stove Bolt & Nut	91710	Deck
66100	Air Pressure Gauge	360217	Bracket
66536	Air Filter	360221	Clamp
66883	Adapter Union	360251	Support Bracket
67117	1/2" Pipe Plug	600008	Air Regulator

RETAIN THIS INFORMATION FOR FUTURE REFERENCE

When ordering replacement parts, list: Part Number, Description, Model Number, and Series Letter.

LINCOLN ST. LOUIS provides a Distributor Network that stocks equipment and replacement parts.

A list of Authorized Service Departments will be furnished upon request.