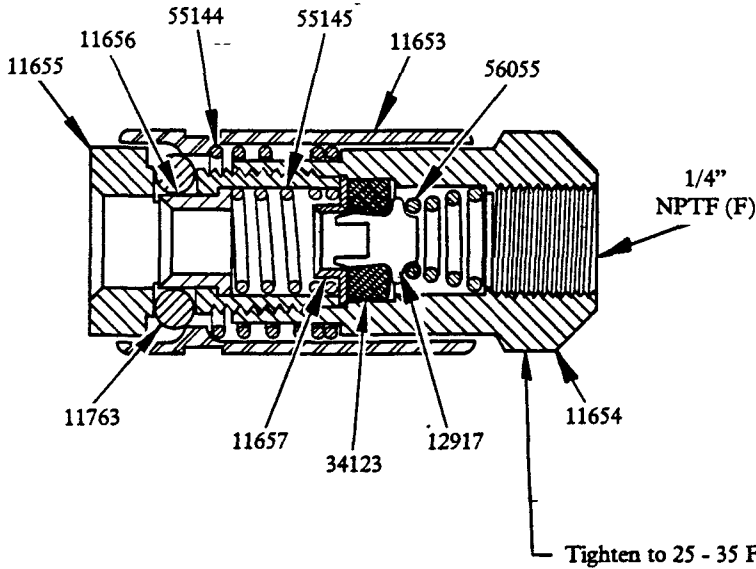


815

AIR COUPLERS

MODEL 815

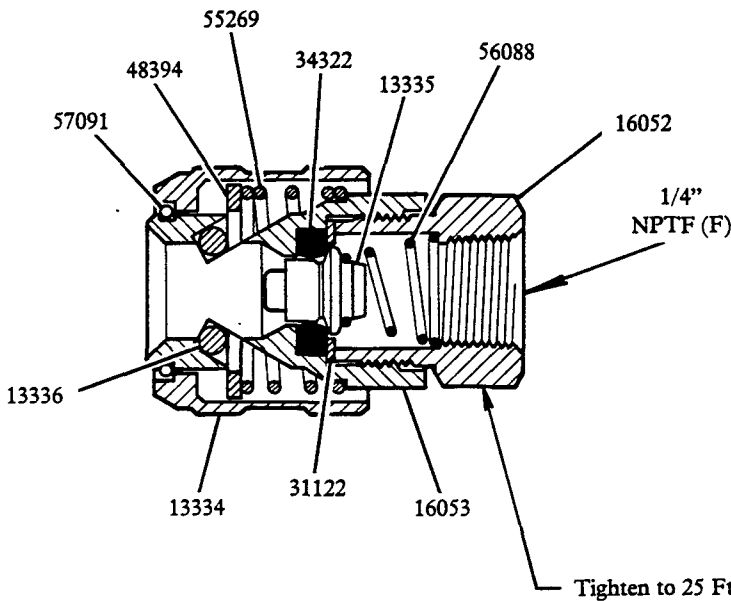


SERVICE PARTS

PART	QUAN.	DESCRIPTION
11653	1	Coupler sleeve assembly
11654	1	Check housing
11655	1	Pin housing
11656	1	Pin retainer
*11657	1	Packing washer
*11763	2	Coupling pin
*12917	1	Air check
*34123	1	Check packing
55144	1	Sleeve spring
*55145	1	Retaining spring
56055	1	Check spring

*Included in 81777 Repair Kit

MODEL 862



SERVICE PARTS

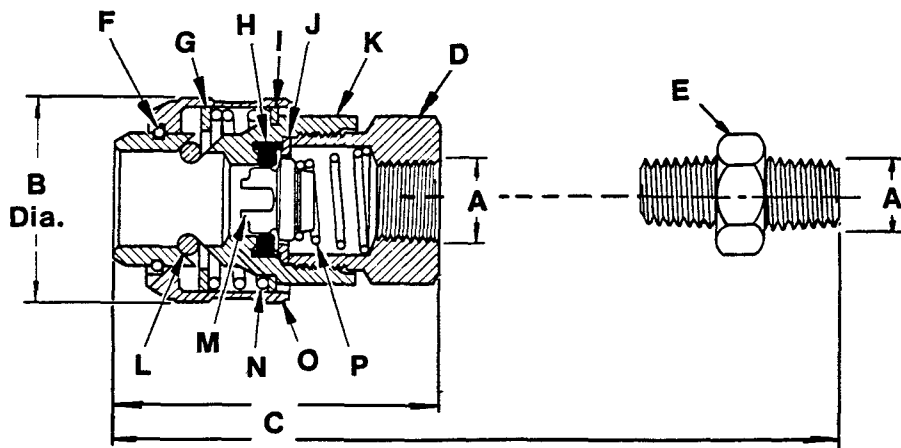
PART	QUAN.	DESCRIPTION
13334	1	Sleeve
*13335	1	Air check
*13336	2	Pin
16052	1	Adapter
16053	1	Coupler body
31122	1	Gasket
*34322	1	"D" Packing
*48394	1	Washer
55269	1	Spring
*56088	1	Check spring
*57091	1	Ring spring

*Included in 83016 Repair Kit.

LINCOLN

LINCOLN, One Lincoln Way
 St. Louis, Missouri 63120-1578
 (314) 679-4200 Customer Service, (314) 679-4300

SECTION - **G9**
 PAGE - **2B**



COUPLER	NIPPLE	SIZE
MODEL 815	11659	1/4" NPTF (M)
	11660	1/8" NPTF (M)
	11661	1/4" NPTF (F)
MODEL 862	13329	1/4" NPTF (M)
	13330	1/8" NPTF (M)
	13331	1/4" NPTF (F)
63 SERIES	630102	1/8" NPTF (M)
	630104	1/4" NPTF (M)
	630204	1/4" NPTF (F)
64 SERIES	640104	1/4" NPTF (M)
	640106	3/8" NPTF (M)
	640204	1/4" NPTF (F)
	640206	3/8" NPTF (F)
65 SERIES	650106	3/8" NPTF (M)
	650108	1/2" NPTF (M)
	650112	3/4" NPTF (M)
	650208	1/2" NPTF (F)

MODELS

SOCKET	A	B	C	D	E
631006	3/8" NPTF (M)	1-1/8"	2-13/16"	13341	10773
632004	1/4" NPTF (F)	1-1/8"	1-13/16"	13341	—
642006	3/8" NPTF (F)	1-5/16"	2-1/16"	13631	—
651006	3/8" NPTF (M)	1-1/2"	3-25/32"	13326	11107
652008	1/2" NPTF (F)	1-1/2"	2-21/32"	13326	—
652012	3/4" NPTF (F)	1-1/2"	2-15/16"	13390	—

CODE	DESCRIPTION	63 SERIES	64 SERIES	65 SERIES
F	Retaining ring	57091	57099	69784
G	Washer	48394	48415	48382
H	"D" Packing	34335	34348	34319
I	Washer	48395	48416	48380
J	Gasket	31122	31133	31117
K	Socket body	13340	13635	13325
L	Pin	13336	13632	13328
M	Air check	13335	13633	13327
N	Spring	55269	55287	55268
O	Sleeve	13342	13634	13324
P	Spring	56088	56094	56078