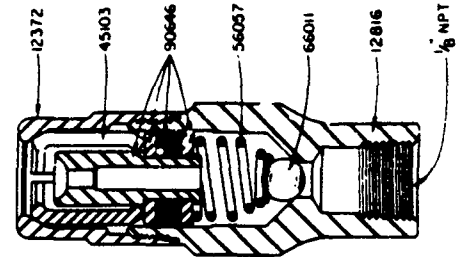
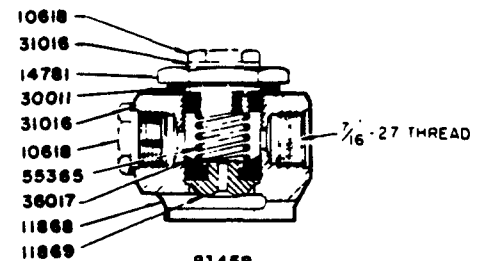


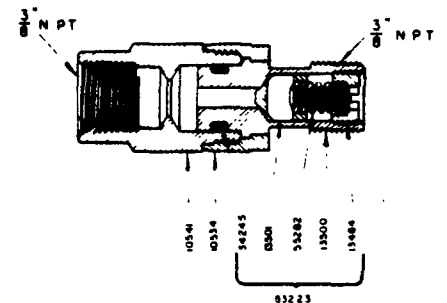
**HIGH PRESSURE
(30 LB. LUBRICANT CAPACITY)**



**5845
HYDRAULIC COUPLER
USED WITH MODELS 1273A, 1273D**

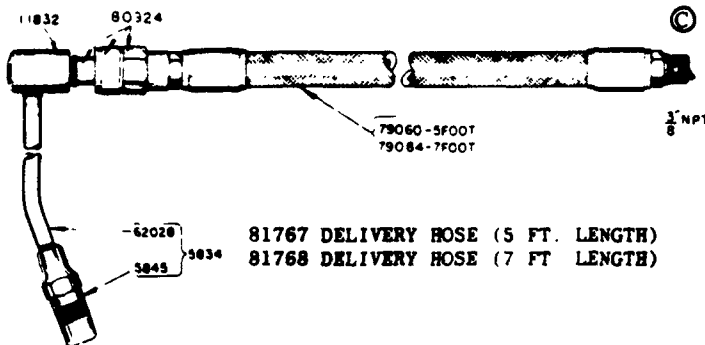


**81458
BUTTONHEAD COUPLER
USED WITH MODEL 1273C**



**80924
CHECK AND SWIVEL**

© Indicates change



MODEL 1273A INCLUDES MODEL 1272 AND 81767
MODEL 1273C INCLUDES MODEL 1272 AND 81763
MODEL 1273D INCLUDES MODEL 1272 AND 81768

