

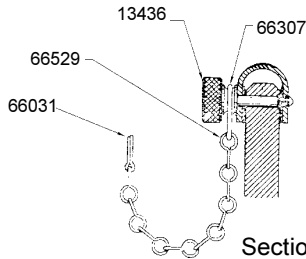


DUAL PRESSURE BUCKET PUMPS (40 LB. CAPACITY) Models 1275, 1276 Series "A"

KNURLED HANDLE PIN
ASSEMBLED IN

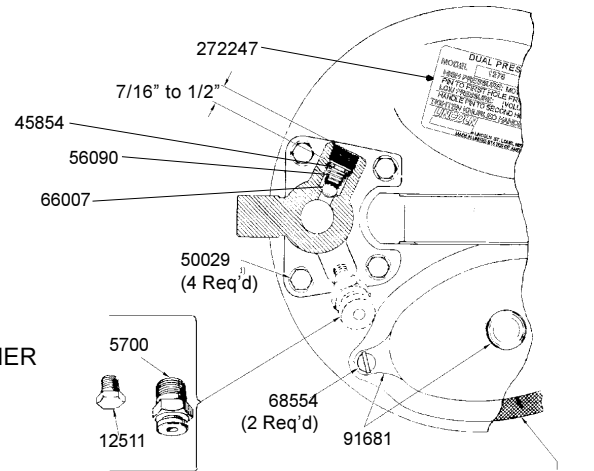
LUBRICANT PRESSURE
 { FIRST HOLE FROM TOGGLE = 5000 PSIG HIGH PRESSURE
 { SECOND HOLE FROM TOGGLE 2200 PSIG LOW PRESSURE (VOLUME)

MODEL 1275 IS WITHOUT 81168 HOSE ASSEMBLY AND
 MODEL 1276 INCLUDES 81168 HOSE ASSEMBLY.

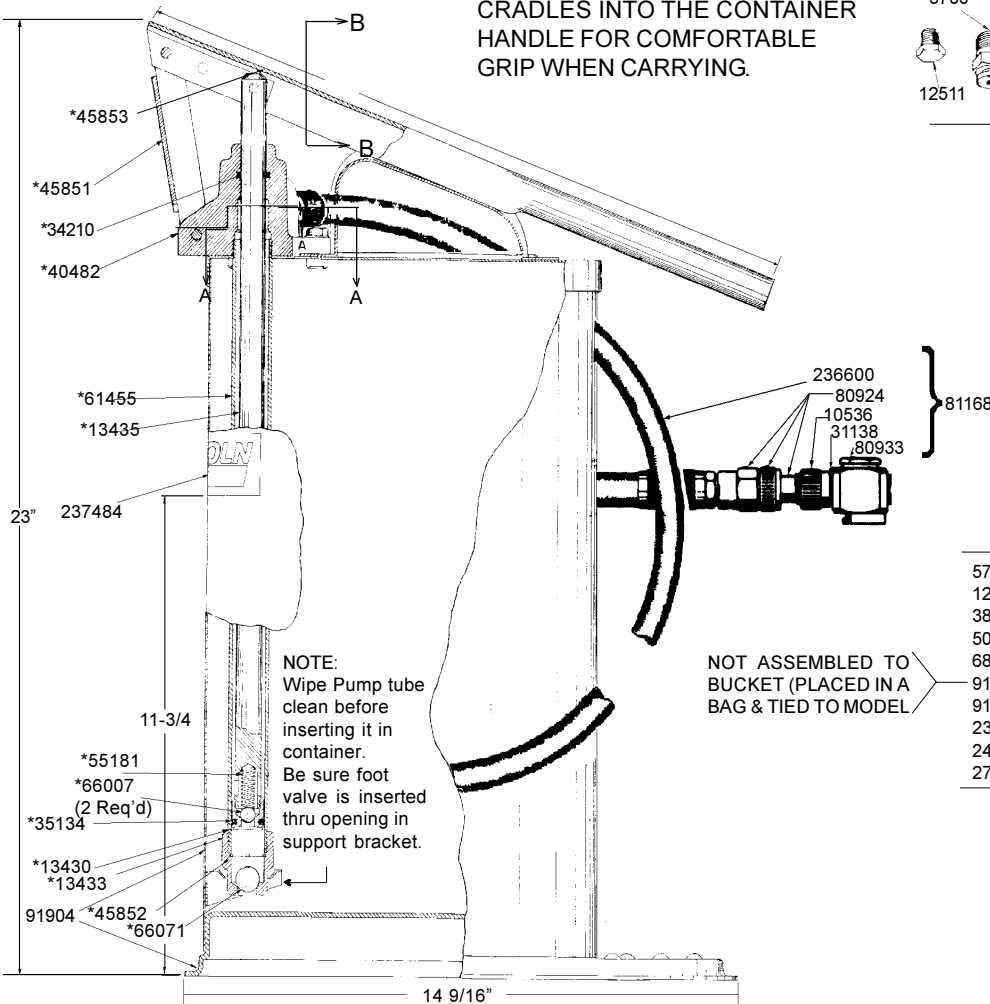


Section B-B

NOTE: LEVER HANDLE
 CRADLES INTO THE CONTAINER
 HANDLE FOR COMFORTABLE
 GRIP WHEN CARRYING.



Section A-A



NOTE:
 Wipe Pump tube
 clean before
 inserting it in
 container.
 Be sure foot
 valve is inserted
 thru opening in
 support bracket.

NOT ASSEMBLED TO
 BUCKET (PLACED IN A
 BAG & TIED TO MODEL

* Included in 83208
 Bucket Pump Assembly

- | | |
|--------|------------|
| 5700 | MODEL 1275 |
| 12511 | |
| 38090 | |
| 50029 | |
| 68554 | |
| 91681 | |
| 91904 | |
| 237484 | |
| 248158 | |
| 272247 | |
| 81168 | MODEL 1276 |

NOTE:
 5700 and 12511 Buttonhead Fittings are
 enclosed in bag attached to model. Install
 one or the other of the Buttonhead Fittings
 as a Hose Hanger", discarding the one that
 does not fit your hose assembly.

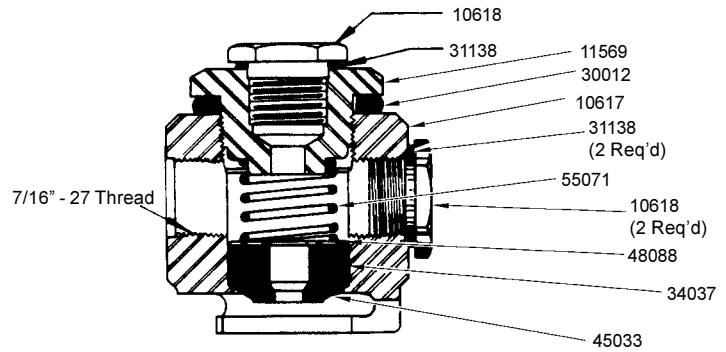
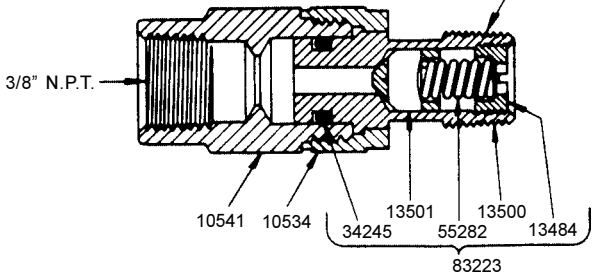


One Lincoln Way
 St. Louis, MO 63120-1578
 Phone +1.314.679.4200
 Fax +1.800.424.5359

Copyright 2002

Section - J24
 Page - 20B

80924
CHECK & SWIVEL ASSEMBLY



ASSEMBLE HANDLE AND HOSE TO BUCKET PUMP

The bucket pump is shipped in one carton with the lever handle and delivery hose detached.

- 1) Assemble open end of the 5 ft delivery hose into the pump outlet of the pump body.
- 2) For low pressure (volume) delivery (2200 PSIG) insert Knurled Handle Pin 13436 into the second hole in handle from toggle.
- 3) For high pressure delivery (5000 PSIG) insert Knurled Handle Pin 13436 into the first hole in Handle from toggle. Tighten Pin securely.
- 4) Align lower hole of the Toggle with hole in protruded portion of the pump outlet body and insert Toggle Pin 13434. Use Cotter Key to lock Pin in place.

TO FILL CONTAINER (40 lb capacity)

Loosen Thumb Screw and slide Cover to expose large opening in top of Container. After Container is filled, close Cover over opening and tighten Thumb Screw securely.

CAUTION USE CLEAN LUBRICANTS ONLY

OPERATION

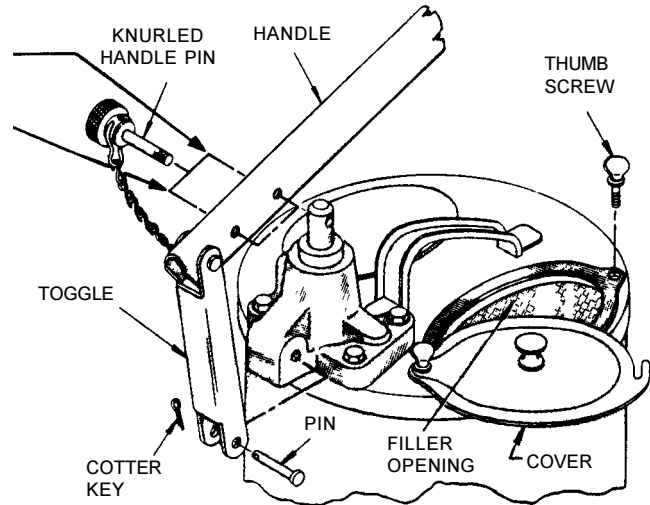
The pump is operated by an up and down movement of the Lever Handle. To get the maximum lubricant output, use full pump strokes ranging from the topmost position to the bottom stop. The long handle provides leverage for ease in operation.

SERVICE OF LOWER PUMP TUBE

Loss of volume or pressure indicates lubricant container may be empty. Foreign material may be lodged under the Ball Check 66071 in the Foot Valve or under the Piston Check Ball 66007 in Piston Assembly.

Remove parts for inspection and clean. If Piston Packing 35134 is scored or worn, remove and replace.

80933
GIANT BUTTONHEAD COUPLER



SERVICE OF PUMP OUTLET CHECK

Foreign material may also be lodged in the pump outlet check. To remove and clean the Ball Check 66007 in the pump outlet, it will be necessary to remove the delivery hose and use either a screw driver or a piece of 1/4 square stock to remove the Spring Seat 45854. Clean parts thoroughly and re-assemble.

If lubricant is by-passing between Piston Rod 13435 and 34210 "O" ring, Piston Rod may be scored and 34210 "O" ring worn. Replace if necessary.

REPAIR PARTS LIST

PART NO	DESCRIPTION	PART NO	DESCRIPTION	PART NO.	DESCRIPTION
5700	Buttonhead Fitting	34037	Giant Packing	61455	Pump Tube
10534	Swivel Collar	34210	O-Ring	66007	Steel Ball
10536	Swivel Adapter	34245	O-Ring Packing	66031	Cotter Pin
10541	Coupling Adapter	35134	Piston Packing	66071	Steel Ball
10617	Nozzle Body	38090	Cover Gasket	66307	Free Ring Loop
10618	Nozzle Body Plug	40482	Outlet Body	66529	Chain
11569	Body Cap	45033	Giant Packing Washer	68554	Thumb Screw
12511	Buttonhead Fitting	45851	Toggle	80924	Check & Swivel
13430	Piston	45852	Ball Retainer	80933	Buttonhead Coupler
13433	Check Body	45853	Lever Handle Assembly	81168	Hose Assembly
13434	Toggle Pin	45854	Spring Seat	83208	Pump Assembly
13435	Plunger	48088	Packing Washer	83223	Swivel Stud Assembly
13436	Toggle Pin Assembly	50029	Hex. Hd. Screw	91681	Cover Plate Assembly
13484	Check Seat	55071	Spring	91904	Container Assembly
13500	Swivel Stud	55181	Check Spring	236600	Hose Assembly
13501	Check	55282	Check Spring	237484	Decal
30012	Gasket	56090	Outlet Check Spring	272247	Name Plate
31138	Plug Gasket				