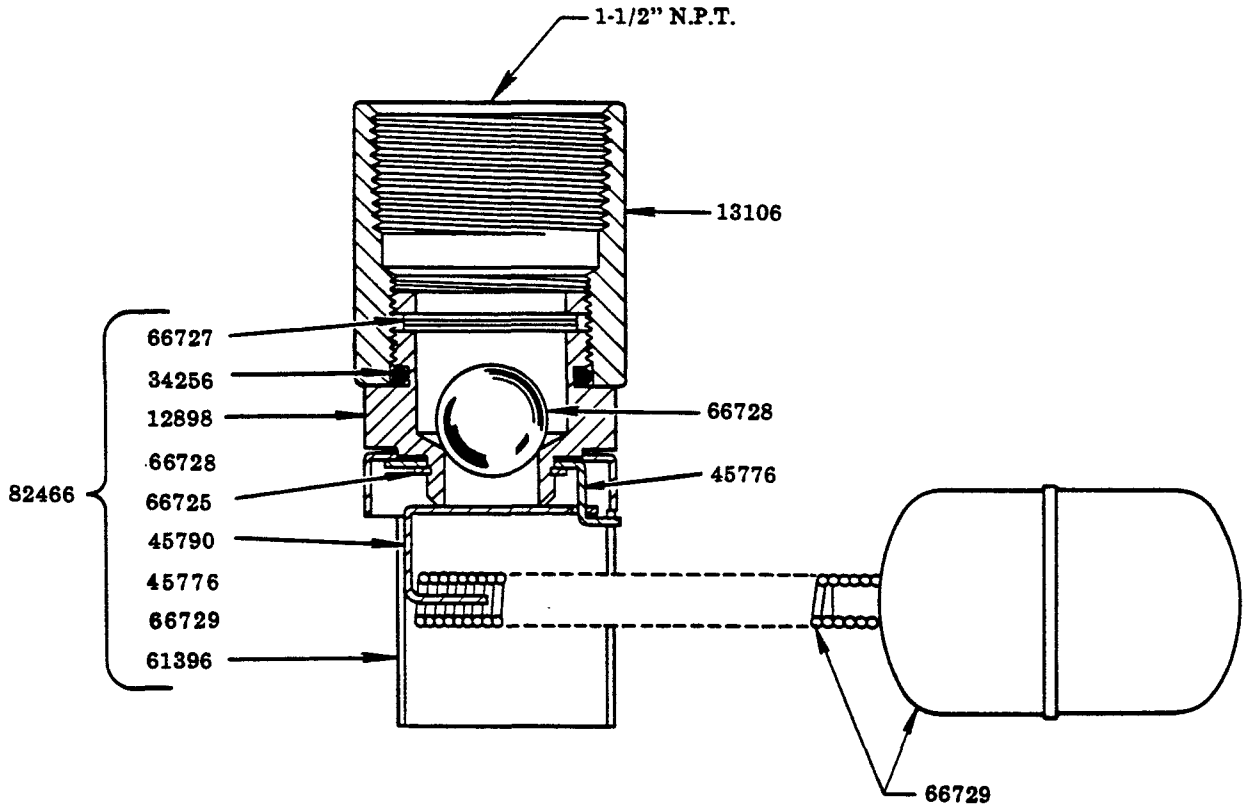


LOW LEVEL CUT-OFF

Model 82439



SERVICE PARTS

PART NO.	QUAN.	DESCRIPTION
12898	1	Valve Body
13106	1	Adapter Bushing
34256	1	O-Ring
45776	1	Toggle Bracket
45790	1	Valve Toggle
61396	1	Valve Tube
66725	1	Tru-Arc Retaining Ring
66727	1	Roll Pin
66728	1	Steel Ball
66729	1	Float & Spring Arm
82466	1	Low Level Cut-Off

RETAIN THIS INFORMATION FOR FUTURE REFERENCE

When ordering replacement parts, list: Part Number, Description, Model Number, and Series Letter.
LINCOLN ST. LOUIS provides a Distributor Network that stocks equipment and replacement parts.
 A list of Authorized Service Departments will be furnished upon request.



LINCOLN, One Lincoln Way
 St. Louis, Missouri 63120-1578
 (314) 679-4200 Customer Service, (314) 679-4300

SECTION - **K1**
 PAGE - **1**