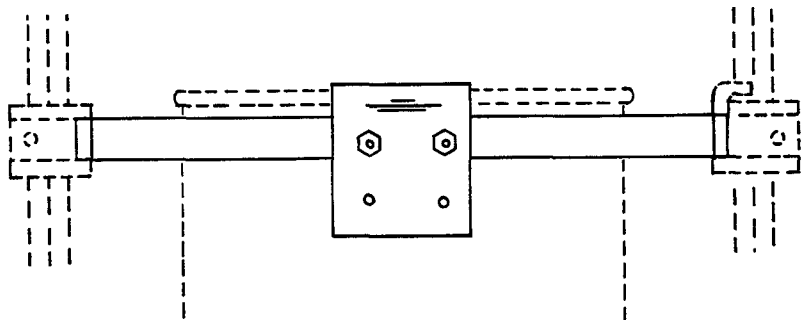
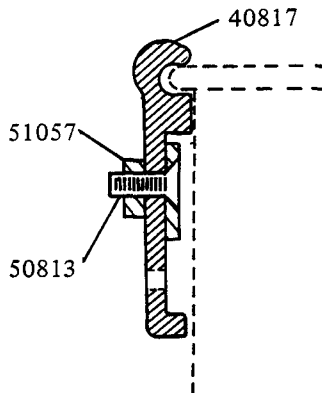
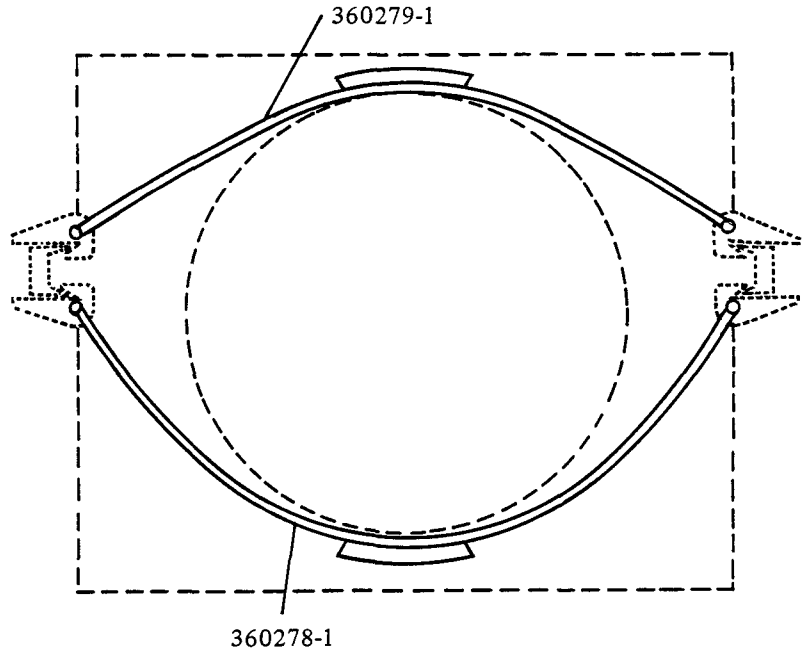


FOR STRAIGHT SIDED DRUMS
ON 400 LB. DRUM PRESSURE PRIMERS

MODEL 84167 HOLD-DOWN KIT

For models 1704 & 83274
Single Post Pressure Primers

- 1) Remove hold-down straps from pressure primer and replace with 84167 hold-down kit. NOTE: Front and rear straps are different and must be replaced with strap of same shape.
- 2) Adjust height of strap brackets so that top rim of drum is firmly gripped by the grooves in the drum hold-downs.



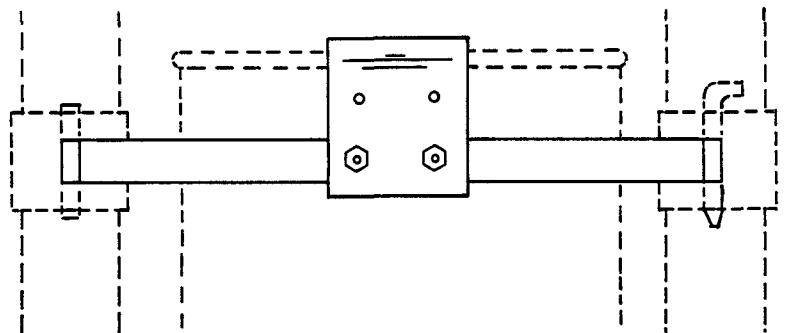
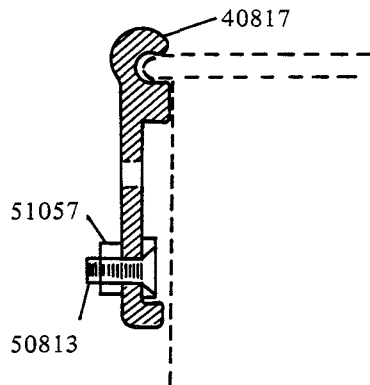
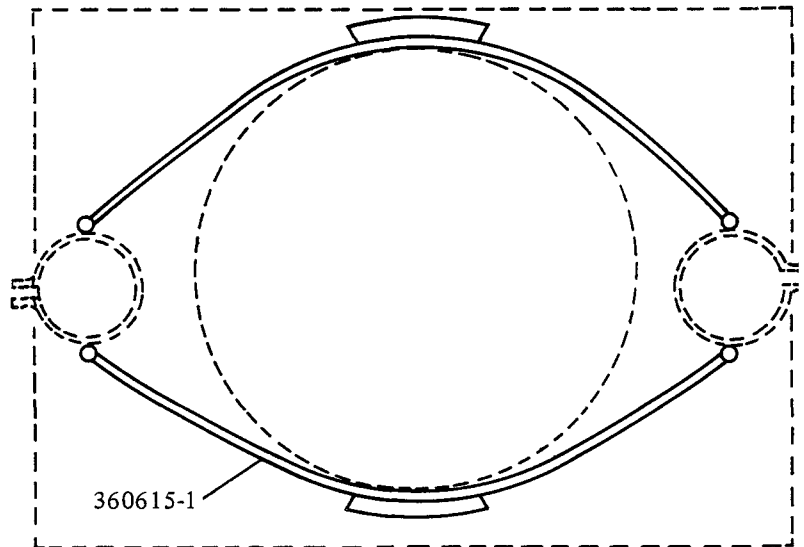
SERVICE PARTS

PART	QUAN	DESCRIPTION
40817	2	Drum hold-down
50813	4	Screw
51057	4	Locknut
360278-1	1	Front strap
360279-1	1	Rear strap

MODEL 84503 HOLD-DOWN KIT

For models 1735 & 1736
Twin Post Pressure Primers

- 1) Remove hold-down straps from pressure primer and replace with 84503 hold-down kit.
NOTE: Front and rear straps are identical.
- 2) Adjust height of strap brackets so that top rim of drum is firmly gripped by the grooves in the drum hold-downs.



SERVICE PARTS

PART	QUAN	DESCRIPTION
40817	2	Drum hold-down
50813	4	Screw
51057	4	Locknut
360615-1	2	Strap

RETAIN THIS INFORMATION FOR FUTURE REFERENCE

When ordering replacement parts, list: Part Number, Description, Model Number, and Series Letter.

LINCOLN provides a Distributor Network that stocks equipment and replacement parts.

A list of Authorized Service Departments will be furnished upon request.