

**FOR STRAIGHT SIDED DRUMS ON
400 LB. DRUM PRESSURE PRIMERS**

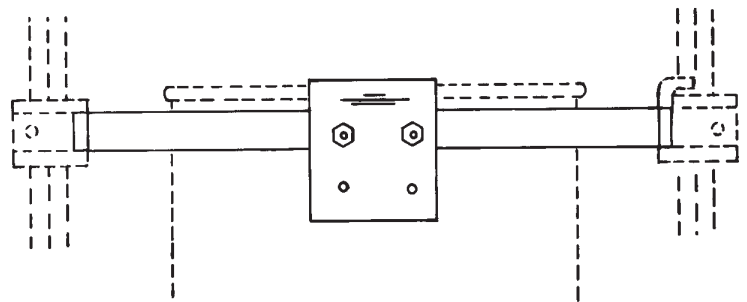
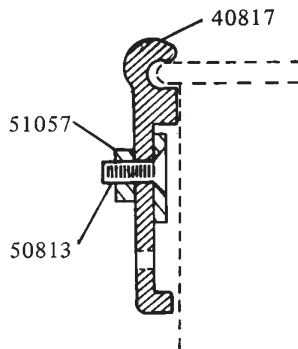
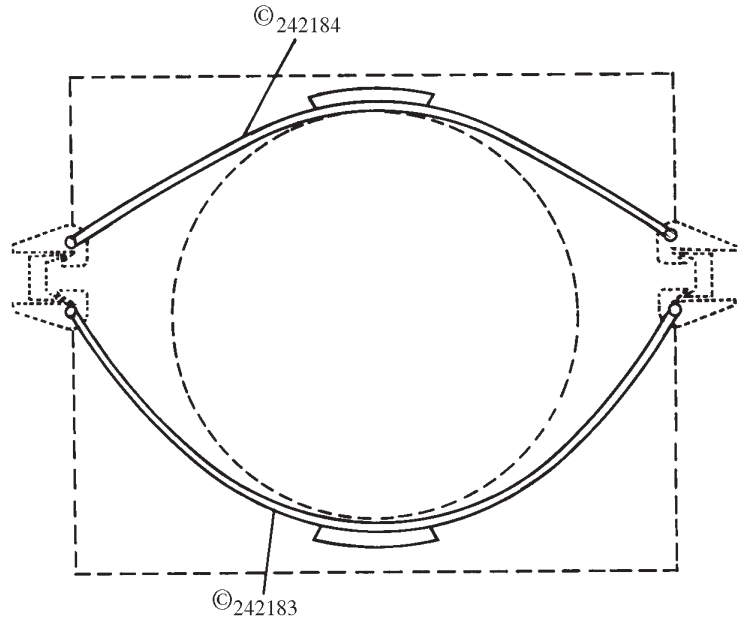
MODEL 84167 HOLD DOWN KIT

For models 1704 & 83274
Single Post Pressure Primers

- 1) Remove hold-down straps from pressure primer and replace with 84167 hold-down kit.

NOTE: Front and rear straps are different and must be replaced with strap of same shape.

- 2) Adjust height of strap brackets so that top rim of drum is firmly gripped by the grooves in the drum hold-downs.



SERVICE PARTS

Part	Qty.	Description
40817	2	Drum hold-down
50813	4	Screw
51057	4	Locknut
©242183	1	Front strap
©242184	1	Rear strap

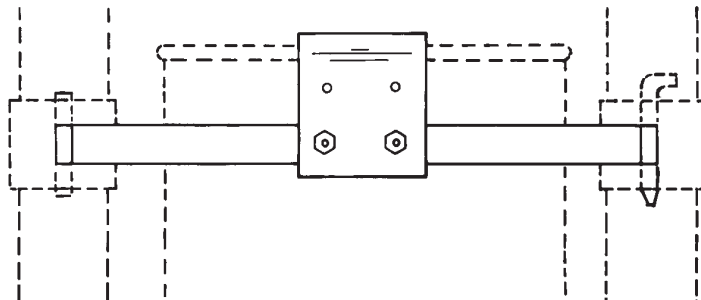
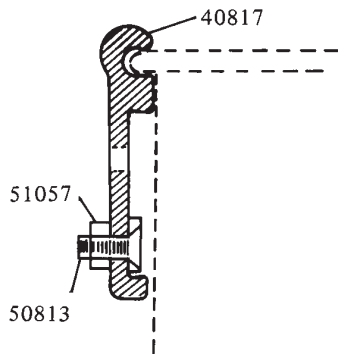
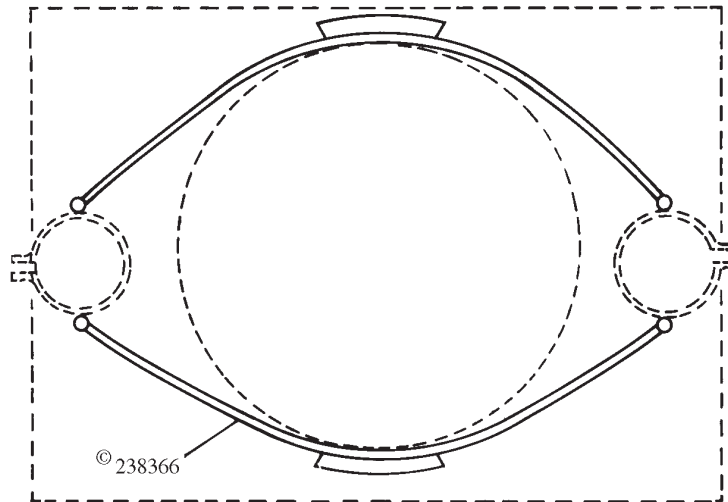
MODEL 84503 HOLD DOWN KIT

For models 1735 & 1736
Twin Post Pressure Primers

- 1) Remove hold-down straps from pressure primer and replace with 84503 hold-down kit.

NOTE: Front and rear straps are identical.

- 2) Adjust height of strap brackets so that top rim of drum is firmly gripped by the grooves in the drum hold-downs.



SERVICE PARTS

Part	Qty.	Description
40817	2	Drum hold-down
50813	4	Screw
51057	4	Locknut
© 238366	2	Strap

RETAIN THIS INFORMATION FOR FUTURE REFERENCE

When ordering replacement parts, list: Part Number, Description, Model Number and Series Letter.
LINCOLN provides a Distributor Network that stocks equipment and replacement parts.