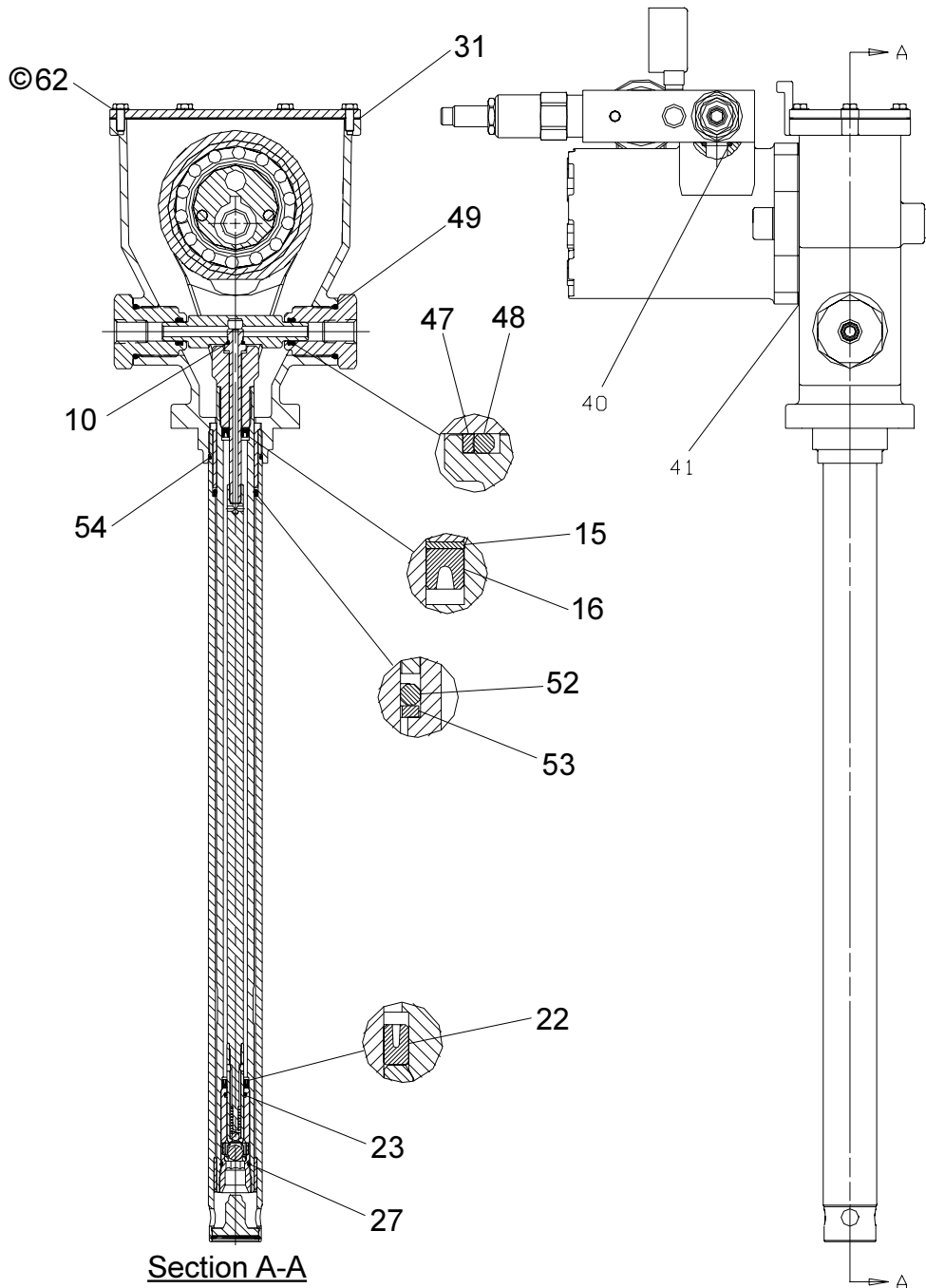


# Model 270663 Soft Parts Kit



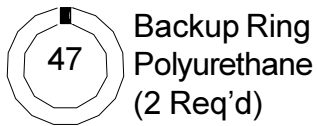
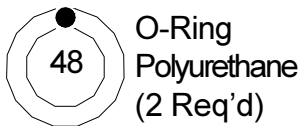
For FlowMaster™ Rotary Driven Hydraulic Pump  
Models 85480, 85481, 85482 and 85483



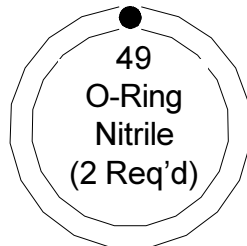
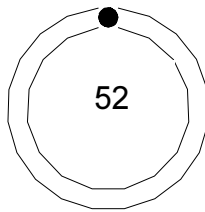
See Pump Owner's Manual, Section C8, Page 269 Series, for assembly information.

© indicates change

**Note: All illustrations are full size.**



O-Ring Polyurethane



31 Cover Gasket Nitrile

41 Motor Gasket Fiber

© indicates change

Lincoln Industrial  
One Lincoln Way  
St. Louis, MO 63120-1578  
(+1) 314 679 4200  
www.lincolnindustrial.com

Lincoln GmbH  
69190 Walldorf  
Heinrich-Hertz Strasse 2-8  
(+49) 6227 33-0

Lincoln Industrial  
25 International Business Park  
#01-68 German Centre  
Singapore 609916  
(+65) 562-7960