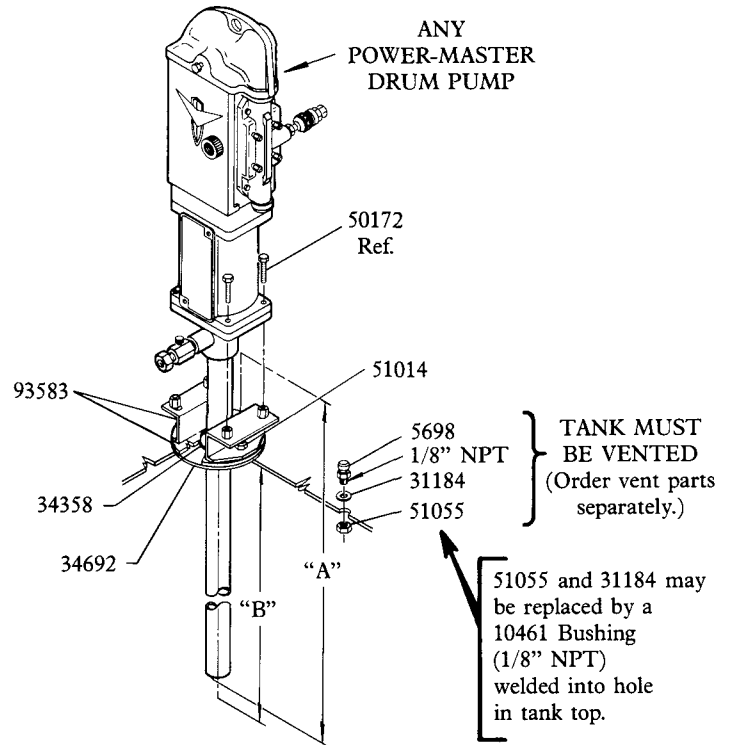
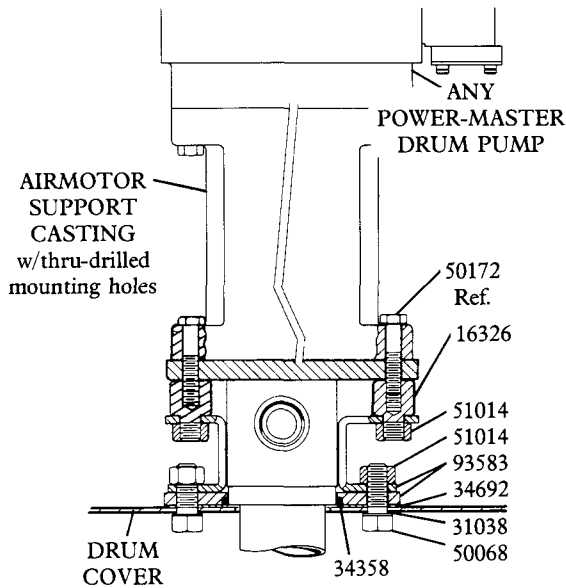
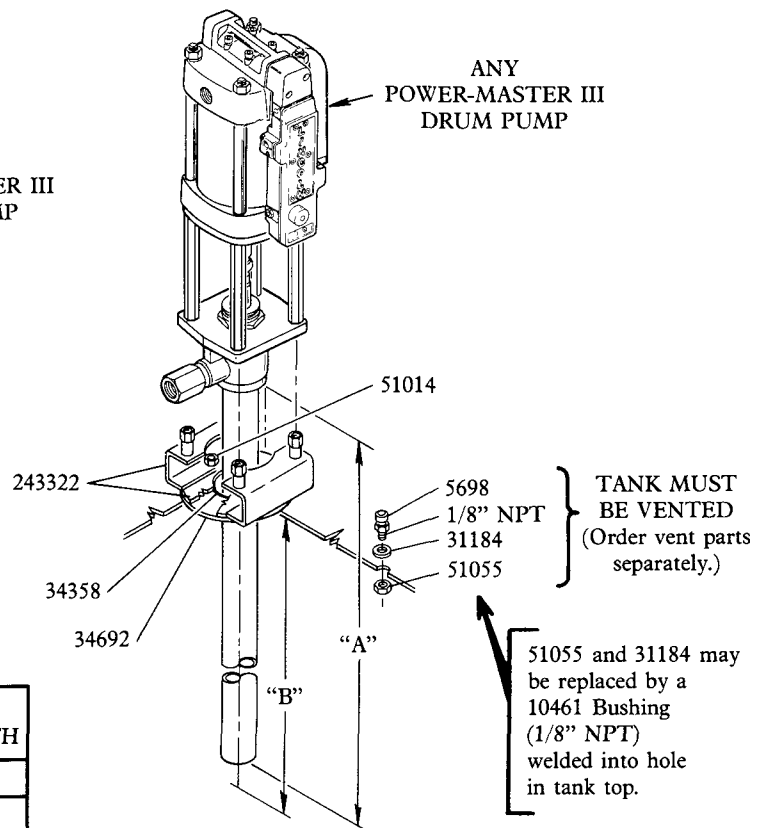
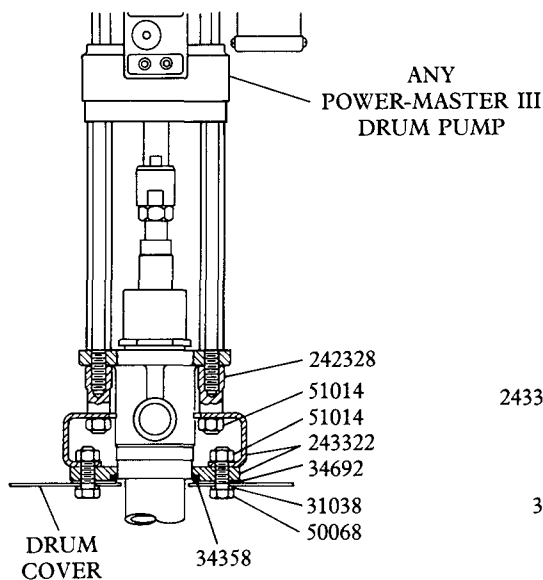


**FABRICATED TANK INSTALLATION**

84273 Pump Mounting Assembly can be used with any Power-Master Pump.



84963 Pump Mounting Assembly can be used with any Power-Master III Pump.



PUMPTUBE DRUM SIZE	DIM. "A"	DIM. "B" TANK DEPTH
16 GAL.	27-3/8"	28-3/8"
55 GAL.	34"	35"

**MODEL 81482 (400 Lb. Drum)**  
**For use with Power-Master Drum Pumps**

Consists of 84273 Pump Mounting Flange Assembly and 84318 Drum Cover & Tie Rod Assembly.

**MODEL 84768 (400 Lb. Drum)**  
**For use with Power-Master III Drum Pumps**

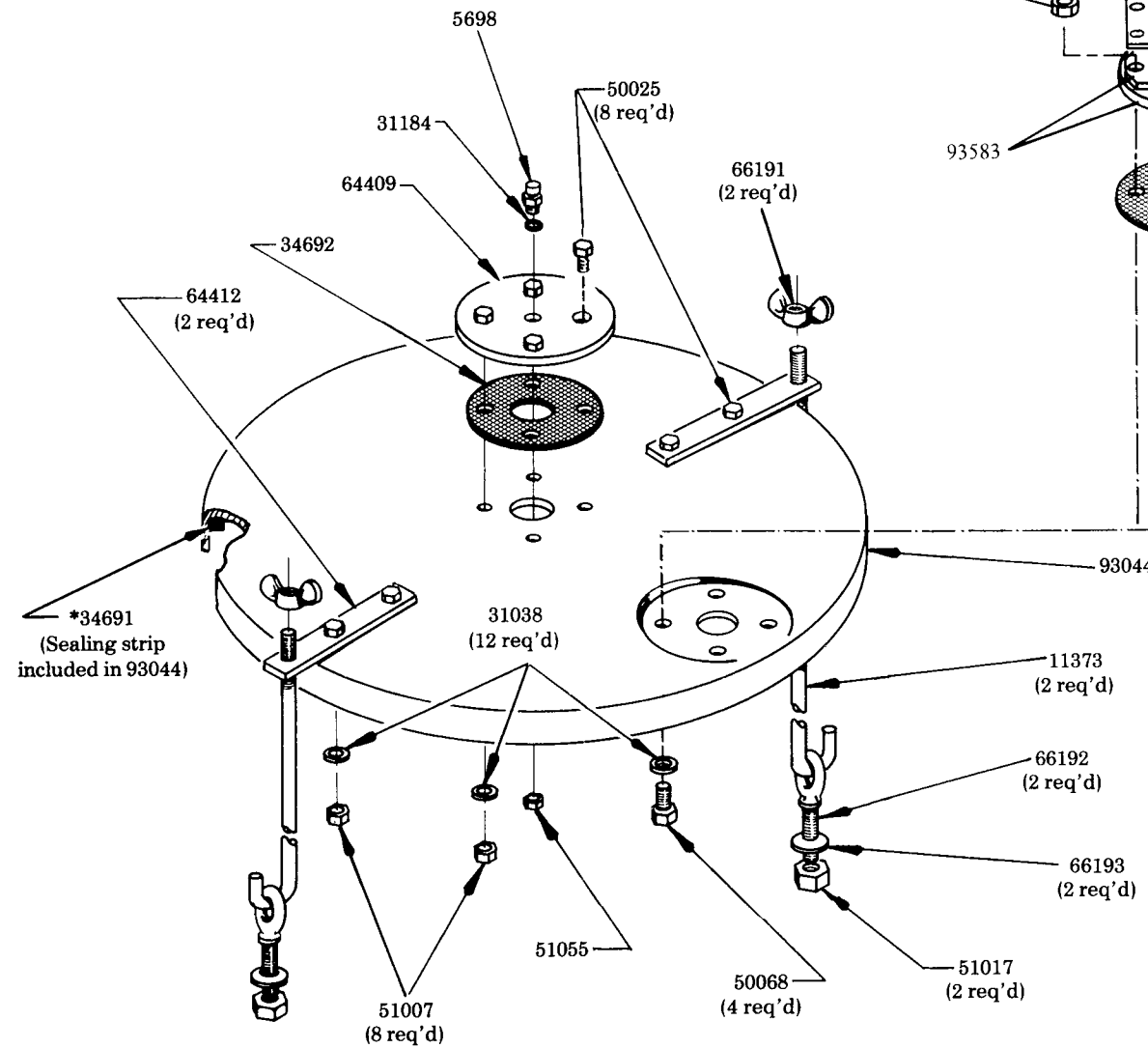
Consists of 84963 Pump Mounting Flange Assembly and 84318 Drum Cover & Tie Rod Assembly.

**MODEL 84291 (120 Lb. Drum)**  
**For use with Power-Master Drum Pumps**

Consists of 84273 Pump Mounting Flange Assembly and 84299 Drum Cover & Tie Rod Assembly.

**MODEL 84767 (120 Lb. Drum)**  
**For use with Power-Master III Drum Pumps**

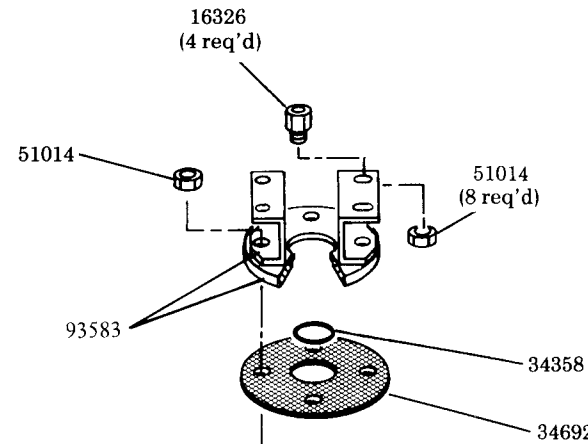
Consists of 84963 Pump Mounting Flange Assembly and 84299 Drum Cover & Tie Rod Assembly.



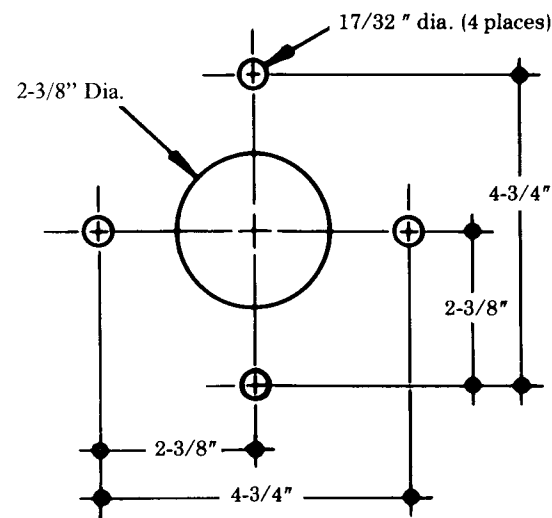
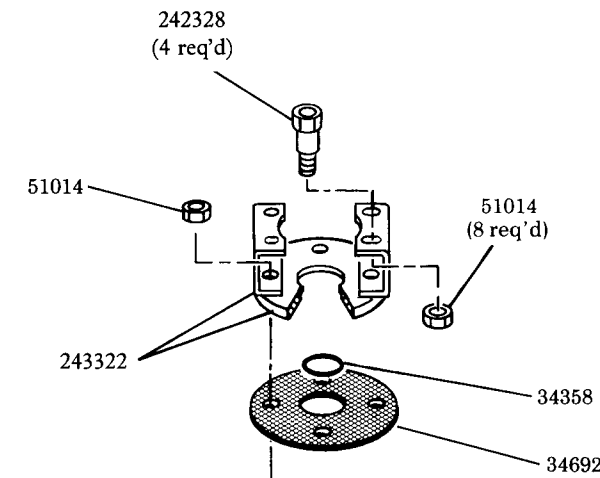
**84318**  
**DRUM COVER & TIE ROD ASSEMBLY**

\*CEMENT SEALING STRIP TO DRUM COVER WITH 3M #EC-1099

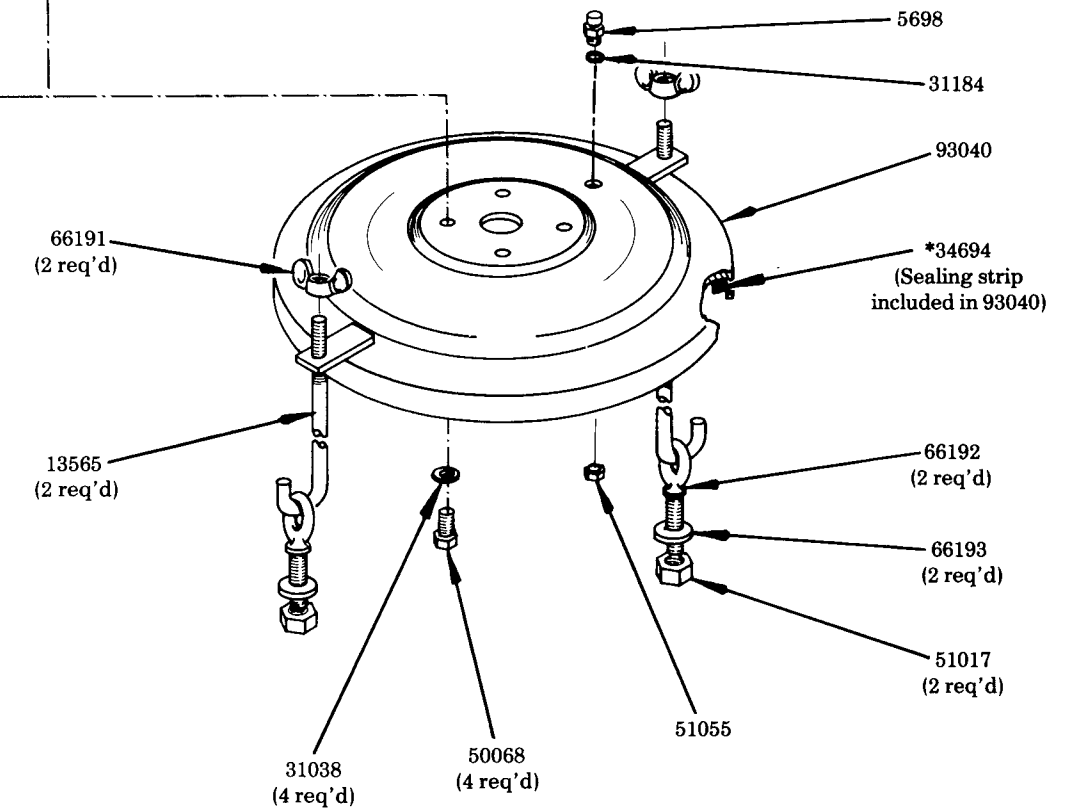
**84273**  
**PUMP MOUNTING**  
**FLANGE ASSEMBLY**  
**(For Power-Master Drum Pumps)**



**84963**  
**PUMP MOUNTING**  
**FLANGE ASSEMBLY**  
**(For Power-Master III Drum Pumps)**



**MOUNTING DIMENSIONS**  
 ( Pump mounting flange )



**84299**  
**DRUM COVER & TIE ROD ASSEMBLY**

Model 81482 and Model 84291 are for use with all Power-Master Drum Pumps.

Model 84767 and Model 84768 are for use with all Power-Master III Drum Pumps.

All models are designed for mobile installations where it is desirable to keep dust and water from entering the drum, and to keep the drum contents from sloshing out when traveling over rough terrain.

Each model consists of a drum cover assembly and a pump mounting flange assembly. Interfaces are gasketed between the drum and drum cover; pump outlet body and pump mounting flange; drum cover and pump mounting flange; drum cover and cover plate.

## SERVICE PARTS

PART	DESCRIPTION
5698	Vent fitting
11373	Tie rod
13565	Tie rod
16326	Extension adapter
31038	Gasket (aluminum)
31184	Washer (aluminum)
34358	O-ring (Buna-N)
34691	Sealing strip
34692	Gasket
34694	Sealing strip
50025	Bolt
50068	Bolt
51007	Nut
51014	Nut
51017	Nut
51055	Nut
64409	Cover plate
64412	Tie rod bracket
66191	Wing nut
66192	Eye bolt
66193	Lockwasher
93583	Pump mounting flange
93040	Drum cover & gasket assembly (120 lb. drum)
93044	Drum cover & gasket assembly (400 lb. drum)
242328	Extension adapter
243322	Pump mounting flange

**RETAIN THIS INFORMATION FOR FUTURE REFERENCE**

When ordering replacement parts, list: Part Number, Description, Model Number and Series Letter.  
**LINCOLN provides a Distributor Network that stocks equipment and replacement parts.**