

SPECIFICATIONS

Max. Operating Pressure - 3500 psi
 84004 Filter Element - 140 micron (100 mesh screen)
 84528 Filter Element - 420 micron (40 mesh screen)

CAUTION

A BLOCKED FILTER CAN DISINTEGRATE UNDER PRESSURE AND DAMAGE AN ENTIRE CENTRO-MATIC SYSTEM.

Remove and inspect filter element every 30 days. Vent system pressure before removing filter plug to inspect filter element. Clean thoroughly with solvent or replace if necessary.

MODEL 84004

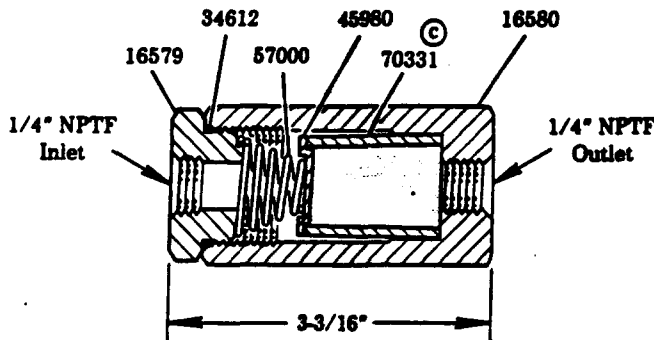
(For use with petroleum or synthetic base oil or grease.)
 A - 69524 filter element

MODEL 84528

(for use with grease per NLGI recommended practice.)
 A-328073 filter element

NOTE: REFER TO BACK PAGE FOR TYPICAL INSTALLATION.

© Indicates change



SPECIFICATIONS

Max. Operating Pressure - 6000 psi
 © Filter Element - 10 micron (sintered bronze)

IMPORTANT

Should a system begin to develop higher than normal operating pressures, the filter element should be checked for contamination. Clean filter element with solvent or replace if necessary.

MODEL 84239

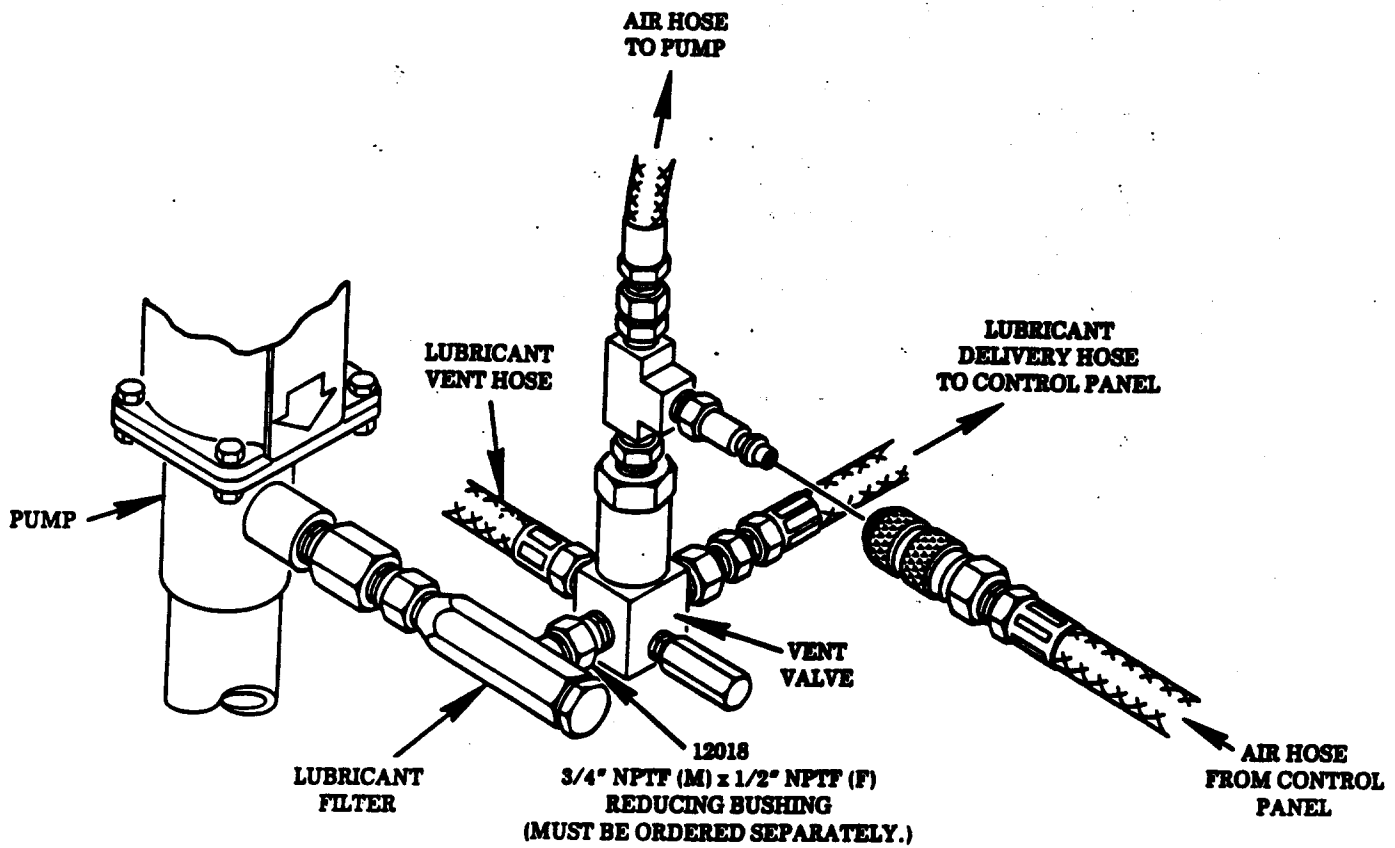
(For use with petroleum or synthetic base oils.)

SERVICE PARTS

PART	DESCRIPTION	PART	DESCRIPTION
14769	Plug	45980	Retainer
14770	Filter plug	55362	Spring
16579	Enclosure screw	57000	Spring
16580	Filter body	69524	Filter element
31002	Gasket	70331	Filter element
34612	O-ring	91839	Body

One Lincoln Way
 Saint Louis, Missouri 63120-1578
 (314)679-4300

Section 4 *K 1-6*
General Accessories



TYPICAL INSTALLATION
 (FILTER MUST BE INSTALLED
 BETWEEN PUMP AND VENT VALVE.)

RETAIN THIS INFORMATION FOR FUTURE REFERENCE

When ordering replacement parts, list: Part Number, Description, Model Number, and Series Letter.

LINCOLN provides a Distributor Network that stocks equipment and replacement parts.

A list of Authorized Service Departments will be furnished upon request.