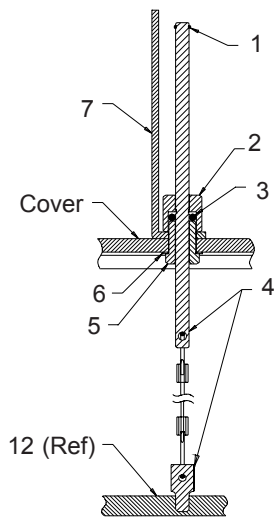


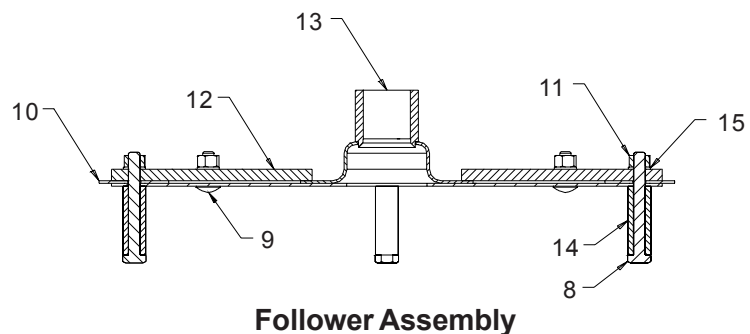
Model 249608 Low Level Kit can be installed on Models 85460 and 85243 whenever higher viscosity greases or lower temperatures are encountered and when an external indicator of lubricant level is desired. The kit is composed of a follower with wiper attached to a level indicator gage located on the cover of the reservoir.

ASSEMBLY INSTRUCTION:

1. Remove drum cover and pump tube from reservoir.
2. Slide follower plate onto pump tube.
3. Fasten end of 249762 Cable Assembly to threaded hole in 249334 Follower Weight.
4. Insert 249357 Indicator Plug into drum cover and slide indicator rod from 249762 Cable Assembly through indicator plug.
5. Place 631020 Indicator Bracket over 249387 Indicator Plug. Place 249532 O-ring and 16352 Indicator Nut onto indicator plug and tighten indicator nut to secure bracket to drum cover.
6. Install 68888 Snap Ring onto indicator rod.
7. Assemble cover, pump and follower assembly back on to reservoir.



Low Level Indicator



Follower Assembly

SERVICE PARTS

Item No.	Qty.	Description	Part Number	Item No.	Qty.	Description	Part Number
1	1	Retaining Ring	*68888	8	4	Bolt - Long	50084
2	1	Indicator Nut	16352	9	4	Carriage Bolt - Short	249332
3	1	O-Ring	*249532	10	1	Wiper (Nitrile)	*249331
4	1	Cable Assembly	249762	11	8	Nut	51304
5	1	Indicator Plug	249357	12	1	Follower Weight	249334
6	1	Washer	48548	13	1	Follower Guide Plate	249333
7	1	Indicator Bracket	361020	14	4	Spacer	249833
				15	12	Lock Washer	66186

* Suggested service replacement components.

Americas:
One Lincoln Way
St. Louis, MO 63120-1578
USA
Phone +1.314.679.4200
Fax +1.800.424.5359

Europe/Africa:
Heinrich-Hertz-Str 2-8
D-69183 Walldorf
Germany
Phone +49.6227.33.0
Fax +49.6227.33.259

Asia/Pacific:
25 Int'l Business Park
#01-65 German Centre
Singapore 609916
Phone +65.562.7960
Fax +65.562.9967

© Copyright 2003
Printed in USA

Web site:
www.lincolnindustrial.com