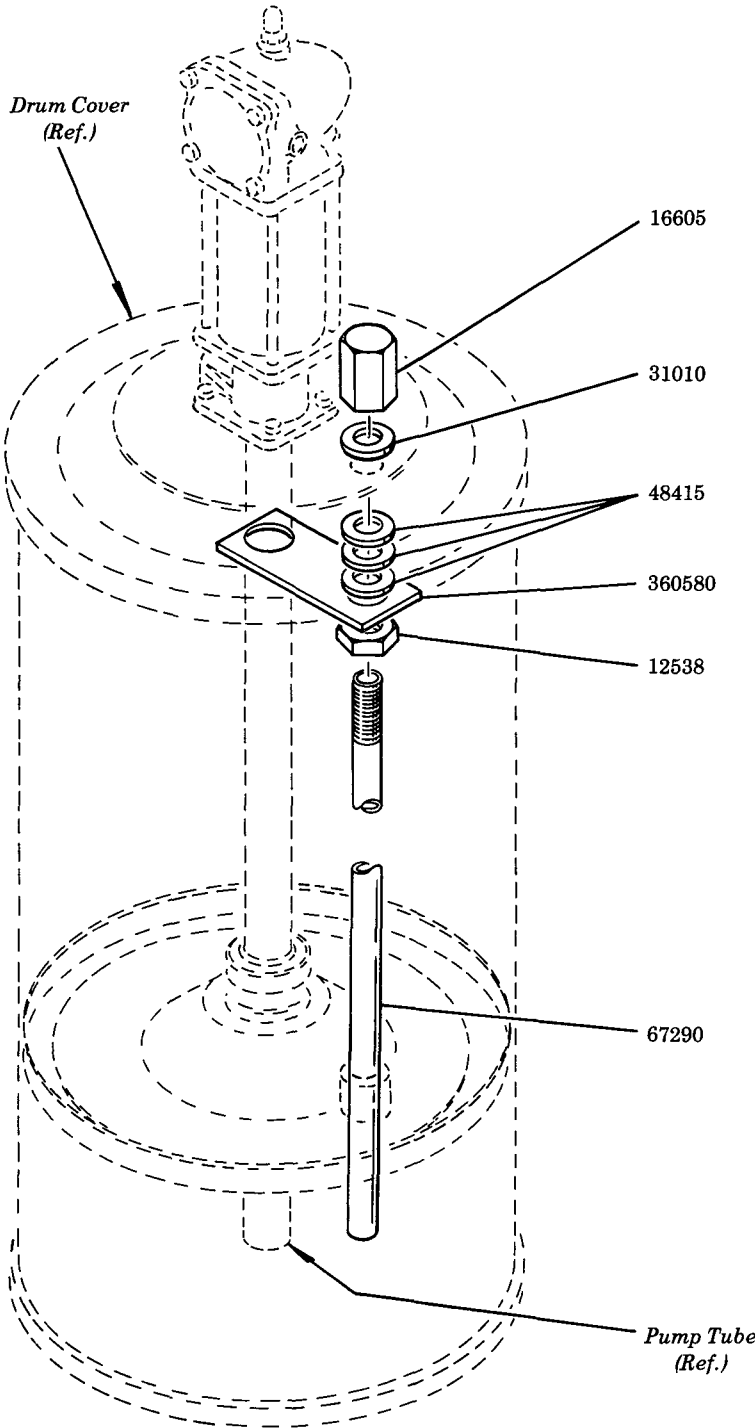


FOLLOWER GUIDE KIT

120 LB. DRUM



Model 84630



ASSEMBLY INSTRUCTIONS

Assemble 12538 Nut, 360580 Bracket and 48415 Washers to 67290 Vent Tube. Slide bracket onto pumptube, and insert vent tube through drum cover. Place 31010 Washer onto vent tube and secure with 16605 Cap. Tighten 12538 Nut securely against bracket.

SERVICE PARTS

| PART | QUAN. | DESCRIPTION |
|--------|-------|-----------------|
| 12538 | 1 | Nut |
| 16605 | 1 | Cap |
| 31010 | 1 | Washer (copper) |
| 48415 | 3 | Washer (steel) |
| 67290 | 1 | Vent tube |
| 360580 | 1 | Bracket |

LINCOLN ST. LOUIS
4010 GOODFELLOW BLVD • ST. LOUIS, MO 63120 • (314) 679-4200



A DIVISION OF
McNEIL
CORPORATION

SECTION - **K3**

PAGE - **4**