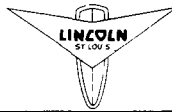


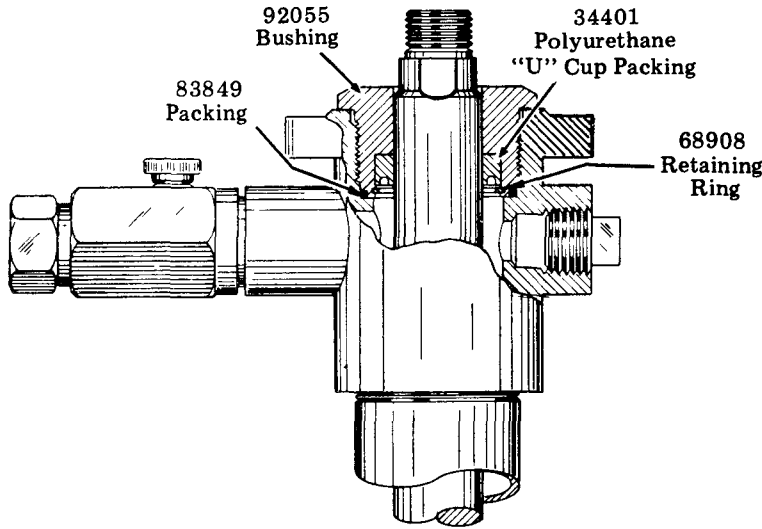
TEFLON KIT

FOR POWER-MASTER PUMP TUBE



Model 83883

TO CONVERT PACKING GLAND



The Teflon Gland and Piston Packing Kit should be used when dispensing materials which are not compatible with the standard Polyurethane and Buna-N Packings.

Model 83883 will fit the following Power-Master Pump Tubes: 82773, 82790, 82887 and 83239.

CAUTION:

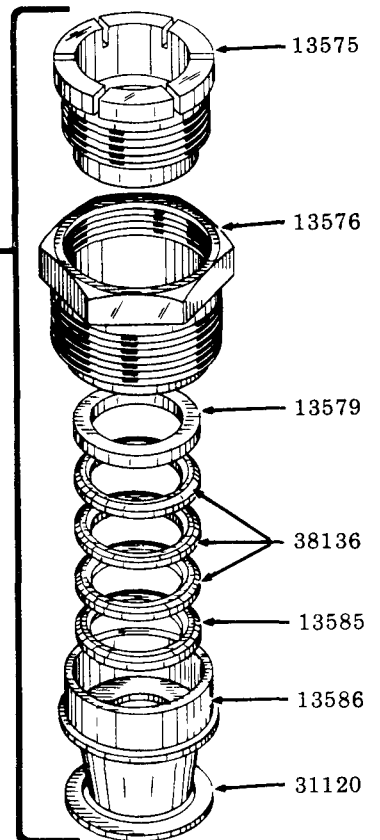
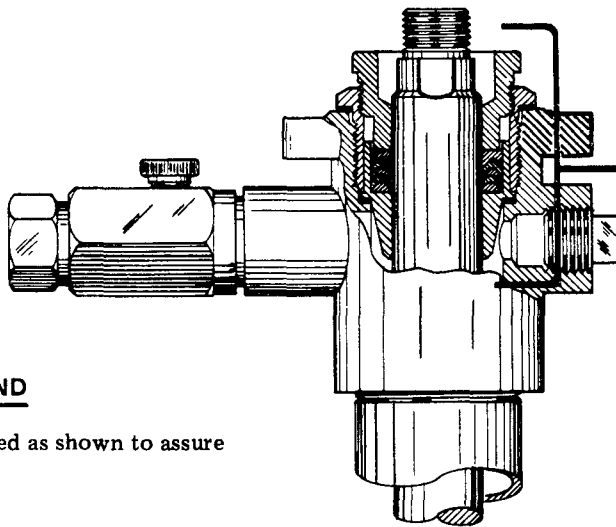
Excessive tightening of adjusting nut will affect Pump operation and may damage Packings.

SEE REVERSE SIDE FOR PISTON CONVERSION

STANDARD PUMP GLAND

Remove the following parts; 92055, 83849, 68908 & 34401.

ASSEMBLY SEQUENCE



TEFLON PUMP GLAND

Parts must be assembled as shown to assure proper operation.

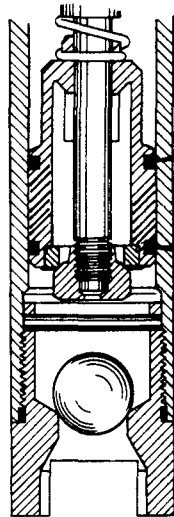
LINCOLN ST. LOUIS
4010 GOODFELLOW BLVD • ST. LOUIS, MO 63120 • (314) 383 5900



A DIVISION OF
McNEIL
CORPORATION

SECTION **-K4**
PAGE **-10**

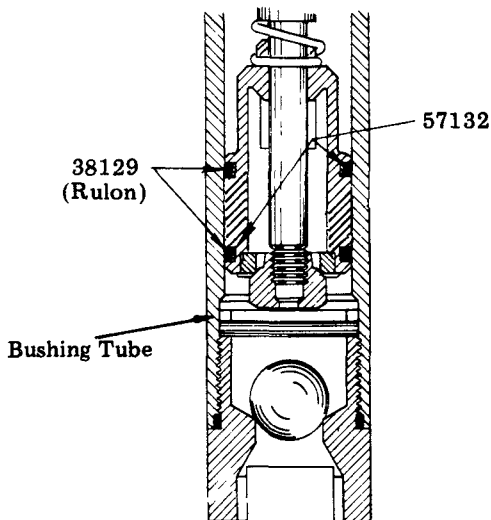
TO CONVERT PISTON PACKINGS



Buna-N "O" Ring

STANDARD PISTON ASSEMBLY

Remove the two Buna-N "O" Rings from the Piston.



INSTALLATION PROCEDURE

57132 Expander Ring should be installed in lower groove of Piston. The 38129 Piston Ring should then be installed over the 57132 Expander Ring with the overlap section of the Piston Ring 180° from the gap of the Expander Ring.

The Bushing Tube should then be installed over the lower groove to retain the 38129 Piston Ring.

Install the upper 57132 Expander Ring and 38129 Piston Ring on the Piston, following the same procedure as used for installing the lower Piston Ring.

MODEL 83883

PART NO.	QUAN.	DESCRIPTION
13575	1	Adjusting Nut
13576	1	Gland Housing
13579	1	Vee Female Adapter
13585	1	Vee Male Adapter
13586	1	Bushing
31120	1	Gasket
38129	2	Piston Ring
38136	3	Rulon Packings
57132	2	Expander Ring

RETAIN THIS INFORMATION FOR FUTURE REFERENCE

When ordering replacement parts, list: Part Number, Description, Model Number, and Series Letter.
LINCOLN ST. LOUIS provides a Distributor Network that stocks equipment and replacement parts.
 A list of Authorized Service Departments will be furnished upon request.