

# TEFLON KIT

## FOR POWER-MASTER PUMP TUBE

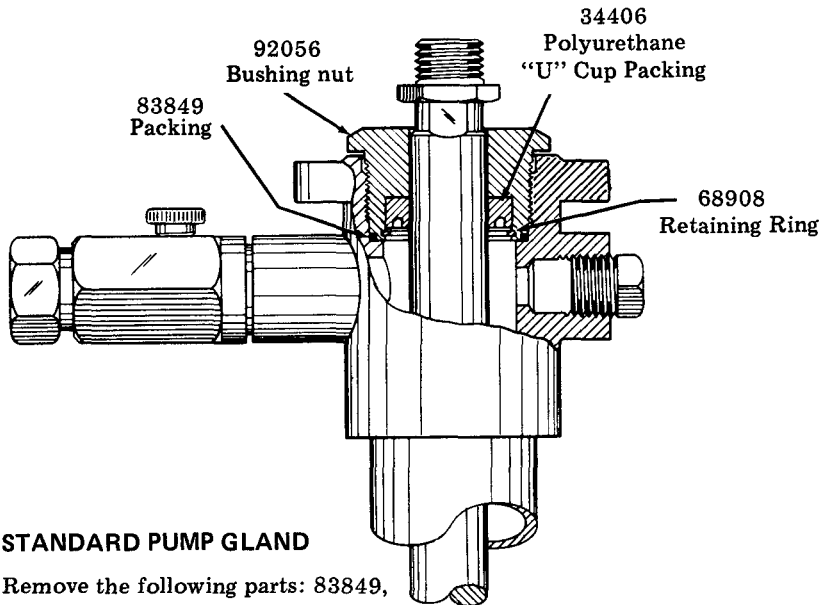


# Model 83164

Model 83164 will fit the following Power-Master Pump Tubes: 82791 & 82840

The Teflon Gland and Piston Packing Kit should be used when dispensing materials which are not compatible with the standard Polyurethane and Buna-N Packings.

### TO CONVERT PACKING GLAND



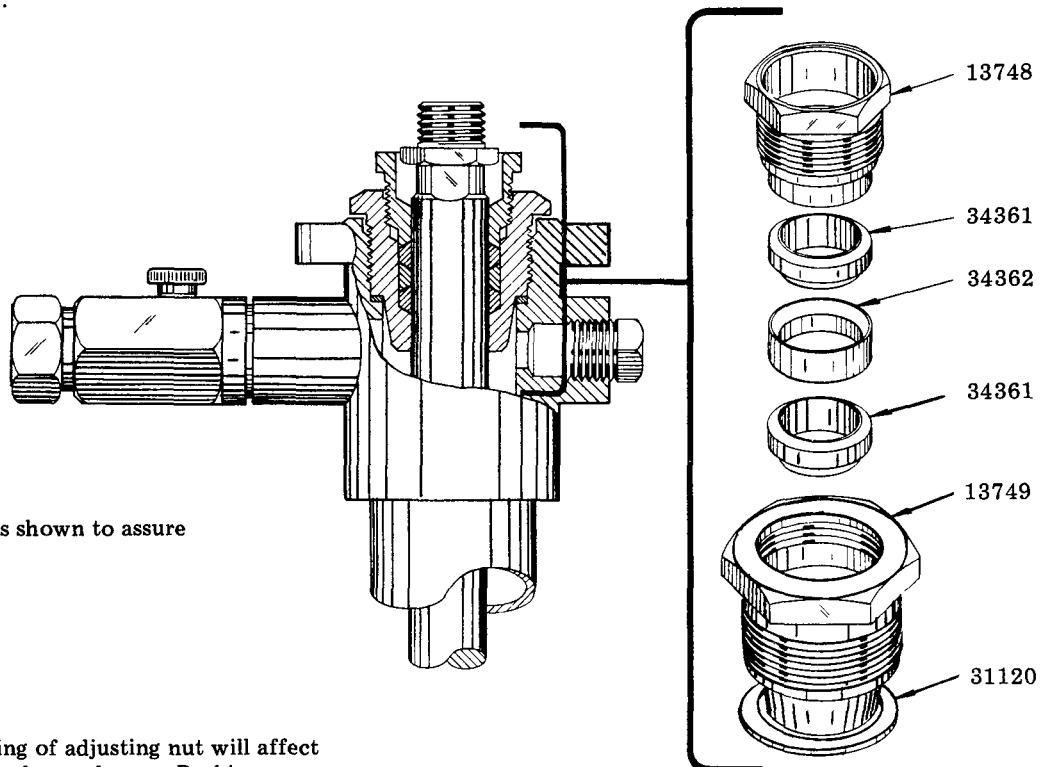
### STANDARD PUMP GLAND

Remove the following parts: 83849, 34406, 68908 and 92056.

### MODEL 83164

PART NO.	QUAN.	DESCRIPTION
13748	1	Adjusting Nut
13749	1	Gland Housing
31120	1	Gasket
34361	2	Packing
34362	1	Packing

### ASSEMBLY SEQUENCE



### TEFLON PUMP GLAND

Parts must be assembled as shown to assure proper operation.

### CAUTION:

Excessive tightening of adjusting nut will affect Pump operation and may damage Packings.

**LINCOLN ST. LOUIS**  
4010 GOODFELLOW BLVD • ST LOUIS, MO 63120 • (314) 383 5900



SECTION - **K4**  
PAGE - **11**