

TEFLON KIT

FOR POWER-MASTER PUMP TUBE

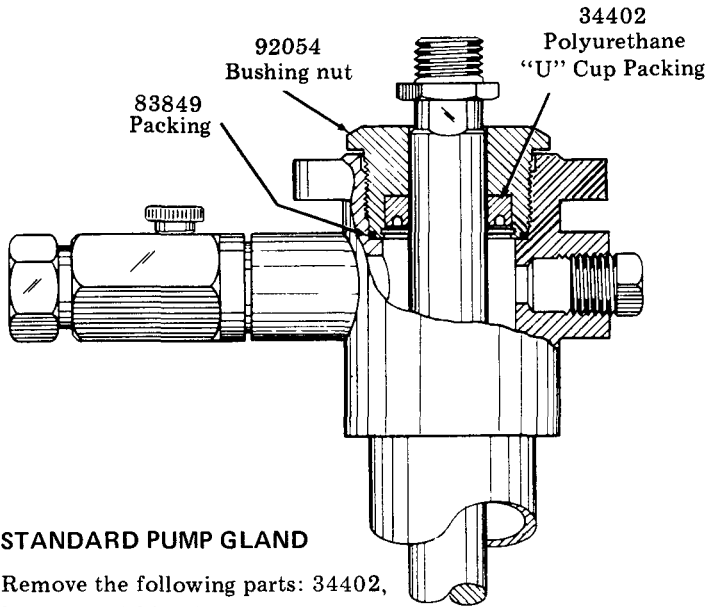


Model 83186

Model 83186 will fit the following Power-Master Pump Tubes: 82792 and 82841

The Teflon Gland and Piston Packing Kit should be used when dispensing materials which are not compatible with the standard Polyurethane and Buna-N Packings.

TO CONVERT PACKING GLAND



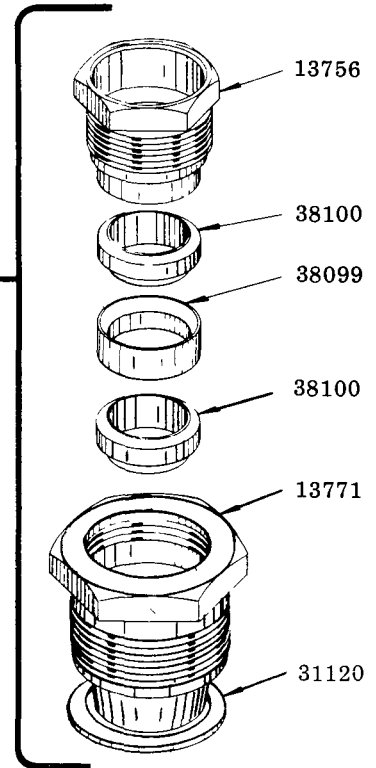
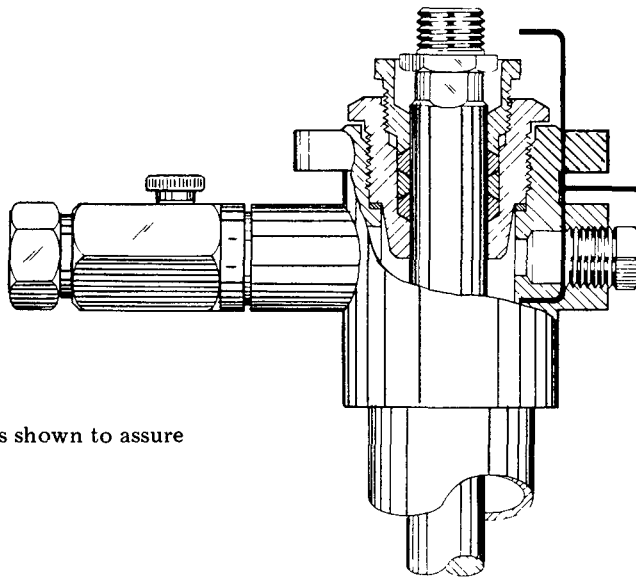
STANDARD PUMP GLAND

Remove the following parts: 34402, 83849, and 92054.

MODEL 83186

PART NO.	QUAN.	DESCRIPTION
13756	1	Adjusting Nut
13771	1	Gland Housing
31120	1	Gasket
38100	2	Packing
38099	1	Packing

ASSEMBLY SEQUENCE



TEFLON PUMP GLAND

Parts must be assembled as shown to assure proper operation.

CAUTION:

Excessive tightening of adjusting nut will affect Pump operation and may damage Packings.

LINCOLN ST. LOUIS
4010 GOODFELLOW BLVD • ST. LOUIS MO 63120 • (314) 383 5900



A DIVISION OF
McNEIL
CORPORATION

SECTION - **K4**
PAGE - **12**