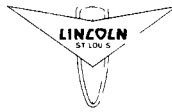


# TEFLON KIT FOR POWER-MASTER PUMP TUBE

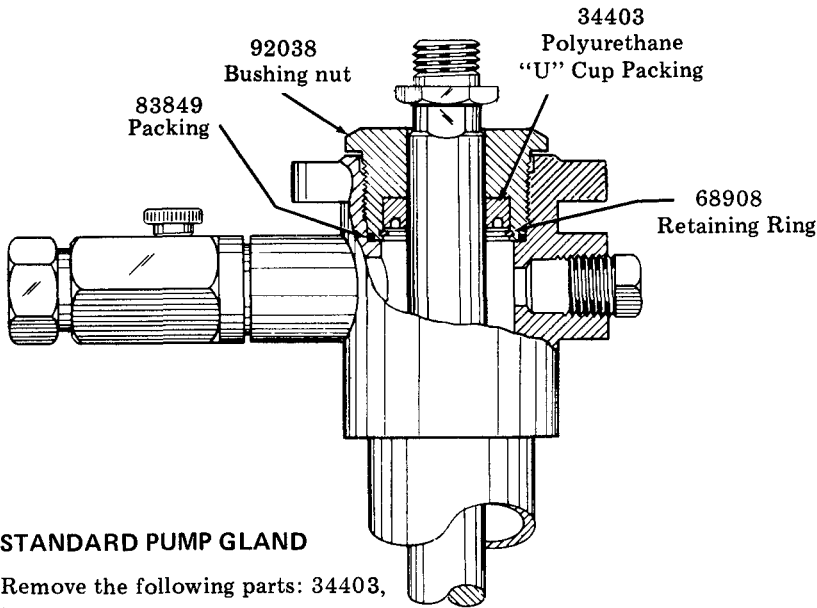


# Model 83187

Model 83187 will fit the following Power-Master Pump Tubes: 82793 and 82883

The Teflon Gland and Piston Packing Kit should be used when dispensing materials which are not compatible with the standard Polyurethane and Buna-N Packings.

## TO CONVERT PACKING GLAND



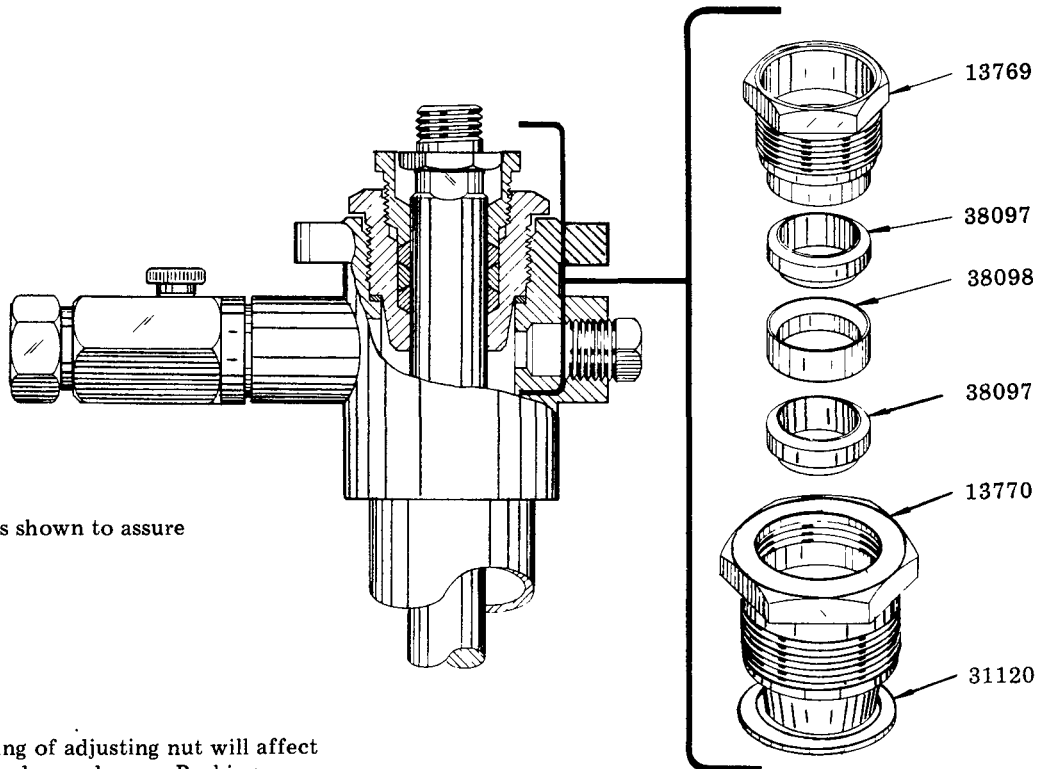
### STANDARD PUMP GLAND

Remove the following parts: 34403, 83849, and 92038.

### MODEL 83187

PART NO.	QUAN.	DESCRIPTION
13769	1	Adjusting Nut
13770	1	Gland Housing
31120	1	Gasket
38097	2	Packing
38098	1	Packing

### ASSEMBLY SEQUENCE



### TEFLON PUMP GLAND

Parts must be assembled as shown to assure proper operation.

#### CAUTION:

Excessive tightening of adjusting nut will affect Pump operation and may damage Packings.