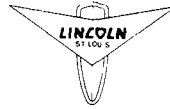


LEATHER PISTON KIT

FOR POWER-MASTER PUMP TUBE

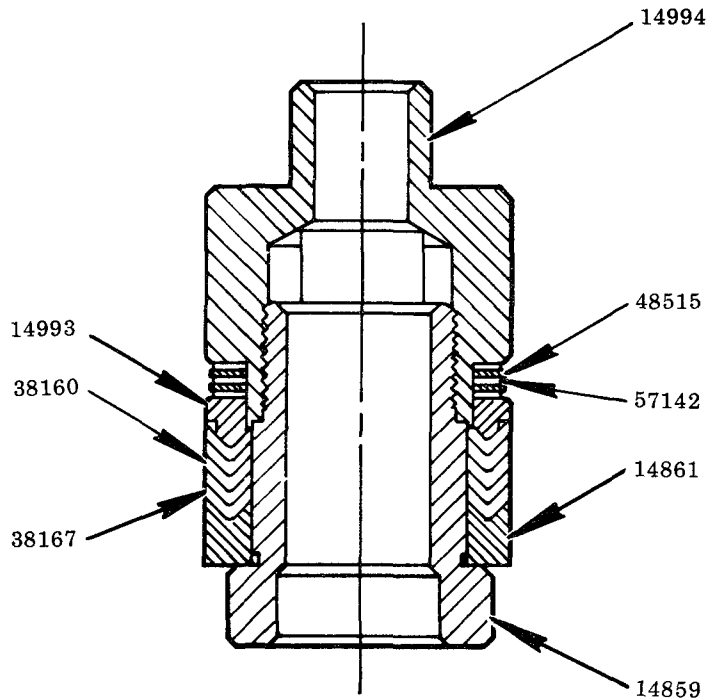


Model 84112

Series "B"

Model 84112 will fit the following Power-Master Pump Tubes: 82790 and 82887.

The Leather Piston Kit should be used when dispensing paint or abrasive materials.



MODEL 84112

PART NO.	QUAN.	DESCRIPTION
14859	1	Piston Nut
14861	1	Female Adapter
14993	1	Male Adapter
14994	1	Piston Rod Guide
38160	4	Leather V-Packing
38167	1	Teflon V-Packing
48515	2	Washer
57142	3	Wave Spring Washer

LINCOLN ST. LOUIS
4010 GOODFELLOW BLVD • ST. LOUIS, MO 63120 • (314) 383-5900



A DIVISION OF
McNEIL
CORPORATION

SECTION - **K4**
PAGE - **14**