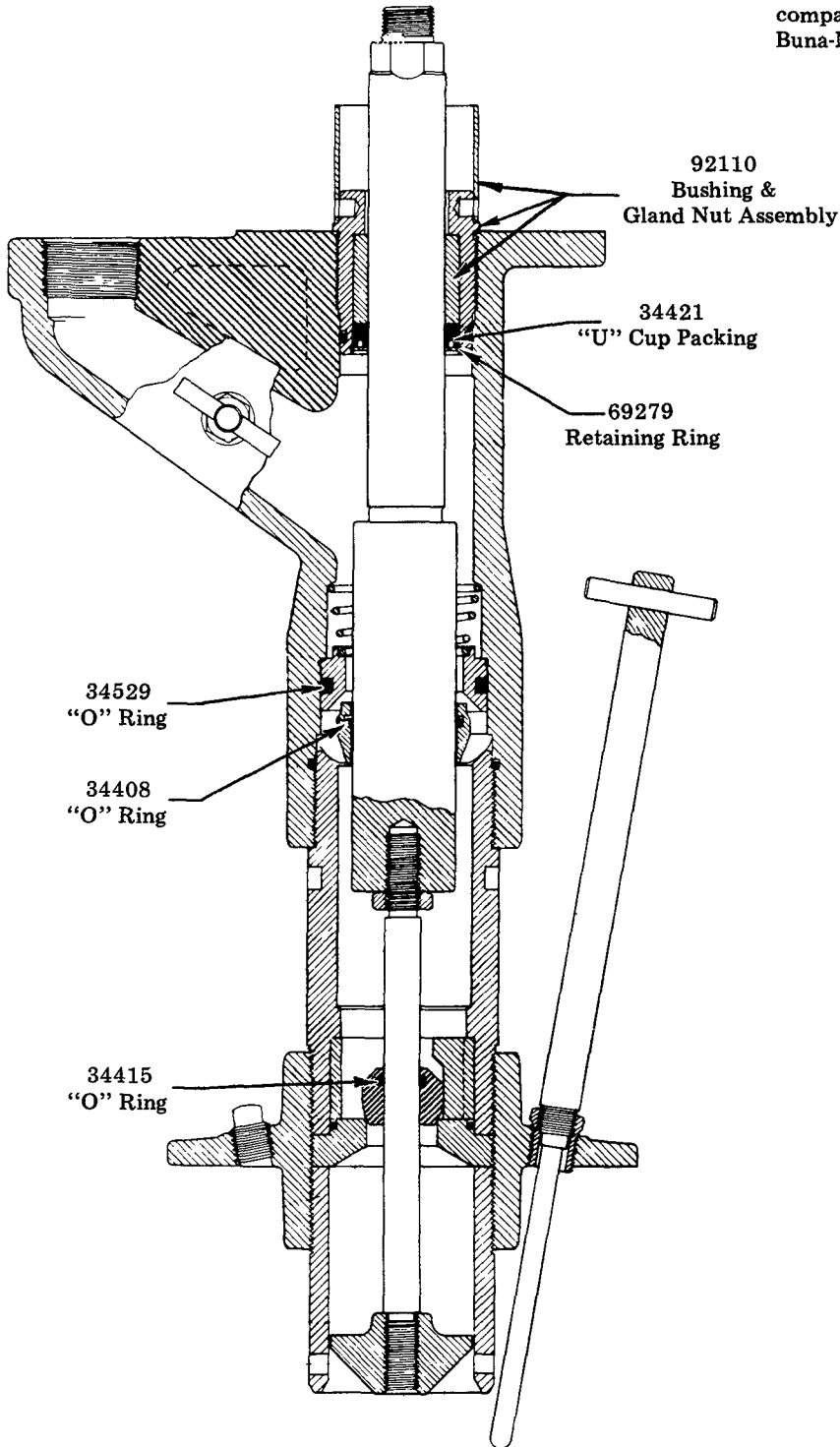




TO CONVERT PACKING GLAND

The Teflon Gland and Piston Packing Kit should be used when dispensing materials which are not compatible with the standard Polyurethane and Buna-N Packings.

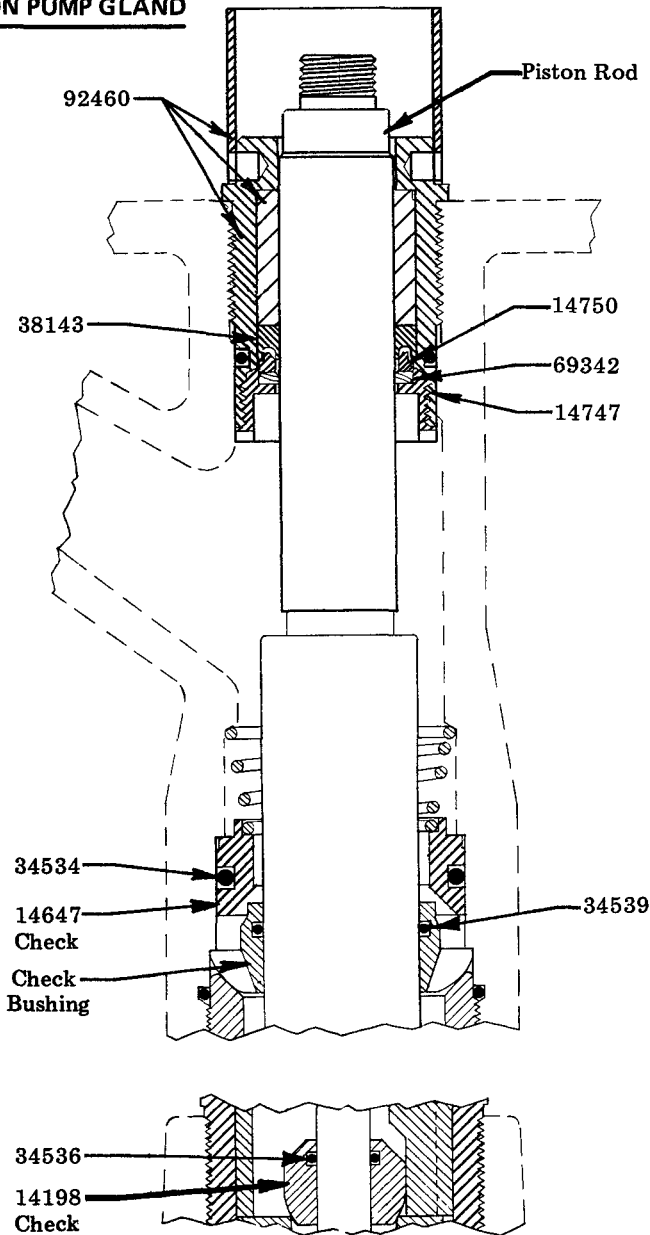


STANDARD PUMP GLAND

Remove the following parts; 34408, 34415, 34421, 34529, 69279, 92110.

SEE REVERSE SIDE FOR
"TEFLON" PACKING KIT
INSTALLATION PROCEDURE

TEFLON PUMP GLAND



INSTALLATION PROCEDURE

Invert 38143 "U" Cup Packing and force over Piston Rod. (This is done to "size" the packing bore.) Remove 38143 "U" Cup Packing from Piston Rod.

Assemble all parts included in the Gland Assembly. Do not tighten the 14747 Spreader Nut at this time.

Insert Piston Rod up through Gland Assembly and tighten the 14747 Spreader Nut.

Screw Gland and Piston Rod Assembly into Pump Outlet Casting.

Insert 34534 "O" Ring into 14647 Check, and 34539 "O" Ring into Check Bushing, and slip onto Piston Rod.

Insert 34536 "O" Ring into 14648 Check and slip onto Priming Rod.

Re-Assemble pump tube to complete installation of "Teflon" Packing Kit.

NOTE:

34534 "O" Ring and 14647 Check must be fully depressed into Outlet Body before assembling lower section parts.

MODEL 83963

PART NO.	QUAN.	DESCRIPTION
14747	1	Spreader Nut
14750	1	Spreader
34534	1	O-Ring
34536	1	O-Ring
34539	1	O-Ring
38143	1	U-Cup Packing
38143	1	U-Cup Packing
69342	1	Wave Washer
92460	1	Bushing and Gland Nut Assembly

RETAIN THIS INFORMATION FOR FUTURE REFERENCE

When ordering replacement parts, list: Part Number, Description, Model Number, and Series Letter.

LINCOLN ST. LOUIS provides a Distributor Network that stocks equipment and replacement parts.

A list of Authorized Service Departments will be furnished upon request.