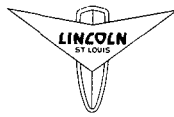


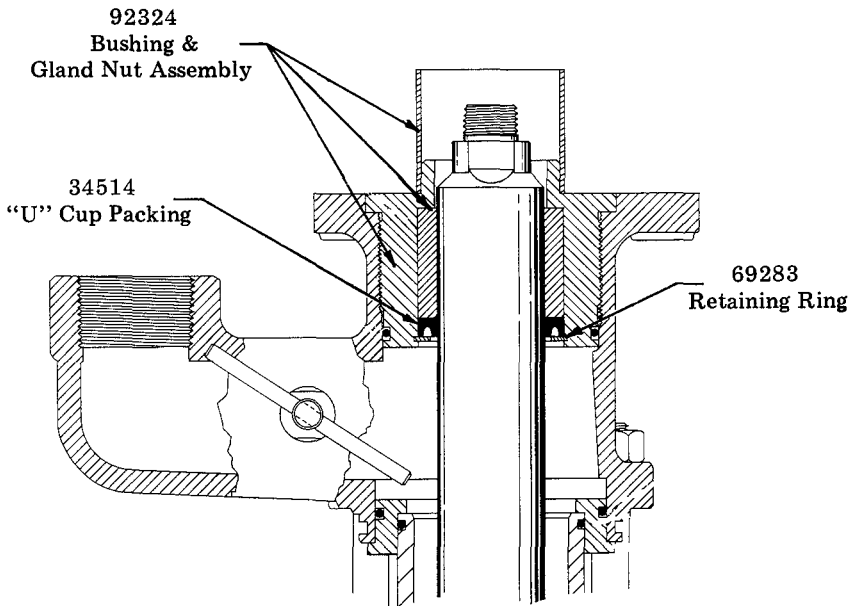
TEFLON KIT

FOR 83612 PUMP TUBE ASSEMBLY



Model 83979

TO CONVERT PACKING GLAND



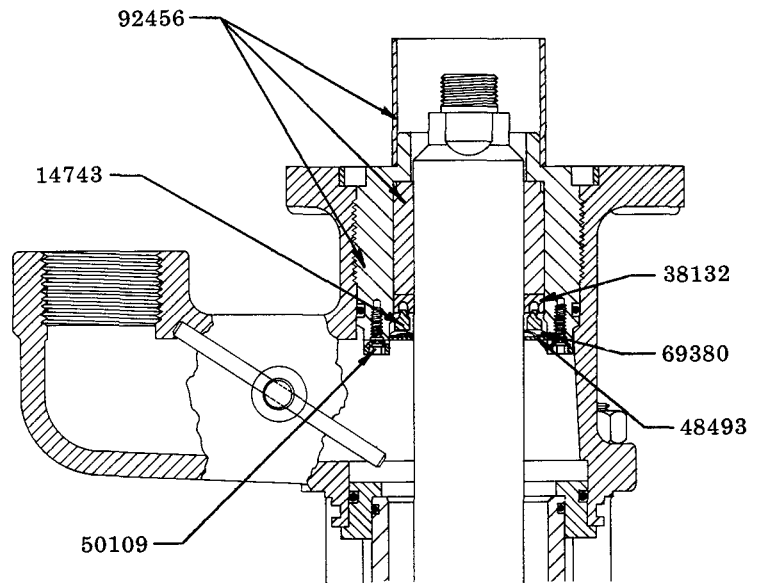
The Teflon Gland and Piston Packing Kit should be used when dispensing materials which are not compatible with the standard Polyurethane and Buna-N Packings

STANDARD PUMP GLAND

Remove the following parts;
34514, 69283, 92324.

SEE REVERSE SIDE FOR
PISTON CONVERSION

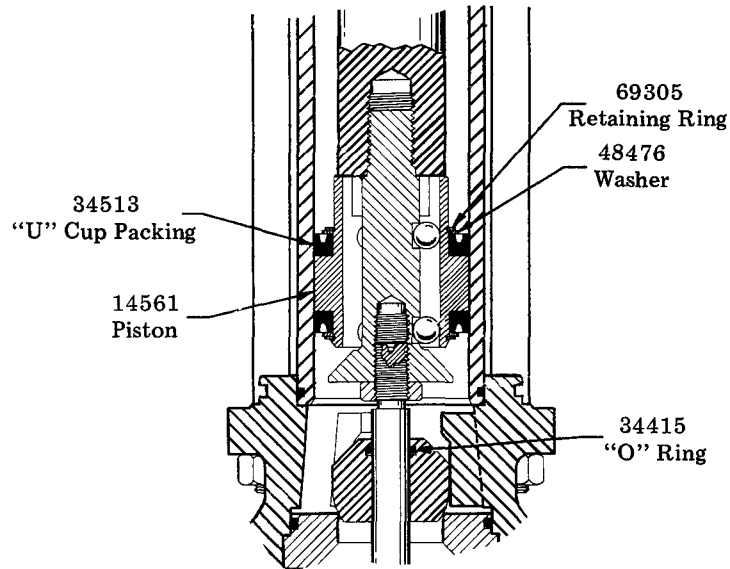
TEFLON PUMP GLAND



TO CONVERT PISTON PACKINGS

STANDARD PISTON ASSEMBLY

Remove the following parts; 14561, 34415, 34513, 48476, 69305.



INSTALLATION PROCEDURE

Invert 38132 "U" Cup Packing and force over Piston Rod. (This is done to "Size" the packing bore.) Remove 38132 "U" Cup Packing from Piston Rod.

Assemble all parts included in the Gland Assembly. Do not tighten the four 50109 Socket Head Cap Screws at this time.

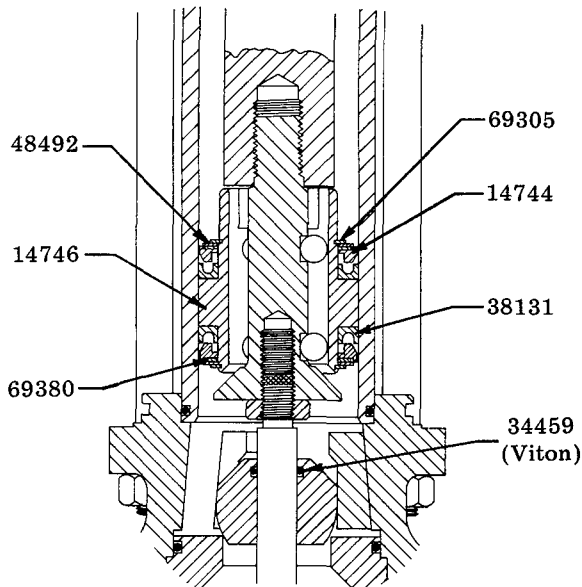
Insert Piston Rod up through Gland Assembly and tighten the four 50109 Socket Head Cap Screws.

Screw Gland and Piston Rod Assembly into Pump Outlet Casting.

Assemble all parts of the Piston Assembly. Using existing Steel Balls, assemble Piston Assembly onto Check, then screw Check into bottom of Piston Rod.

Insert 34459 "O" Ring into 14382 Check and slip Check onto Priming Rod.

Re-Assemble pump tube to complete installation of Teflon Packing Kit.



MODEL 83979

PART NO.	QUAN.	DESCRIPTION
14743	1	Expander
14744	2	Spreader
14746	1	Piston
34459	1	O-Ring
38131	2	U-Cup Packing
38132	1	U-Cup Packing
48492	2	Washer
48493	1	Metal Plate Washer
50109	4	Socket Head Cap Screw
69305	2	Retaining Ring
69380	3	Wave Washer
92456	1	Bushing & Gland Nut Assembly

RETAIN THIS INFORMATION FOR FUTURE REFERENCE

When ordering replacement parts, list: Part Number, Description, Model Number, and Series Letter.
 LINCOLN ST. LOUIS provides a Distributor Network that stocks equipment and replacement parts.
 A list of Authorized Service Departments will be furnished upon request.