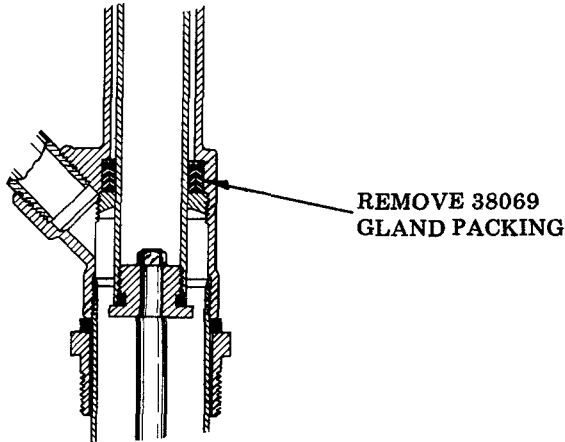


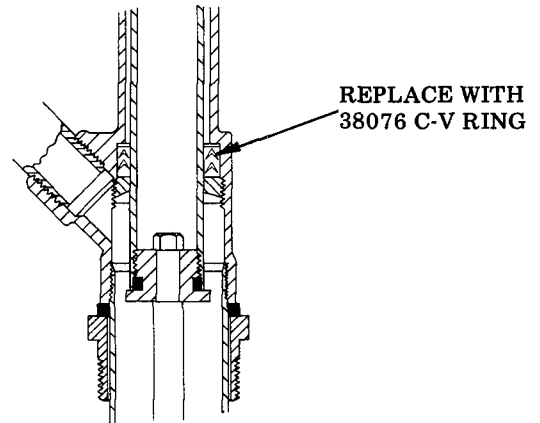


TO CONVERT PACKING GLAND

The Teflon Gland and Piston Packing Kit should be used when dispensing materials which are not compatible with the standard Polyurethane and Buna-N Packings.

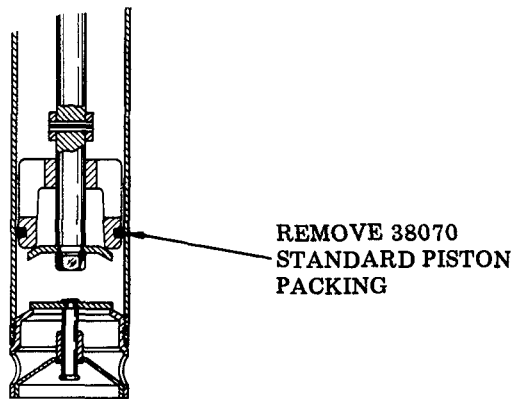


STANDARD PUMP GLAND

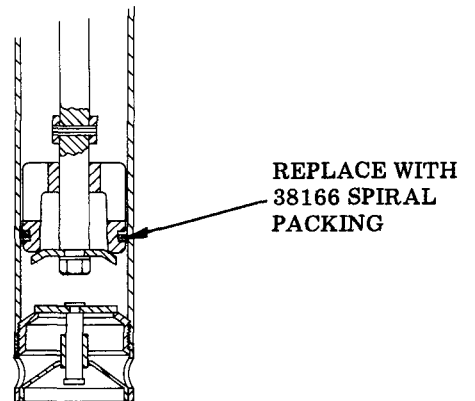


TEFLON PUMP GLAND

TO CONVERT PISTON PACKING



STANDARD PISTON ASSEMBLY



TEFLON PISTON ASSEMBLY