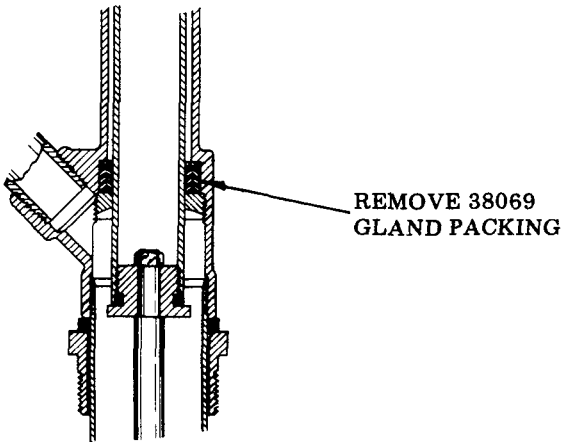


## FOR 82230 TRANSFER PUMP

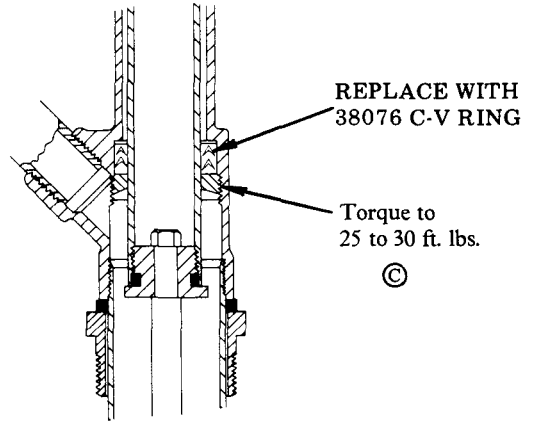
### TO CONVERT PACKING GLAND

The Teflon Gland and Piston Packing Kit should be used when dispensing materials which are not compatible with the standard Thiokol treated leather packings.

©

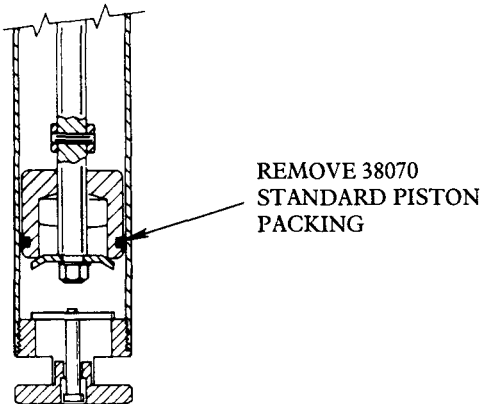


STANDARD PUMP GLAND

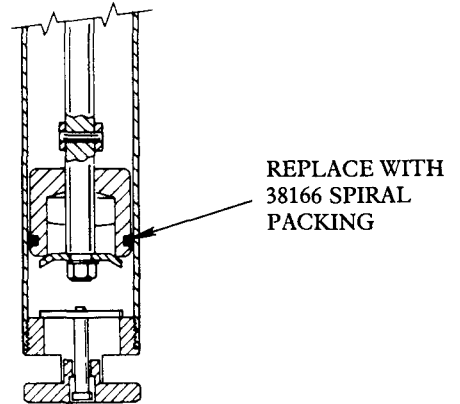


TEFLON PUMP GLAND

### TO CONVERT PISTON PACKING



STANDARD PISTON ASSEMBLY



TEFLON PISTON ASSEMBLY

© Indicates Change