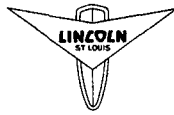


# TEFLON KIT

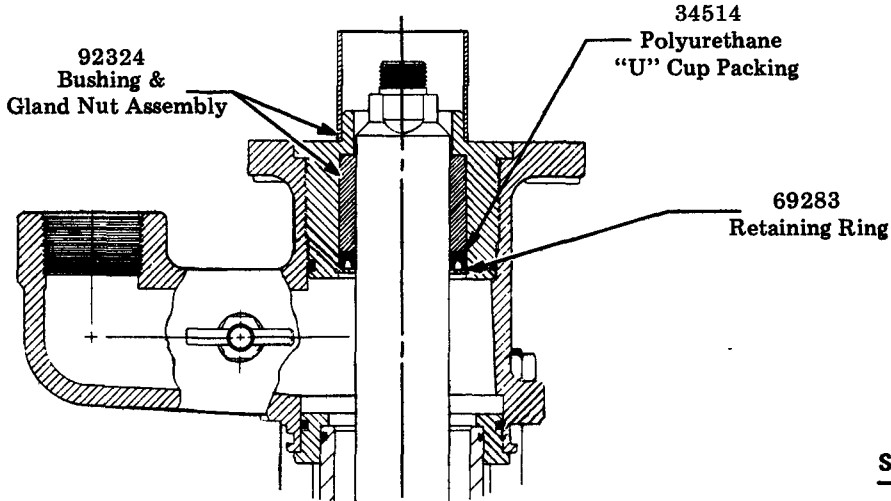
FOR 83602 PUMP TUBE ASSEMBLY



# Model 83980

## TO CONVERT PACKING GLAND

The Teflon Gland and Piston Packing Kit should be used when dispensing materials which are not compatible with the standard Polyurethane and Buna-N Packings.

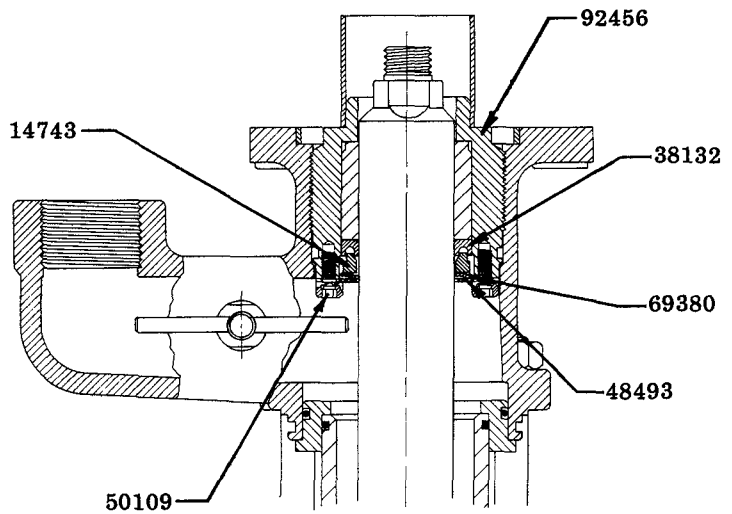


## STANDARD PUMP GLAND

Remove the following parts;  
34514, 69283, 92324.

SEE REVERSE SIDE FOR  
PISTON CONVERSION

## TEFLON PUMP GLAND



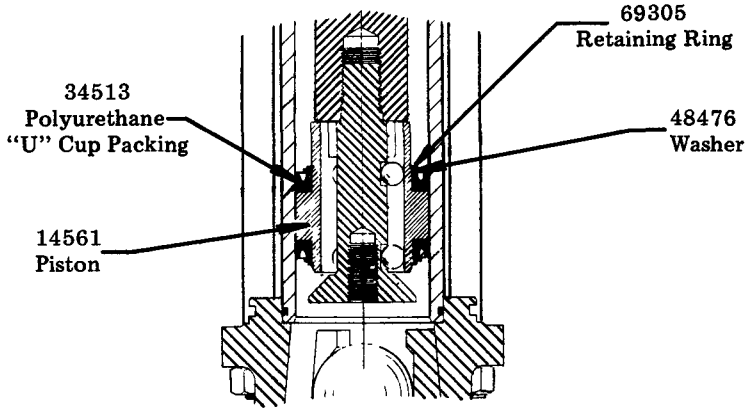
**LINCOLN ST. LOUIS**  
4010 GOODFELLOW BLVD. • ST. LOUIS, MO. 63120 • (314) 383-5900



A DIVISION OF  
**McNEIL**  
CORPORATION

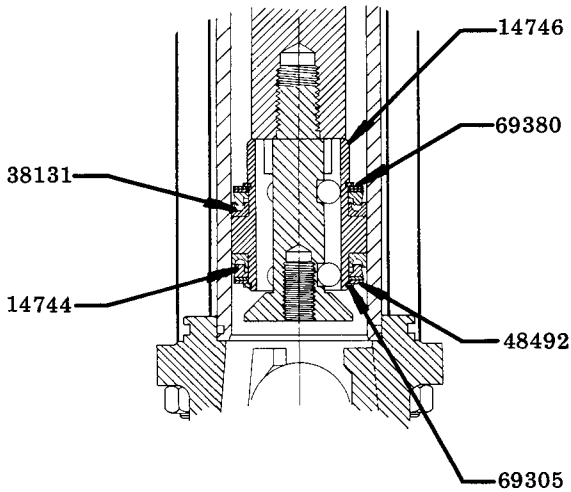
SECTION **-K4**  
PAGE **-23**

## TO CONVERT PISTON PACKINGS



### STANDARD PISTON ASSEMBLY

Remove the following parts;  
14561, 34513, 48476, 69305.



### INSTALLATION PROCEDURE

Invert 38132 "U" cup packing and force over Piston Rod. (This is done to "size" the packing bore.) Remove 38132 "U" cup packing from Piston Rod.

Assemble all parts included in the Gland Assembly. Do not tighten the four 50109 Socket Head Cap Screws at this time.

Screw Gland Assembly into Pump Outlet Casting.

Insert Piston Rod up through Gland Assembly and tighten the four 50109 Socket Head Cap Screws

Assemble all parts of the Piston Assembly together. Using existing Steel Balls, assemble Piston Assembly onto check, then screw check into bottom of Piston Rod.

Re-Assemble pump tube to complete installation of "Teflon" Packing Kit.

### MODEL 83980

| PART NO. | QUAN. | DESCRIPTION                  |
|----------|-------|------------------------------|
| 14743    | 1     | Expander                     |
| 14744    | 2     | Spreader                     |
| 14746    | 1     | Piston                       |
| 38131    | 2     | "U" Cup Packing              |
| 38132    | 1     | "U" Cup Packing              |
| 48492    | 2     | Washer                       |
| 48493    | 1     | Metal Plate Washer           |
| 50109    | 4     | Socket Head Cap Screw        |
| 69305    | 2     | Retaining Ring               |
| 69380    | 3     | Wave Washer                  |
| 92456    | 1     | Bushing & Gland Nut Assembly |

### RETAIN THIS INFORMATION FOR FUTURE REFERENCE

When ordering replacement parts, list: Part Number, Description, Model Number, and Series Letter.  
LINCOLN ST. LOUIS provides a Distributor Network that stocks equipment and replacement parts.  
A list of Authorized Service Departments will be furnished upon request.