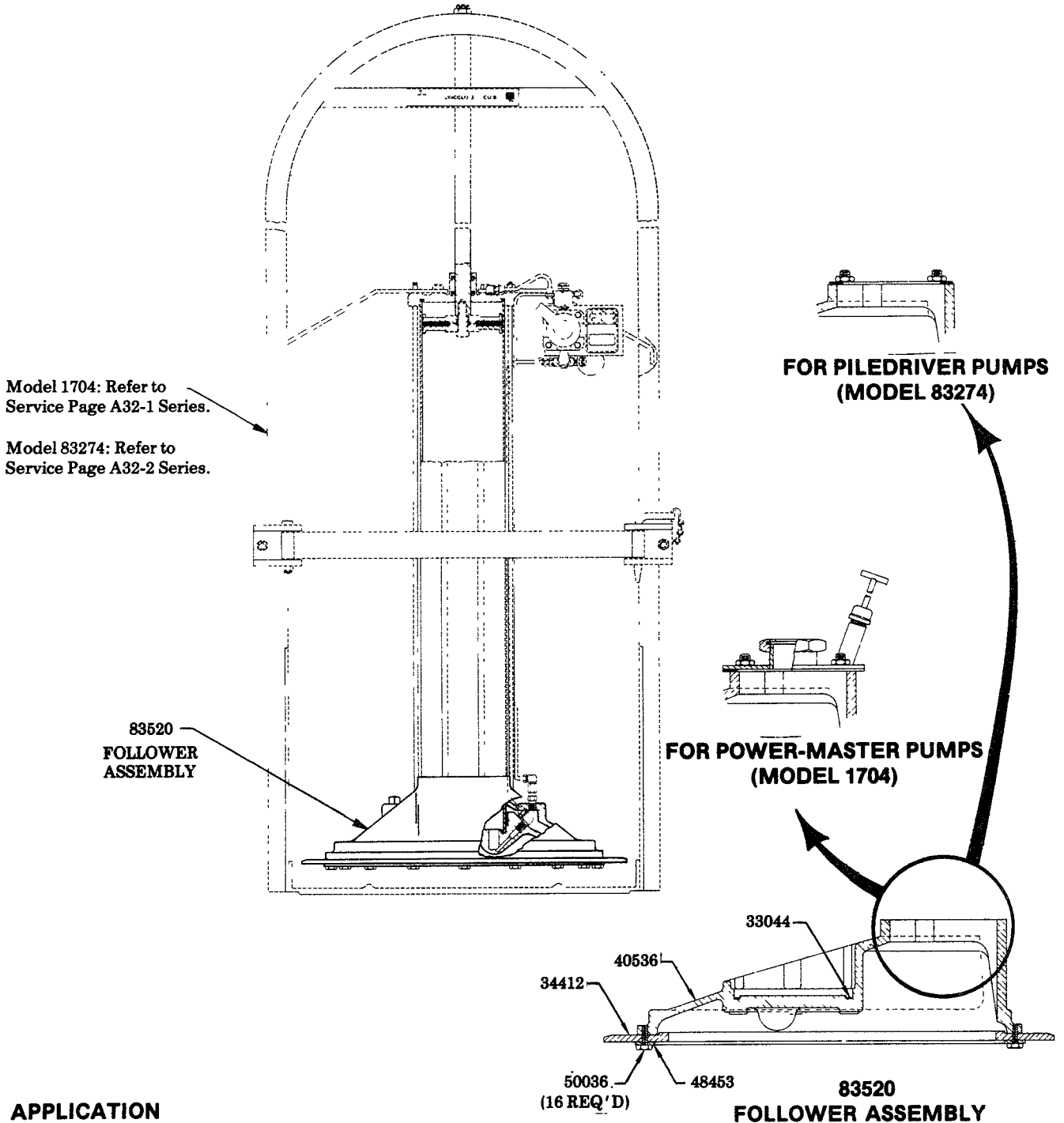


1704

FOLLOWER KITS

BLADE-TYPE

ACCESSORY FOR MODELS 1704 AND 83274



APPLICATION

The 83520 Blade-Type Follower allows for a larger drum variation than the hose type Follower, and provides a better seal and wiping action with light materials.

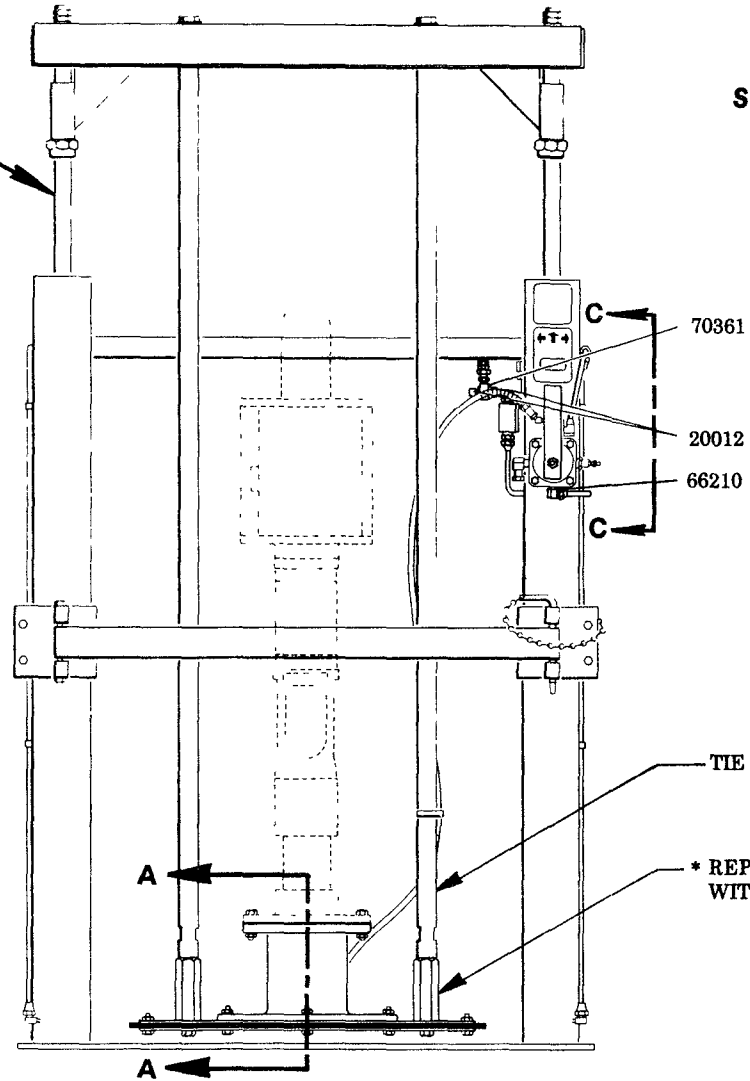
NOTE: When used with light materials, air pressure to primer air cylinder must be 10 P.S.I. or less.

LINCOLN
A DIVISION OF
McNEIL CORPORATION

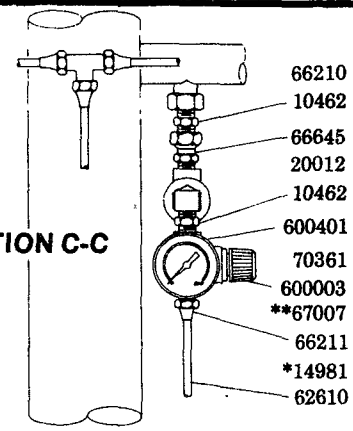
One Lincoln Way
St. Louis, MO 63120-1578
(314) 679-4200

SECTION - **K4**
PAGE - **27B**

MODEL 1735



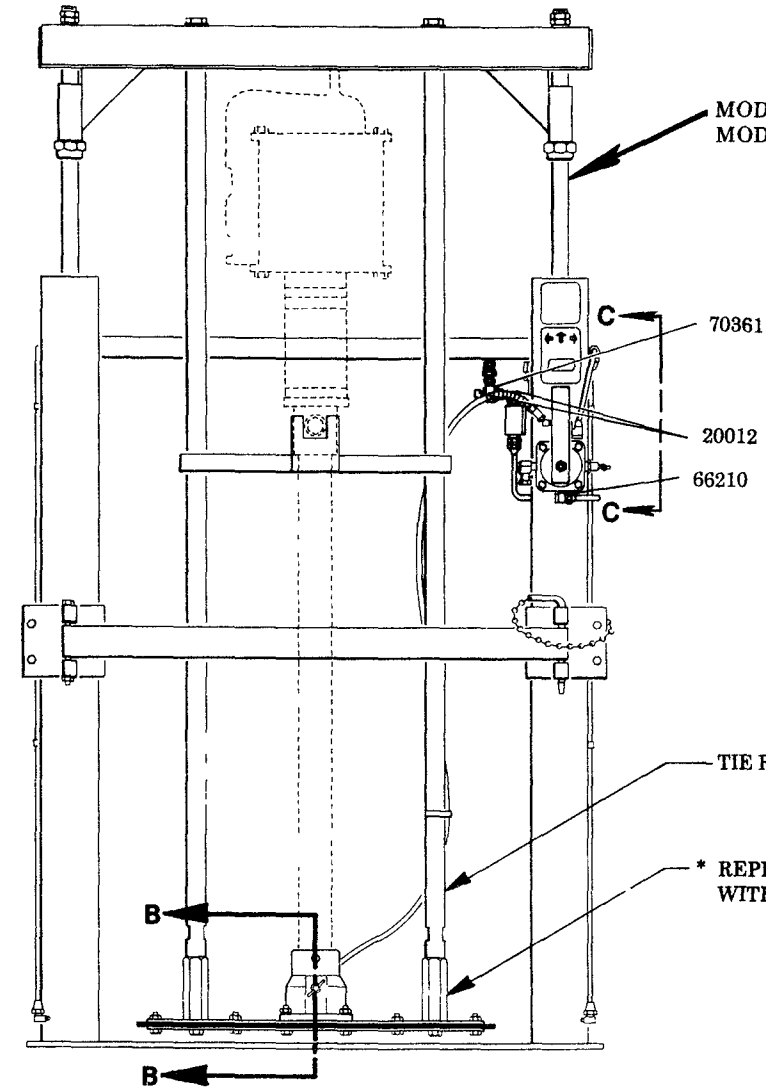
SECTION C-C



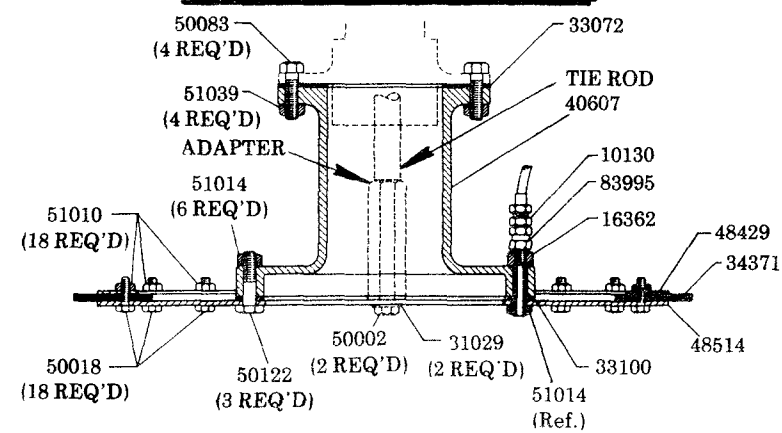
MODEL 84185 AIR CONTROL ASSEMBLY

** 67007 PLUG LOCATED IN PORT ON BACKSIDE OF 600003 REGULATOR

MODEL 1736
MODEL 1736K

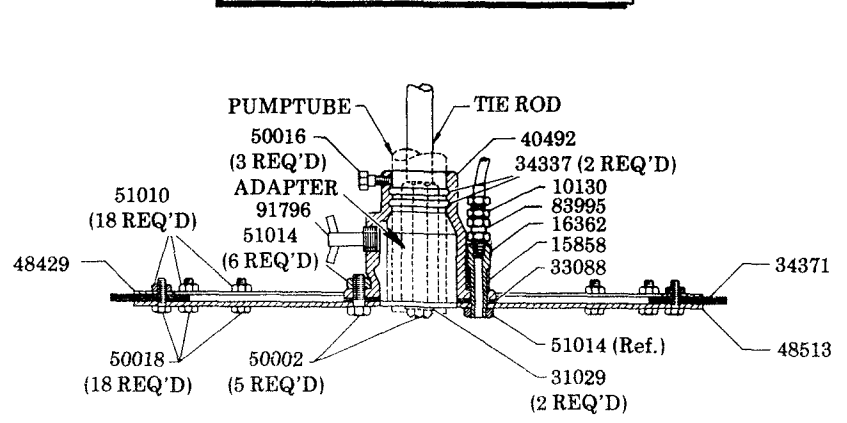


SEC. A-A
MODEL 83793 FOLLOWER ASSEMBLY



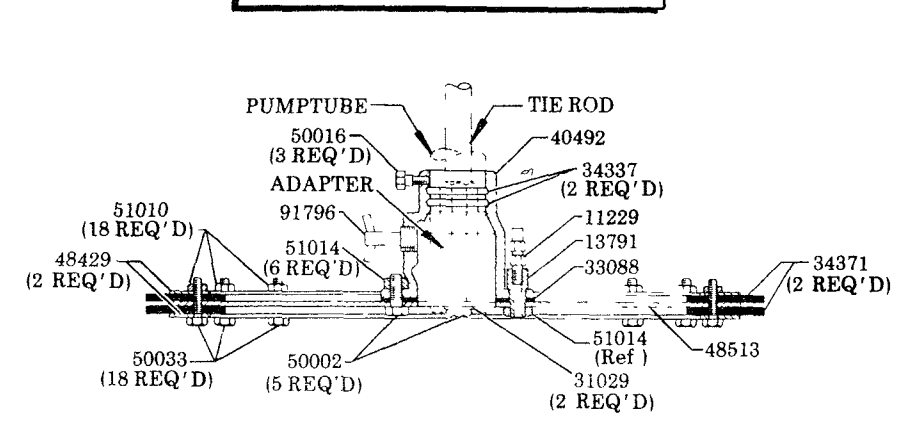
KIT MODEL 84172
FOR MODEL 1735 PILEDRIVER PUMP
Includes 83793 Follower Assembly
and 84185 Air Control Assembly

SEC. B-B
MODEL 83286 FOLLOWER ASSEMBLY



KIT MODEL 84173
FOR MODEL 1736
Includes 83286 Follower Assembly
and 84185 Air Control Assembly.

SEC. B-B
MODEL 83286K FOLLOWER ASSEMBLY



FOR MODEL 1736K
(DUAL-BLADE)

SERVICE PARTS

PART	DESCRIPTION	PART	DESCRIPTION
10130	Nipple	50018	Screw
10462	Nipple	50033	Screw
11229	Adapter	50036	Screw
13791	Adapter	50083	Screw
14981	Adapter	50122	Screw
15858	Spacer	51010	Nut
16362	Adapter	51014	Nut
20012	Elbow	51039	Nut
31029	Gasket	62610	Tube
33044	Air cylinder gasket	66210	90° Tube connector
33072	Gasket	66211	Tube connector
33088	Gasket	66645	Adapter union
33100	Gasket	67007	Plug
34337	O-ring	70361	Quick exhaust air valve
34371	Wiper	83286	Follower assembly
34412	Wiper	82286K	Follower assembly (Dual-blade)
40536	Follower	83520	Follower assembly
40607	Follower	83793	Follower assembly
40492	Follower	83995	Line check
48429	Wiper ring	84172	Wiper kit (Model 1735)
48453	Follower ring	84173	Wiper kit (Model 1736)
48513	Wiper ring	84185	Air control assembly
48514	Wiper ring	91796	Tee handle plug
50002	Screw	600003	Miniature air regulator
50016	Screw	600401	Pressure gauge

RETAIN THIS INFORMATION FOR FUTURE REFERENCE

When ordering replacement parts, list: Part Number, Description, Model Number, and Series Letter.
LINCOLN ST. LOUIS provides a Distributor Network that stocks equipment and replacement parts.
 A list of Authorized Service Departments will be furnished upon request.