

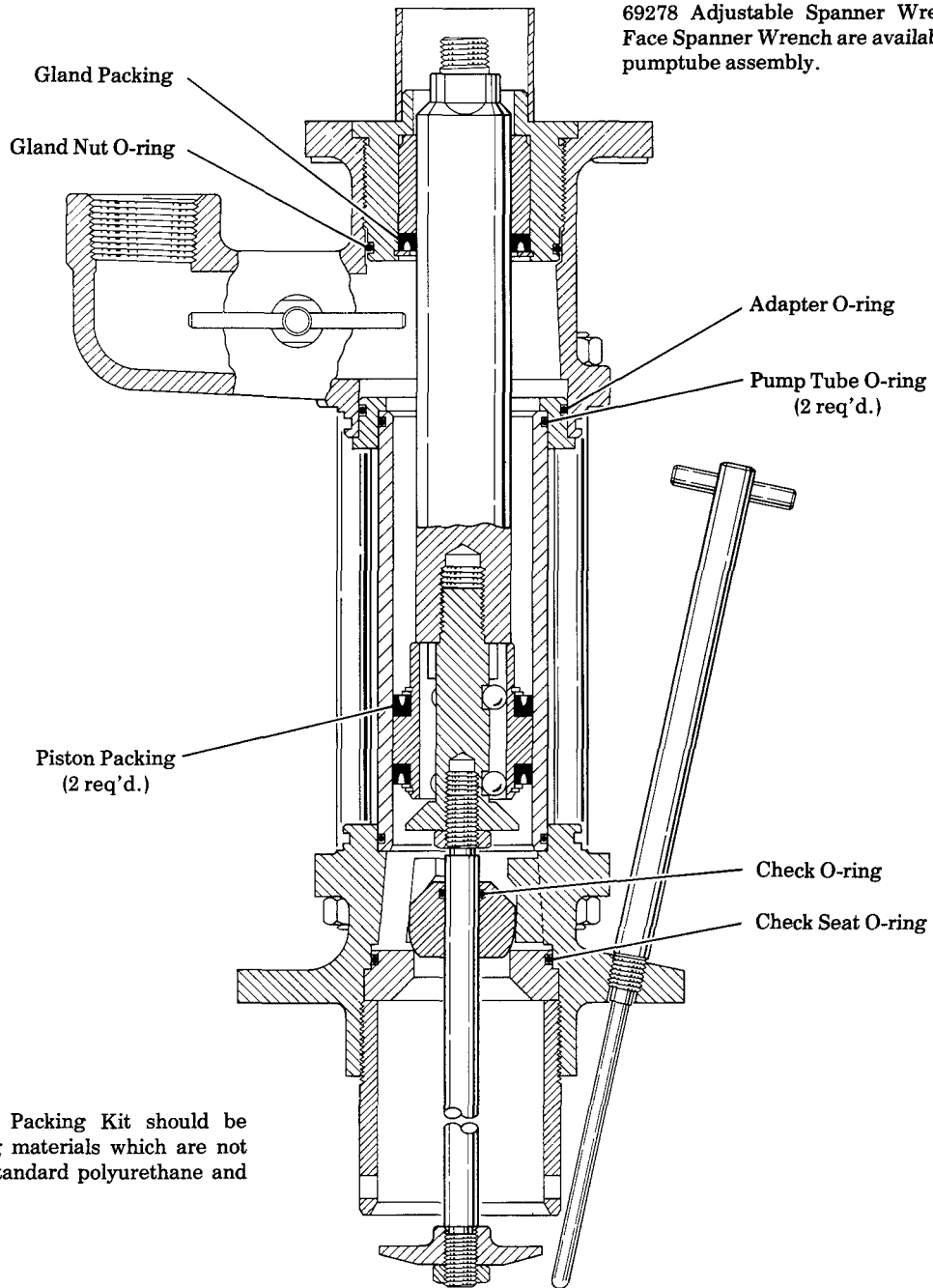
UHMW POLYETHYLENE PACKING KIT



Model 84398

FOR MODEL 83612

69278 Adjustable Spanner Wrench and 69294 Face Spanner Wrench are available for service of pumptube assembly.



NOTE:

UHMW Polyethylene Packing Kit should be used when dispensing materials which are not compatible with the standard polyurethane and Buna-N packings.

	GLAND NUT O-RING	PUMP TUBE O-RING	CHECK SEAT O-RING	CHECK O-RING	ADAPTER O-RING	PISTON PACKING	GLAND PACKING
STANDARD POLYURETHANE & BUNA-N PACKINGS	34351	34377	34414	34415	34471	34513	34514
MODEL 84398 REPLACEMENT PACKINGS	34789	34790	34791	34536	34784	38502	38503

LINCOLN ST. LOUIS
4010 GOODFELLOW BLVD · ST. LOUIS, MO 63120 · (314) 383 5900



A DIVISION OF
McNEIL
CORPORATION

SECTION **-K4**
PAGE **-28**