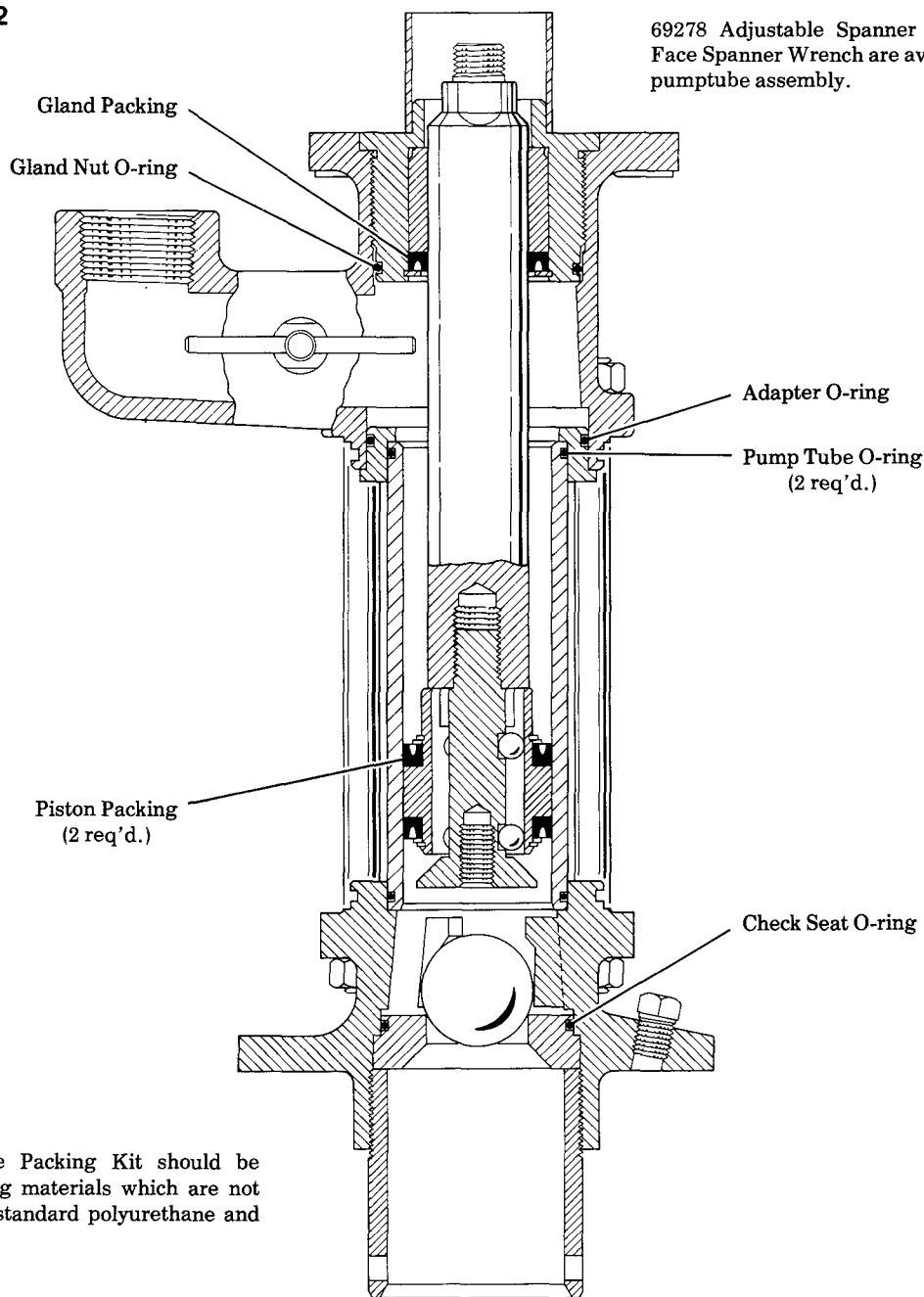


UHMW POLYETHYLENE PACKING KIT



Model 84397

FOR MODEL 83602



69278 Adjustable Spanner Wrench and 69294 Face Spanner Wrench are available for service of pump tube assembly.

NOTE:

UHMW Polyethylene Packing Kit should be used when dispensing materials which are not compatible with the standard polyurethane and Buna-N packings.

	GLAND NUT O-RING	PUMP TUBE O-RING	CHECK SEAT O-RING	ADAPTER O-RING	PISTON PACKING	GLAND PACKING
STANDARD POLYURETHANE & BUNA-N PACKINGS	34351	34377	34414	34471	34513	34514
MODEL 84397 REPLACEMENT PACKINGS	34789	34790	34791	34784	38502	38503

LINCOLN ST. LOUIS
4010 GOODFELLOW BLVD. • ST. LOUIS, MO. 63120 • (314) 383-5900



A DIVISION OF
McNEIL
CORPORATION

SECTION - **K4**
PAGE - **29**