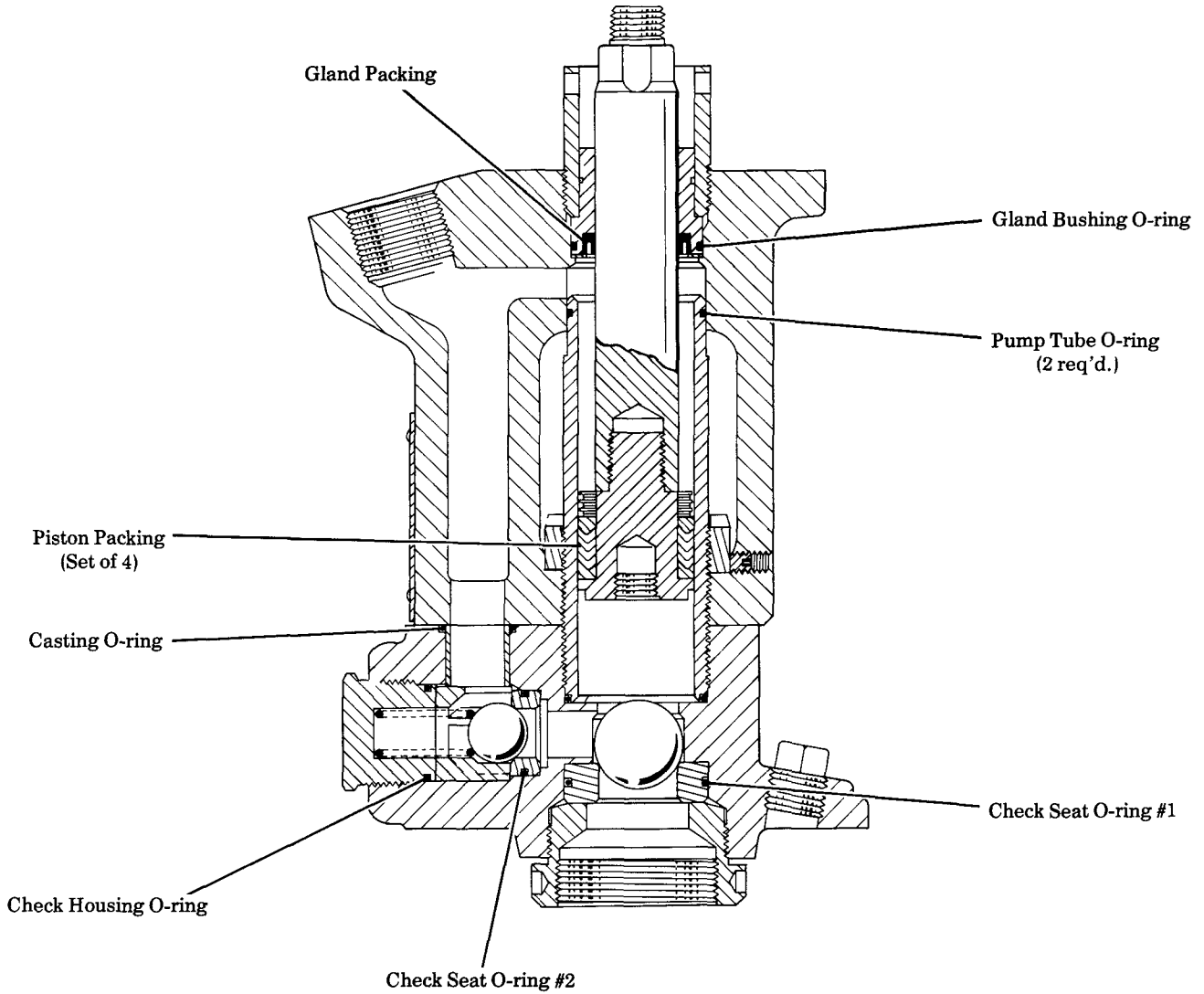


UHMW POLYETHYLENE PACKING KIT



Model 84399

FOR MODEL 84402



	GLAND BUSHING O-RING	PUMP TUBE O-RING	CHECK SEAT O-RING #1	CHECK SEAT O-RING #2	CHECK HOUSING O-RING
STANDARD POLYURETHANE & LEATHER PACKINGS	34700	34708	34708	34709	34711
MODEL 84399 REPLACEMENT KIT	34785	34786	34786	34787	34788

CASTING O-RING	GLAND PACKING	PISTON PACKING (Set of 4)
34712	34713	36046
34537	38508	37011

NOTE: UHMW Polyethylene Packing Kit should be used when dispensing materials which are not compatible with the standard polyurethane and leather packings.

LINCOLN ST. LOUIS
4010 GOODFELLOW BLVD · ST. LOUIS, MO 63120 · (314) 383-5900



A DIVISION OF
McNEIL
CORPORATION

SECTION - **K4**
PAGE - **30**