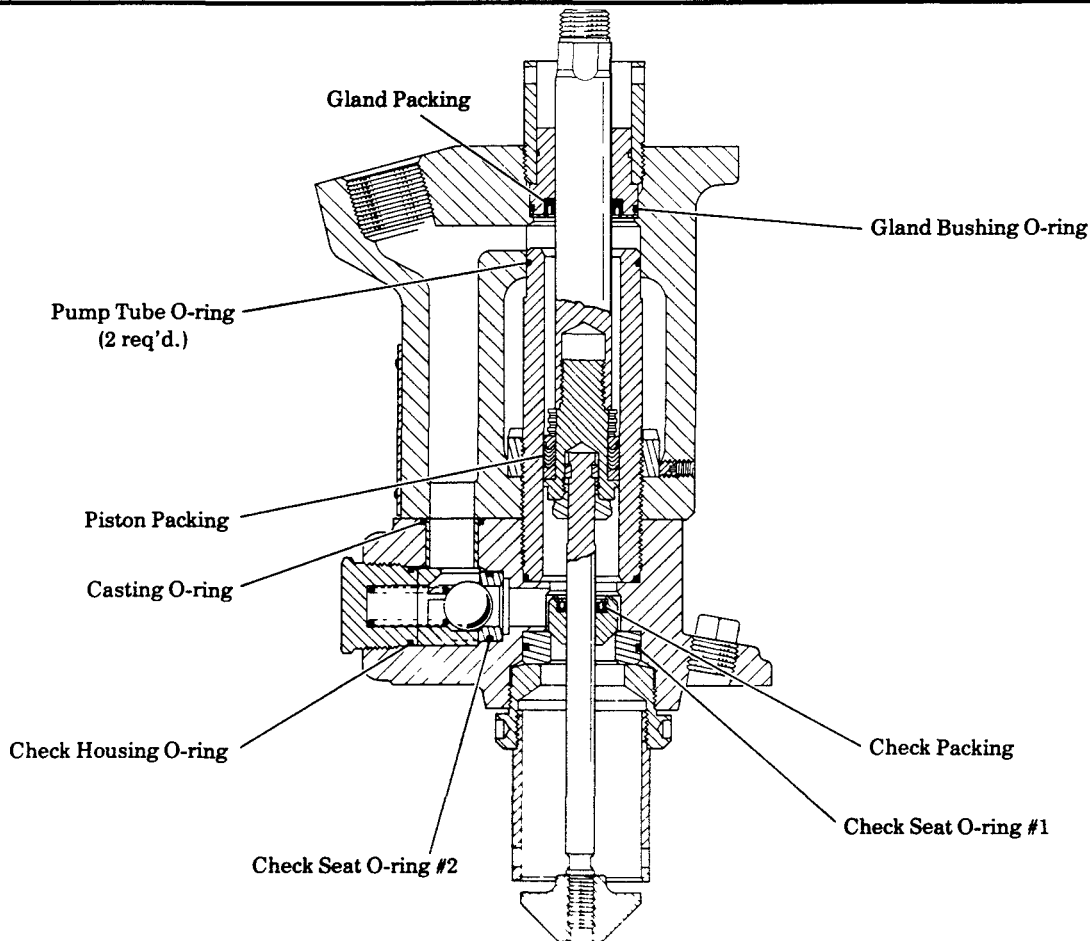


UHMW POLYETHYLENE PACKING KIT

Models 84407, 84408 84409, 84410



NOTE:

UHMW Polyethylene Packing Kit should be used when dispensing materials which are not compatible with the standard polyurethane and leather packings.

PUMPTUBE MODEL & PACKING KIT	PACKING MATERIAL	GLAND PACKING	PISTON (Set PACKING of)
MODEL 84412 #84407 PACKING KIT	Standard	34701	36046 (4)
	Polyethylene	38504	37011 (4)
MODEL 84413 #84408 PACKING KIT	Standard	34421	36043 (4)
	Polyethylene	38501	37012 (4)
MODEL 84414 #84409 PACKING KIT	Standard	34704	36044 (5)
	Polyethylene	38506	37013 (5)
MODEL 84415 #84410 PACKING KIT	Standard	34703	36045 (5)
	Polyethylene	38505	37014 (5)

	GLAND BUSHING O-RING	PUMP TUBE O-RING	CHECK SEAT O-RING #1	CHECK SEAT O-RING #2	CHECK PACKING	CHECK HOUSING O-RING	CASTING O-RING
STANDARD POLYURETHANE & LEATHER PACKINGS	34700	34708	34708	34709	34710	34711	34712
UHMW POLYETHYLENE REPLACEMENT PACKINGS (Common in all kits)	34785	34786	34786	34787	38507	34788	34537

LINCOLN ST. LOUIS
4010 GOODFELLOW BLVD • ST. LOUIS, MO 63120 • (314) 383 5900



A DIVISION OF
McNEIL
CORPORATION

SECTION - **K4**
PAGE - **31**