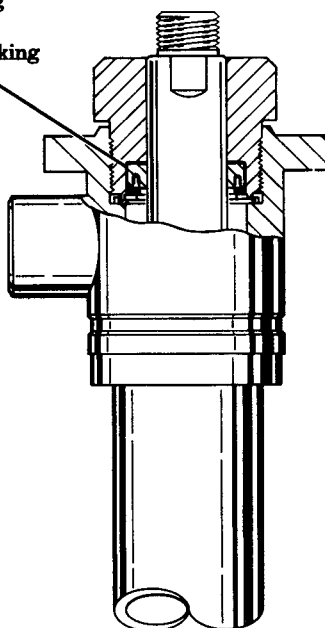




FOR MODEL 82790-9 PUMPTUBE

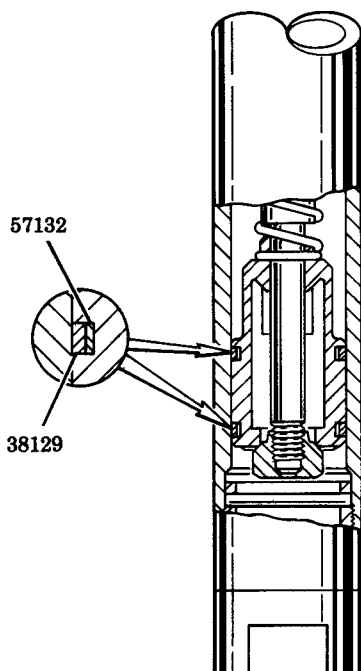
38201 Gland Packing
Replaces standard
34401 Polyurethane Packing



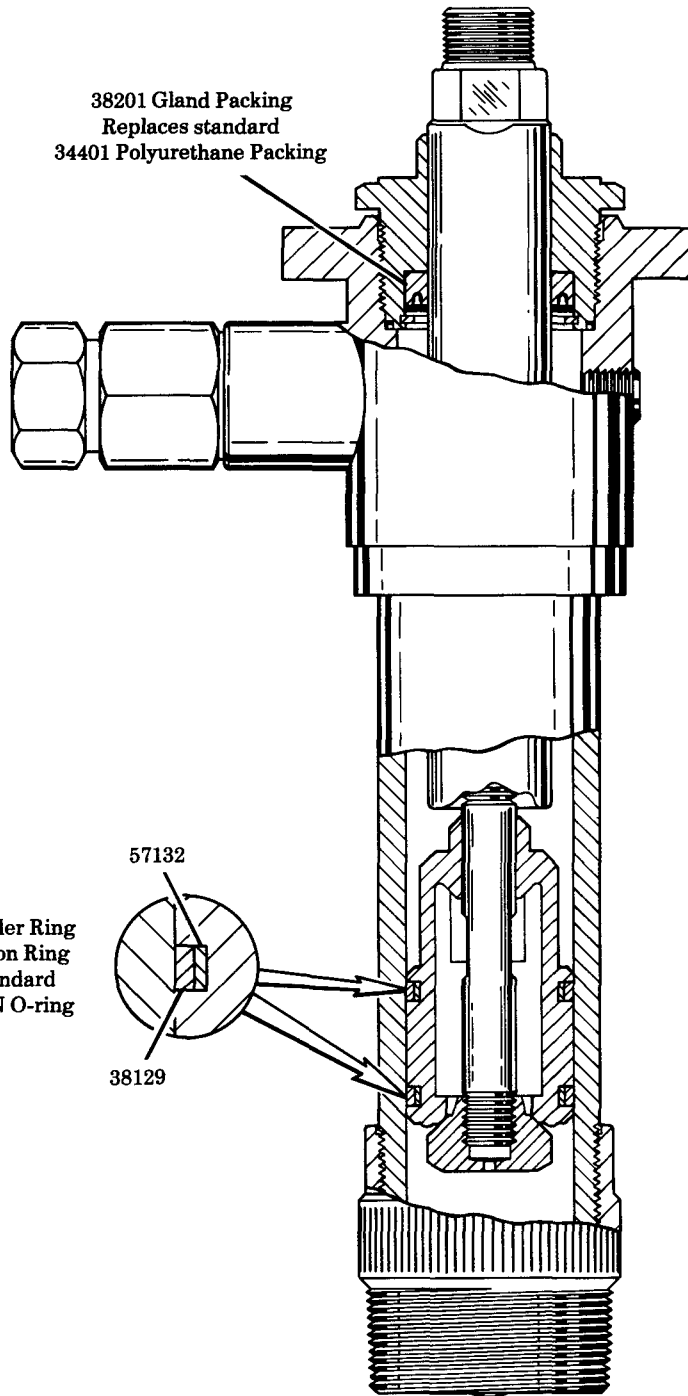
NOTE:

Teflon Packing Kit should be used when dispensing materials which are not compatible with the standard polyurethane packings.

57132 Expander Ring
& 38129 Piston Ring
Replace standard
34441 Polyurethane O-ring



FOR MODEL 84335 PUMPTUBE



38201 Gland Packing
Replaces standard
34401 Polyurethane Packing

57132 Expander Ring
& 38129 Piston Ring
Replace standard
34262 Buna-N O-ring

57132
38129

NOTE:

Teflon Packing Kit should be used when dispensing materials which are not compatible with the standard Polyurethane and Buna-N packings.

RETAIN THIS INFORMATION FOR FUTURE REFERENCE

When ordering replacement parts, list: Part Number, Description, Model Number, and Series Letter.

LINCOLN ST. LOUIS provides a Distributor Network that stocks equipment and replacement parts.

A list of Authorized Service Departments will be furnished upon request.