

STANDPIPE ASSEMBLY

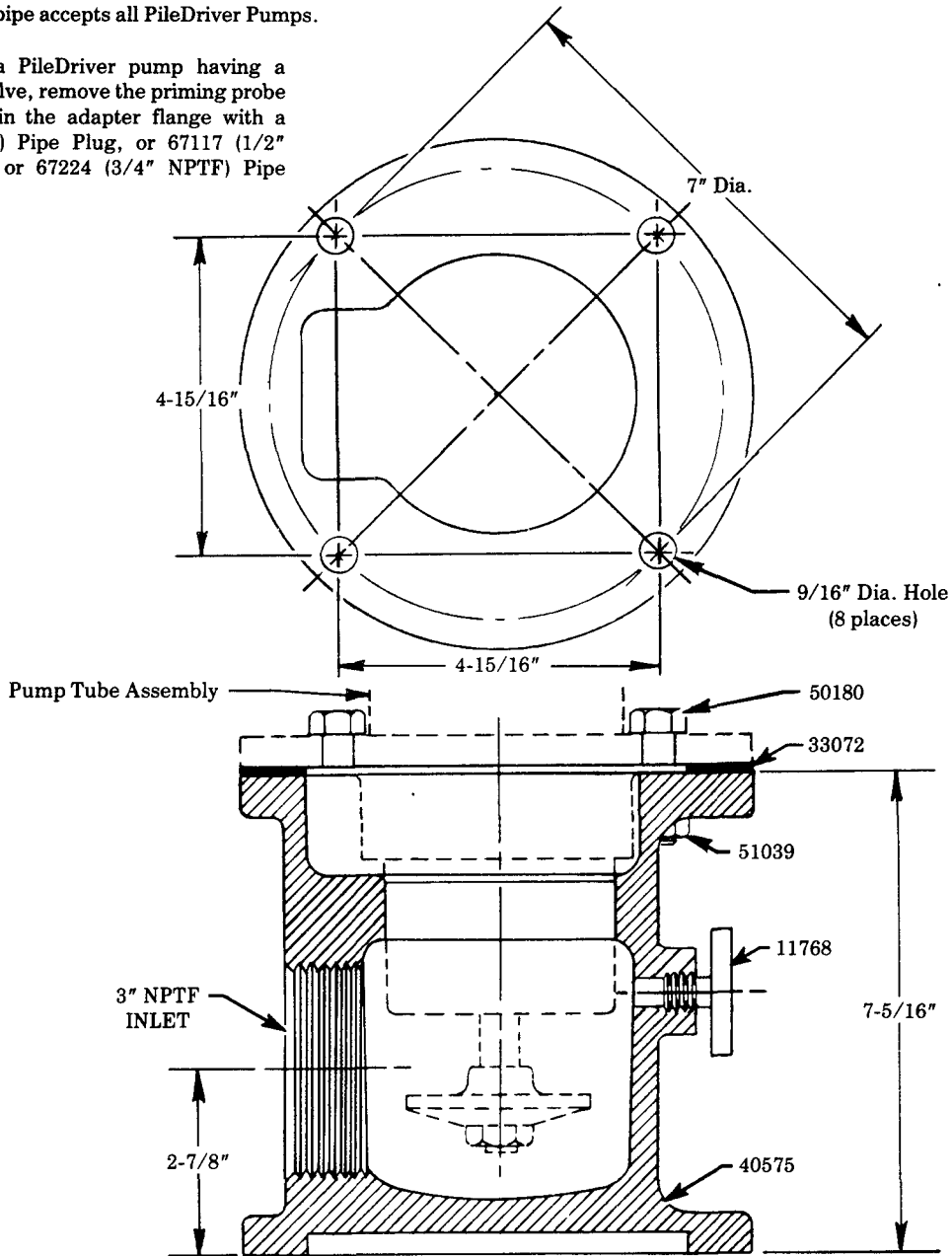
FOR USE WITH PILE DRIVER PUMPS



Model 83720

Model 83720 Standpipe accepts all PileDriver Pumps.

When used with a PileDriver pump having a shovel-type inlet valve, remove the priming probe and seal the hole in the adapter flange with a 67044 (3/8" NPTF) Pipe Plug, or 67117 (1/2" NPTF) Pipe Plug, or 67224 (3/4" NPTF) Pipe Plug.



SERVICE PARTS

PART	QUAN.	DESCRIPTION
11768	1	Tee handle plug
33072	1	Gasket
40575	1	Standpipe casting
50180	4	Bolt
51039	4	Nut
67044	1	Pipe plug
67117	1	Pipe plug
67224	1	Pipe plug

LINCOLN ST. LOUIS
4010 GOODFELLOW BLVD • ST. LOUIS, MO 63120 • (314) 383 5900



A DIVISION OF
McNEIL
CORPORATION

SECTION - **K4**
PAGE - **3A**