

LAP-FIT GLAND KIT

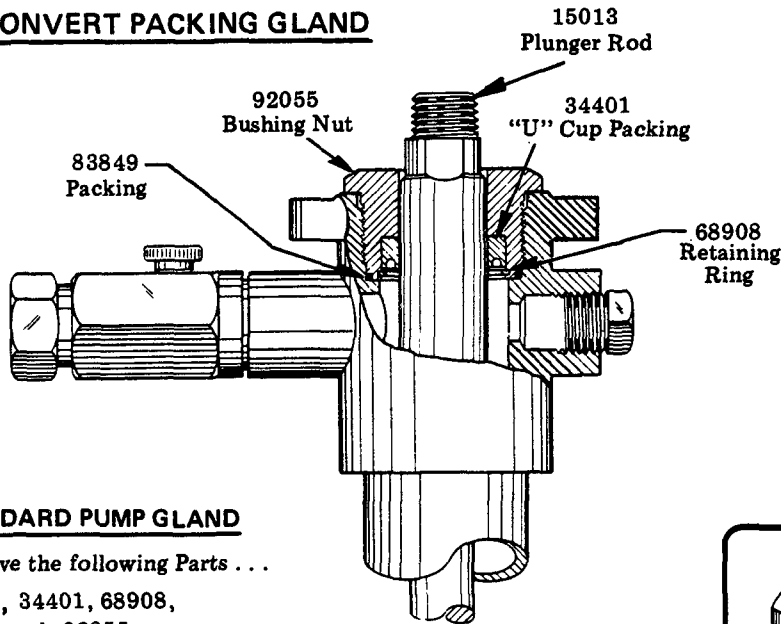
FOR POWER MASTER PUMP TUBE

Model 82920

Model 82920 Will fit the following
Power-Master Pump Tubes; 82773, 82790,
82887 and 83239.

The Lap-Fit Gland Kit should be used
when dispensing abrasive materials. Model
84112 Leather Piston Kit is recommended
for use in conjunction with Model 82920.

TO CONVERT PACKING GLAND

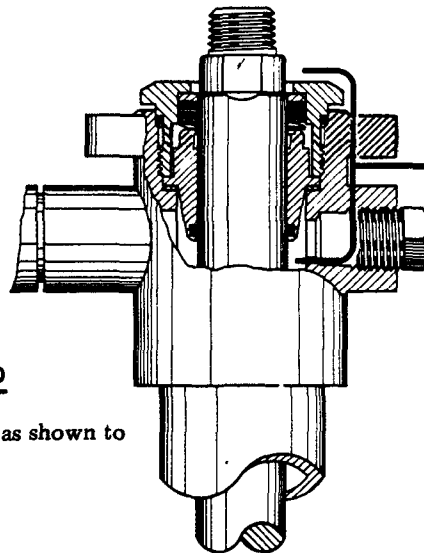


MODEL 82920

PART NO.	DESCRIPTION
13232	Gland Packing Nut
13259	Washer
31120	Gasket
34259	"O" Ring
34304	Packing
34314	"O" Ring
48390	Washer
68523	Spring Washer
92734	Lap Fitted Bushing and Plunger

STANDARD PUMP GLAND

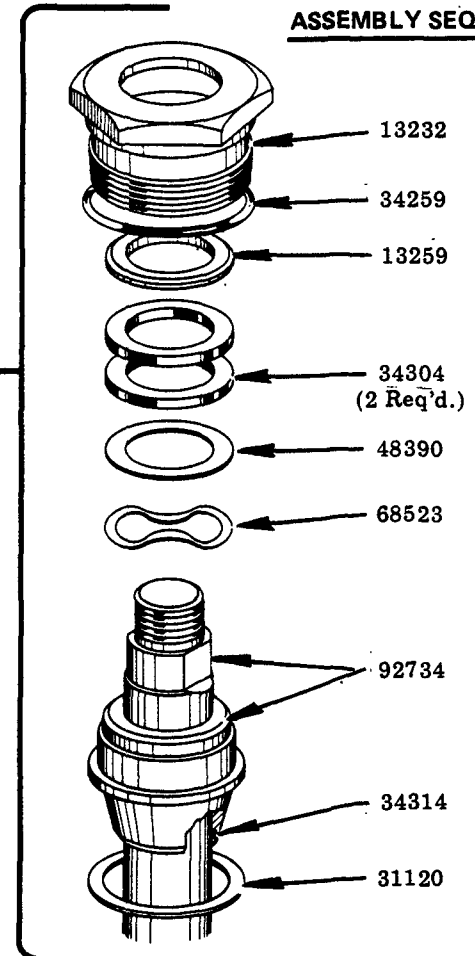
Remove the following Parts . . .
15013, 34401, 68908,
83849 and 92055.



82920 LAP-FIT GLAND

Parts must be assembled as shown to
assure proper operation.

ASSEMBLY SEQUENCE



LINCOLN

LINCOLN, One Lincoln Way
St. Louis, Missouri 63120-1578
(314) 679-4200 Customer Service, (314) 679-4300

SECTION - **K4**
PAGE - **4**