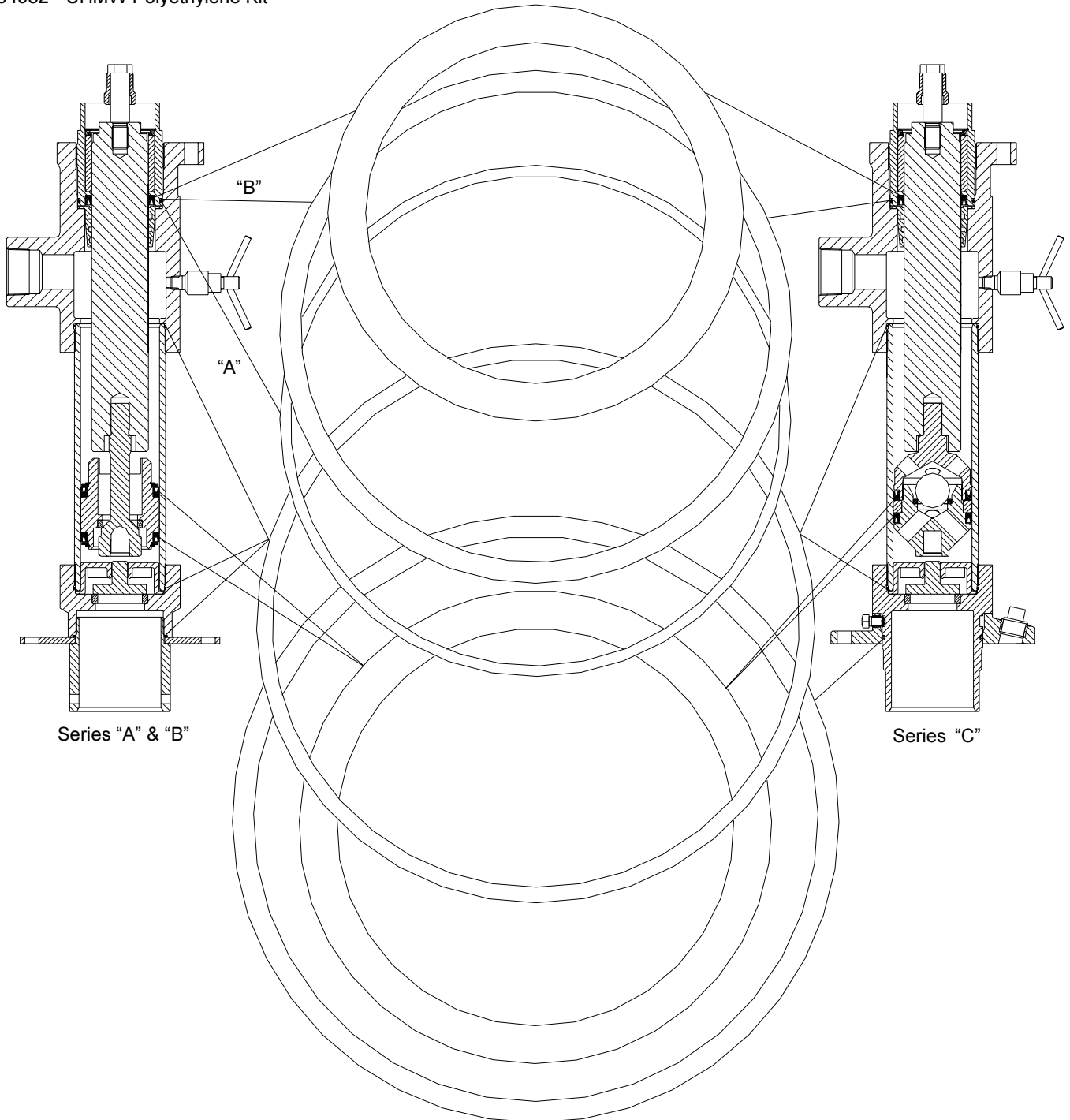


**For Model 84922 Pumptube**

84930 - Polyurethane Kit (Standard)

84931 - Teflon Kit

84932 - UHMW Polyethylene Kit



Seals shown actual size. 84930 Polyurethane Kit contains all seals shown.  
84931 Teflon and 84932 UHMW Polyethylene Kits contain gland and piston U-cups only.