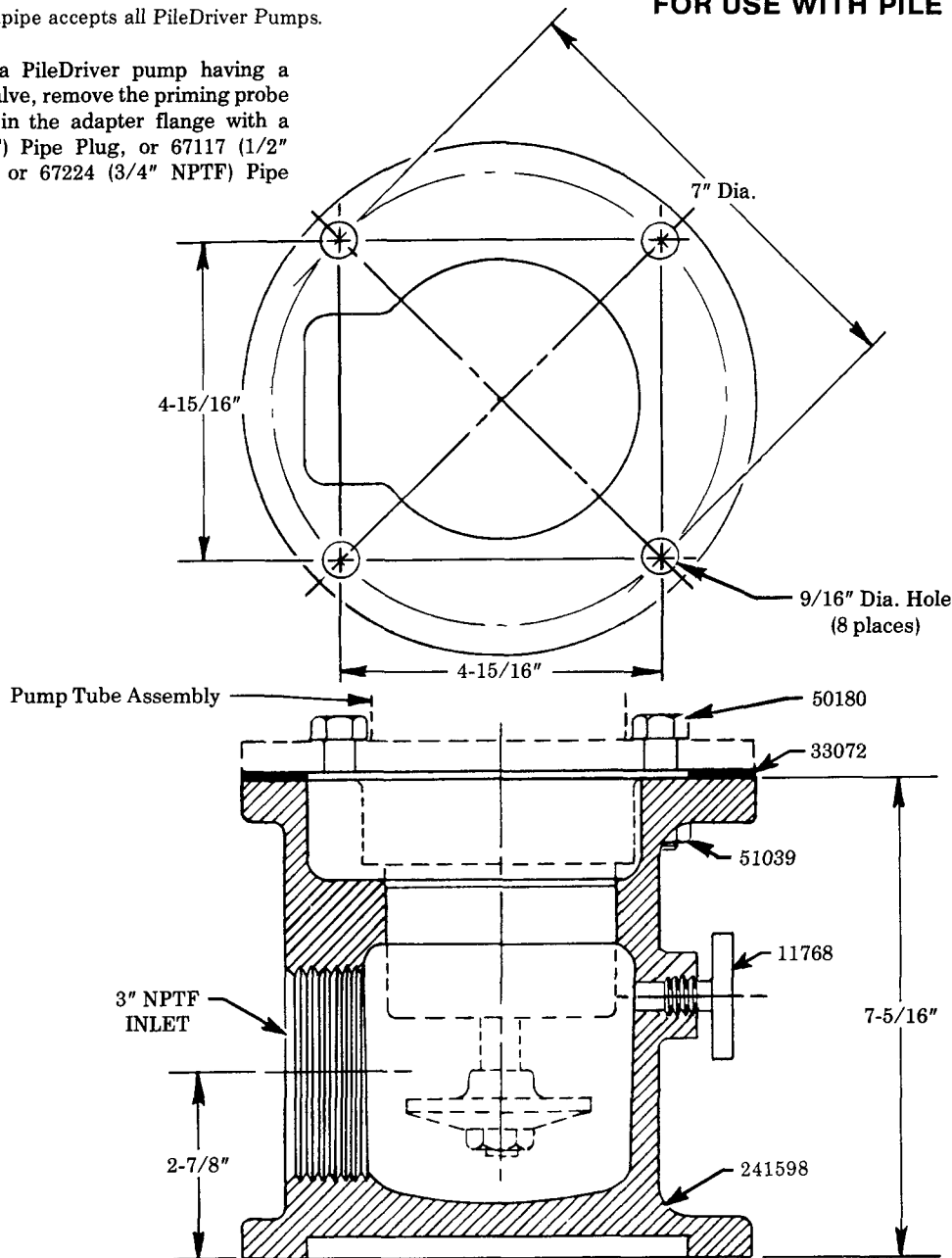


Model 83727 Standpipe accepts all PileDriver Pumps.

FOR USE WITH PILE DRIVER PUMPS

When used with a PileDriver pump having a shovel-type inlet valve, remove the priming probe and seal the hole in the adapter flange with a 67044 (3/8" NPTF) Pipe Plug, or 67117 (1/2" NPTF) Pipe Plug, or 67224 (3/4" NPTF) Pipe Plug.



SERVICE PARTS

Part	Qty.	Description
11768	1	Tee handle plug
33072	1	Gasket
50180	4	Bolt
51039	4	Nut
67044	1	Pipe plug
67117	1	Pipe plug
67224	1	Pipe plug
241598	1	Standpipe casting