

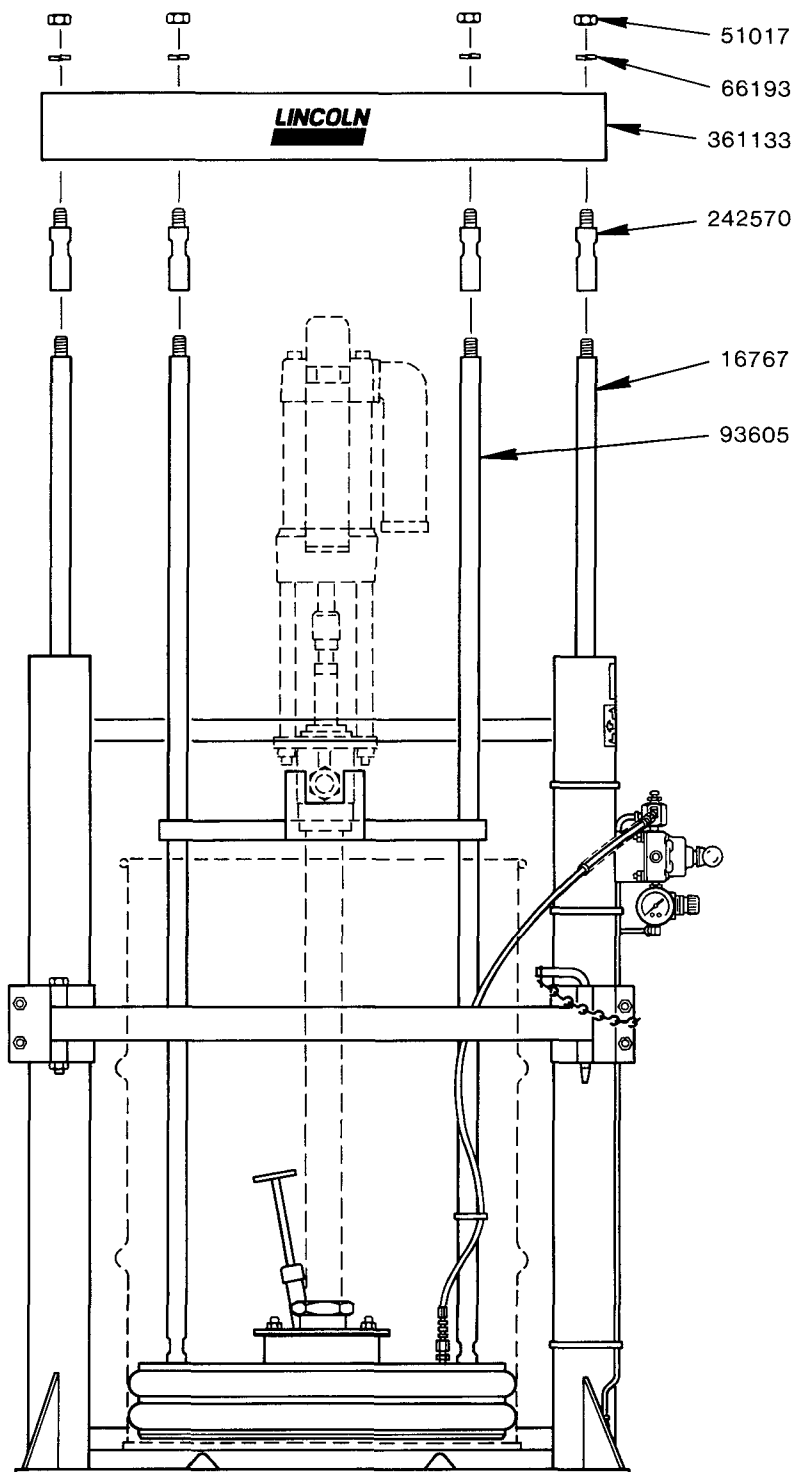
**FOR MODEL 1736
WHEN USING
THE FOLLOWING
POWER MASTER III
DRUM PUMPS:**

Models

2001, 2001-7, 2001-8, 2001-9
2021, 2021-7, 2021-8, 2021-9
2052, 2052-7, 2052-8, 2052-9
2061, 2061-7, 2061-8, 2061-9

**INSTALLATION
INSTRUCTIONS**

1. Remove Channel Assembly 361133.
2. Assemble Adapters 242570 to the 93605 Tie Rods and 16767 Piston Rods (4 places). Tighten securely.
3. Reassemble Channel Assembly onto Adapters using existing nuts and washers. Tighten securely.



**Model 1736
400 LB. PRESSURE PRIMER
FOR POWER-MASTER PUMPS**