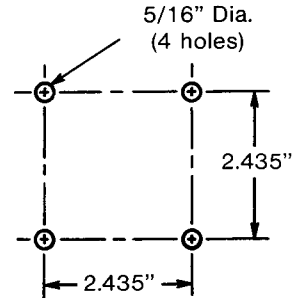
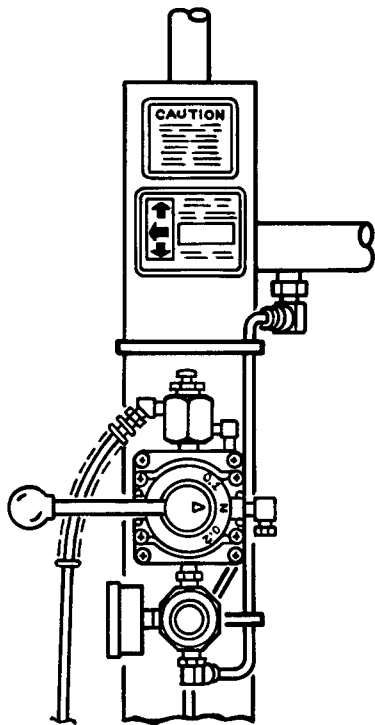


**INSTRUCTIONS FOR
REPLACING HAND VALVE**

1. If replacing old style Hand Valve 84493 with new style Hand Valve 237588, then new mounting hole pattern is required (see illustration).
2. Extra screws and nuts are provided for mounting new hand valve on some mounting plates which have smaller holes.
3. Hand valve **must be** mounted with handle positioned as in illustrations below. **Handle must be in horizontal position as shown.**
4. Name plate **must be** put onto pressure primer with arrows pointing up and down per illustrations below.
5. Some air tubing alterations might be required.



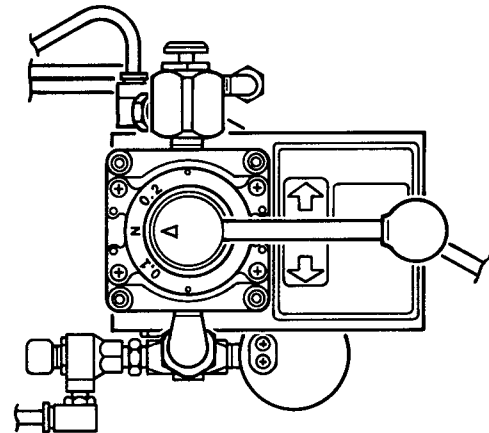
**MOUNTING HOLE
PATTERN**



Model 1735

WARNING

When hand valve handle is moved to upward position, pressure primer channel and pump will move up. When hand valve handle is moved to downward position, pressure primer channel and pump will move down.



Model 83274