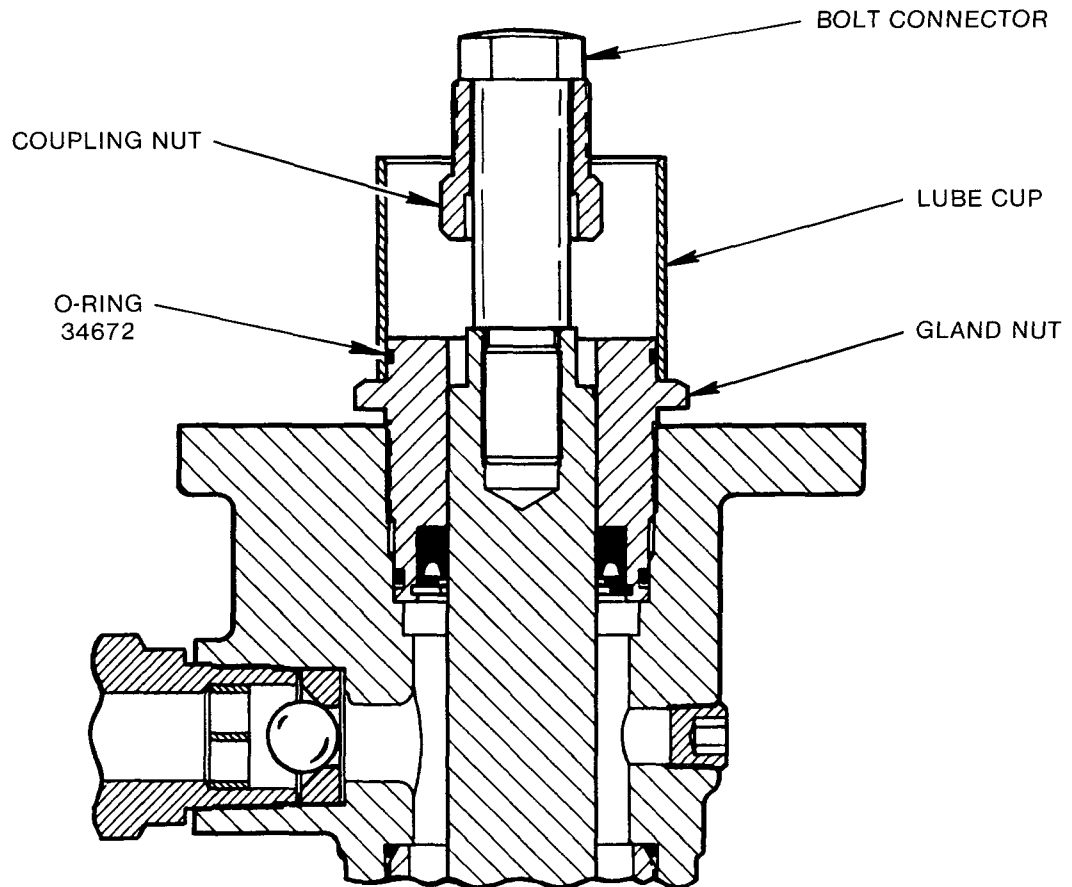


FOR USE ON ALL POWER-MASTER III PUMP TUBES



DESCRIPTION

Lube cup should be half filled with a fluid which is compatible with the material being pumped. This will prevent material from drying out on plunger. Do not fill lube cup to full capacity, as the reciprocating movement of the pump may splash fluid from cup.

ASSEMBLY PROCEDURE

- 1) Put O-ring into groove on gland nut.
- 2) Slide lube cup over end of gland nut until it seats on shoulder.
- 3) Assemble airmotor and pump tube per directions in airmotor or pump tube owner's manual.