

1. Connect Air Line to Air Motor during pumping operation.
2. Connect Air Line to hoist Air Nipple to raise unit.
3. Disconnect Air Line completely to lower unit.

84141 INSTALLED ON 1716, 1719, 2716 AND 2719 PUMP HOISTS

Assembly is fastened to the adapter on the support tube assembly with the two 50055 bolts and 51001 nuts.

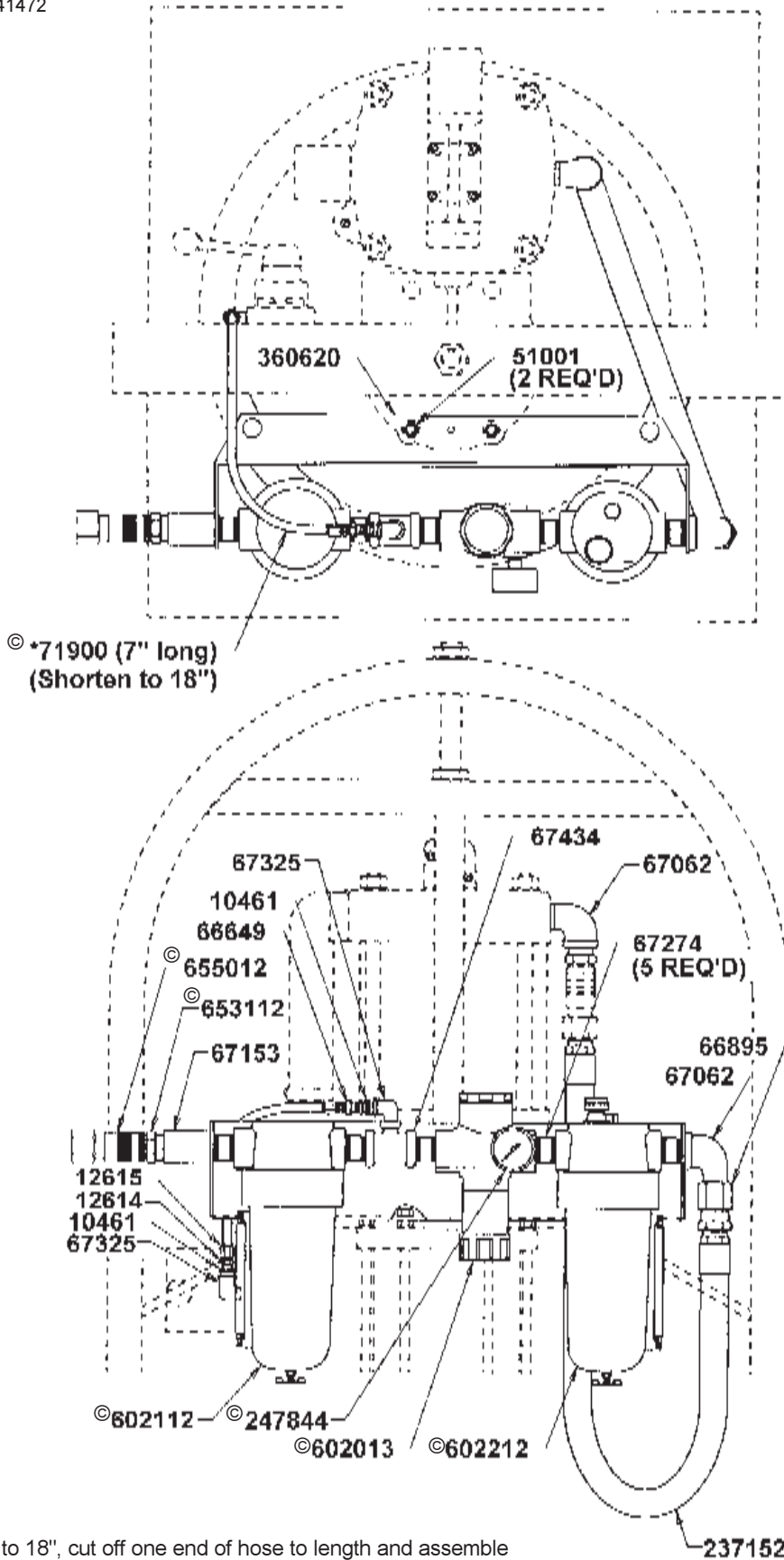
Kit parts not used on this installation:
10461(2), 66649, 67325(2),
237176, 241472, 12614, 12615

© Indicates Change

84141 INSTALLED ON 1704 AND 83274 PRESSURE PRIMER

Assembly is fastened to the two tie rod ends of the pressure primer air cylinder with two 51001 nuts.

Kit parts not used on this installation:
50055(2), 67007, 241472



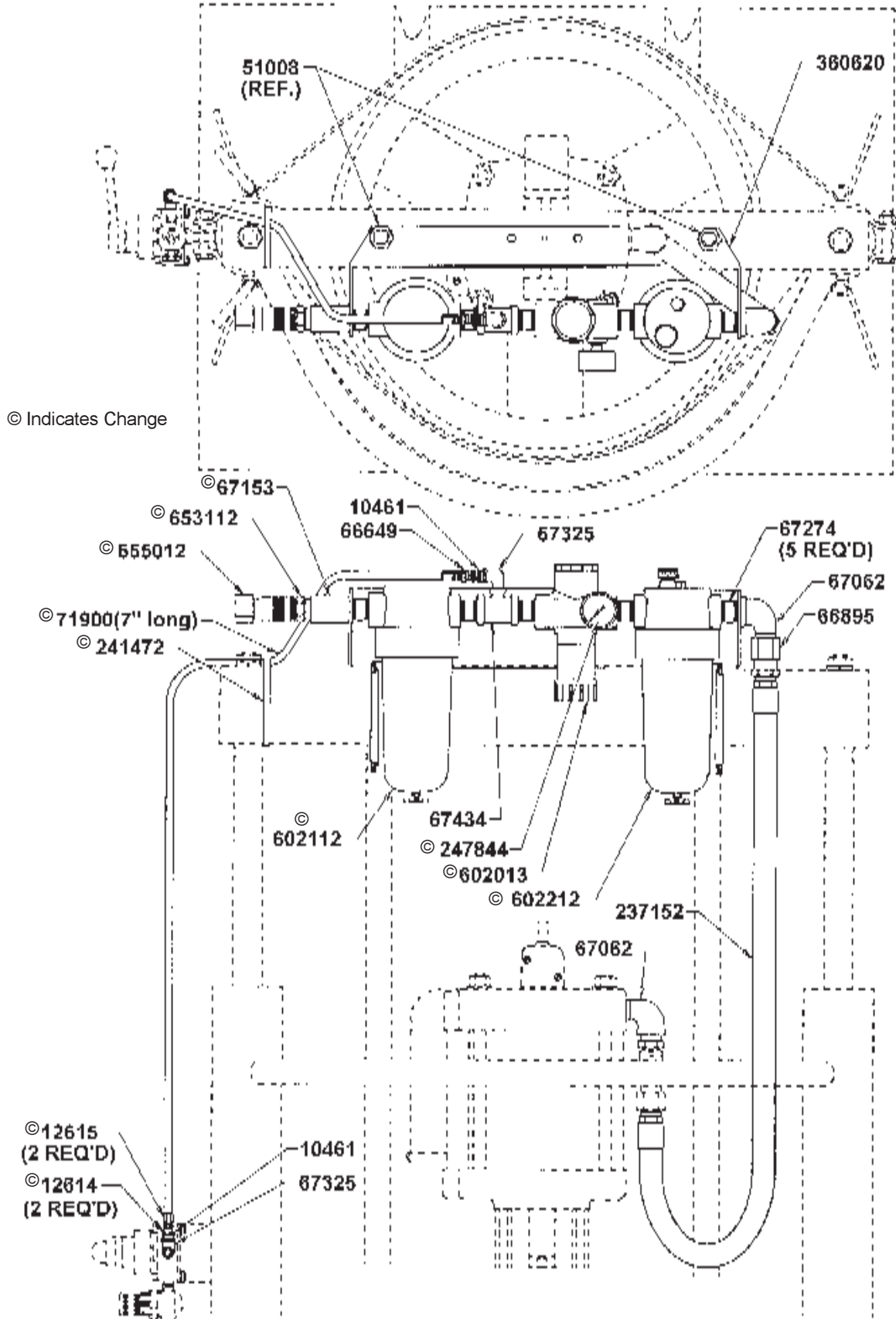
© Indicates Change

*To shorten hose to 18", cut off one end of hose to length and assemble 12614 stud and 12615 nut to cut end of hose.

84141 INSTALLED ON 1735, 1736, OR 1765 PRESSURE PRIMER

Assembly is fastened to the top of the channel of the pressure primer with the 51008 nuts which are part of the pressure primer.

Kit parts not used on this installation:
50055(2), 51001(2), 67007, 12614, 12615



SERVICE PARTS

Part	Qty.	Description
10461	2	Bushing
© 12614	2	Hose Stud
© 12615	2	Coupling Nut
50055	2	Screw
51001	2	Nut
66649	1	Adapter Union
66895	1	Adapter Union
67007	1	Pipe Plug
67062	2	Street Elbow
© 67153	1	Coupling
67274	5	Nipple
67325	2	Street Elbow
67434	1	Tee
© 71900	1	Air Hose (7" long)
237152	1	Air Hose
© 241472	1	Cable Tie
© 247844	1	Pressure Gauge
360620	1	Bracket
© 602013	1	Air Regulator
© 602112	1	Air Filter
© 602212	1	Air Lubricator
© 653112	1	Air Nipple
© 655012	1	Air Coupler

© Indicates Change

RETAIN THIS INFORMATION FOR FUTURE REFERENCE

When ordering replacement parts, list: Part Number, Description, Model Number and Series Letter.
LINCOLN provides a Distributor Network that stocks equipment and replacement parts.