

1. Connect Air Line to Air Motor during pumping operation.
2. Connect Air Line to hoist Air Nipple to raise unit.
3. Disconnect Air Line completely to lower unit.

84141 INSTALLED ON 1716, 1719, 2716 AND 2719 PUMP HOISTS

Assembly is fastened to the adapter on the support tube assembly with the two 50055 bolts and 51001 nuts.

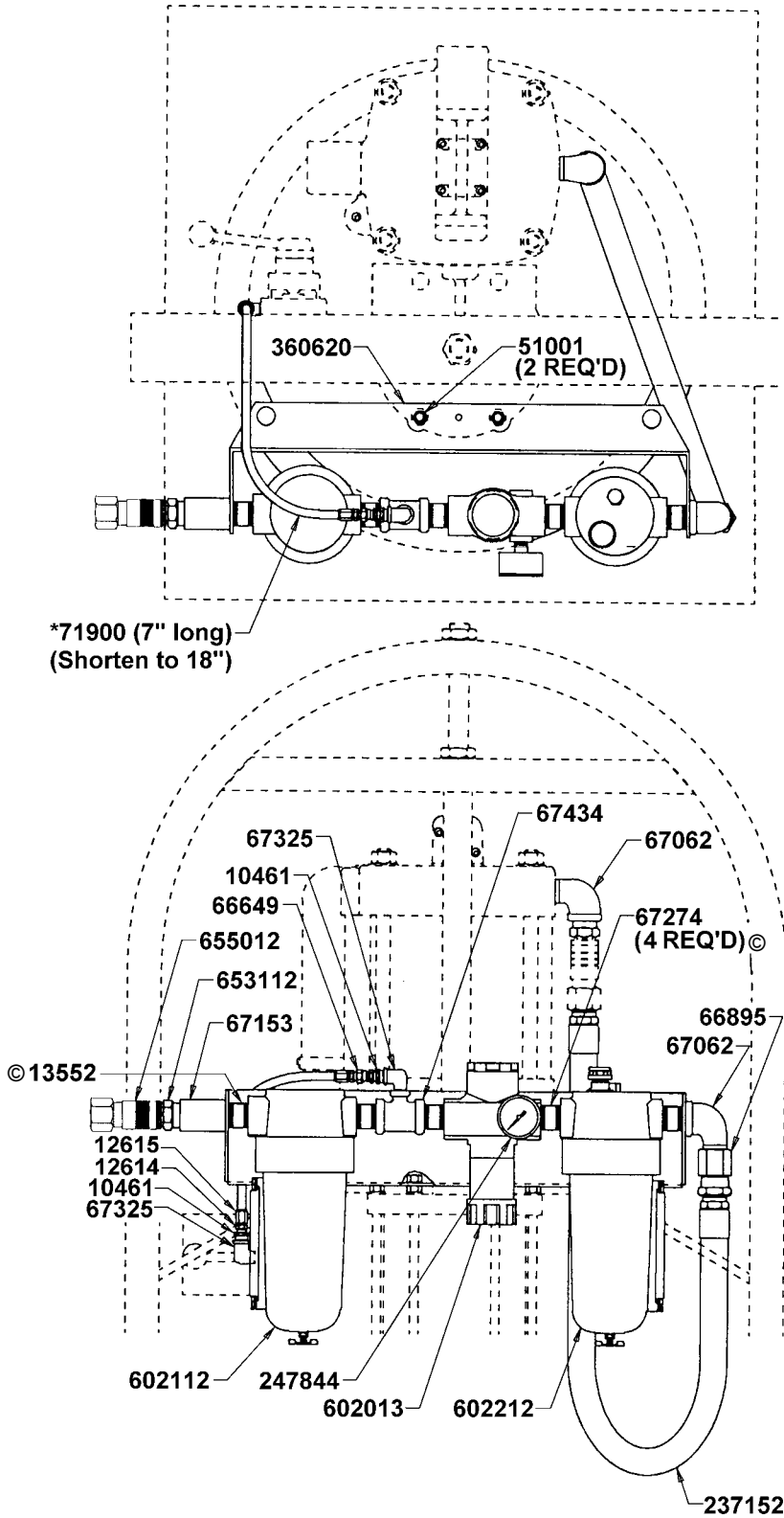
Kit parts not used on this installation:
10461(2), 66649, 67325(2),
237176, 241472, 12614, 12615

© Indicates Change

84141 INSTALLED ON 1704 AND 83274 PRESSURE PRIMER

Assembly is fastened to the two tie rod ends of the pressure primer air cylinder with two 51001 nuts.

Kit parts not used on this installation:
50055(2), 67007, 241472



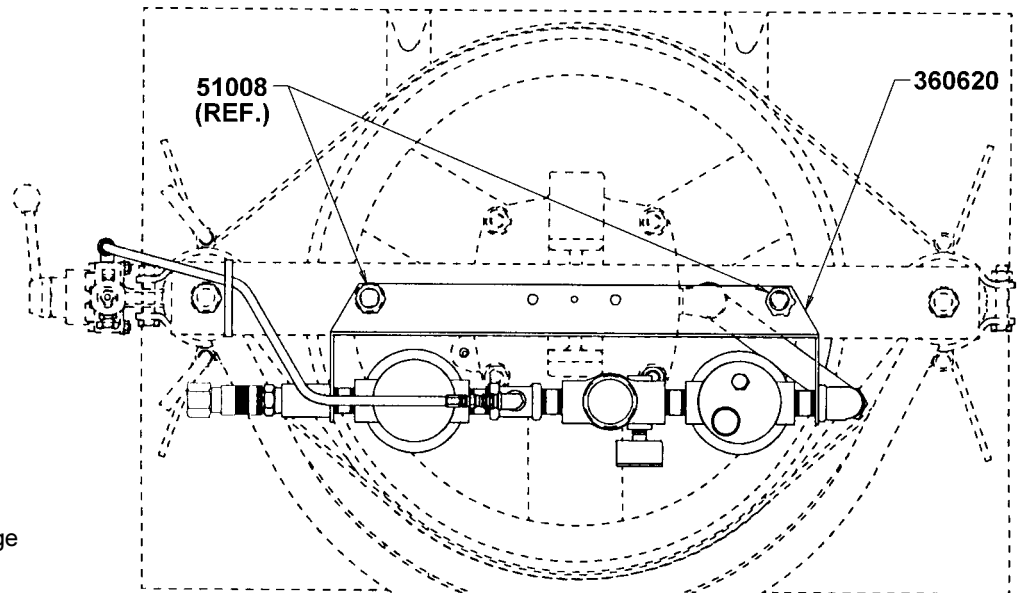
© Indicates Change

*To shorten hose to 18", cut off one end of hose to length and assemble 12614 stud and 12615 nut to cut end of hose.

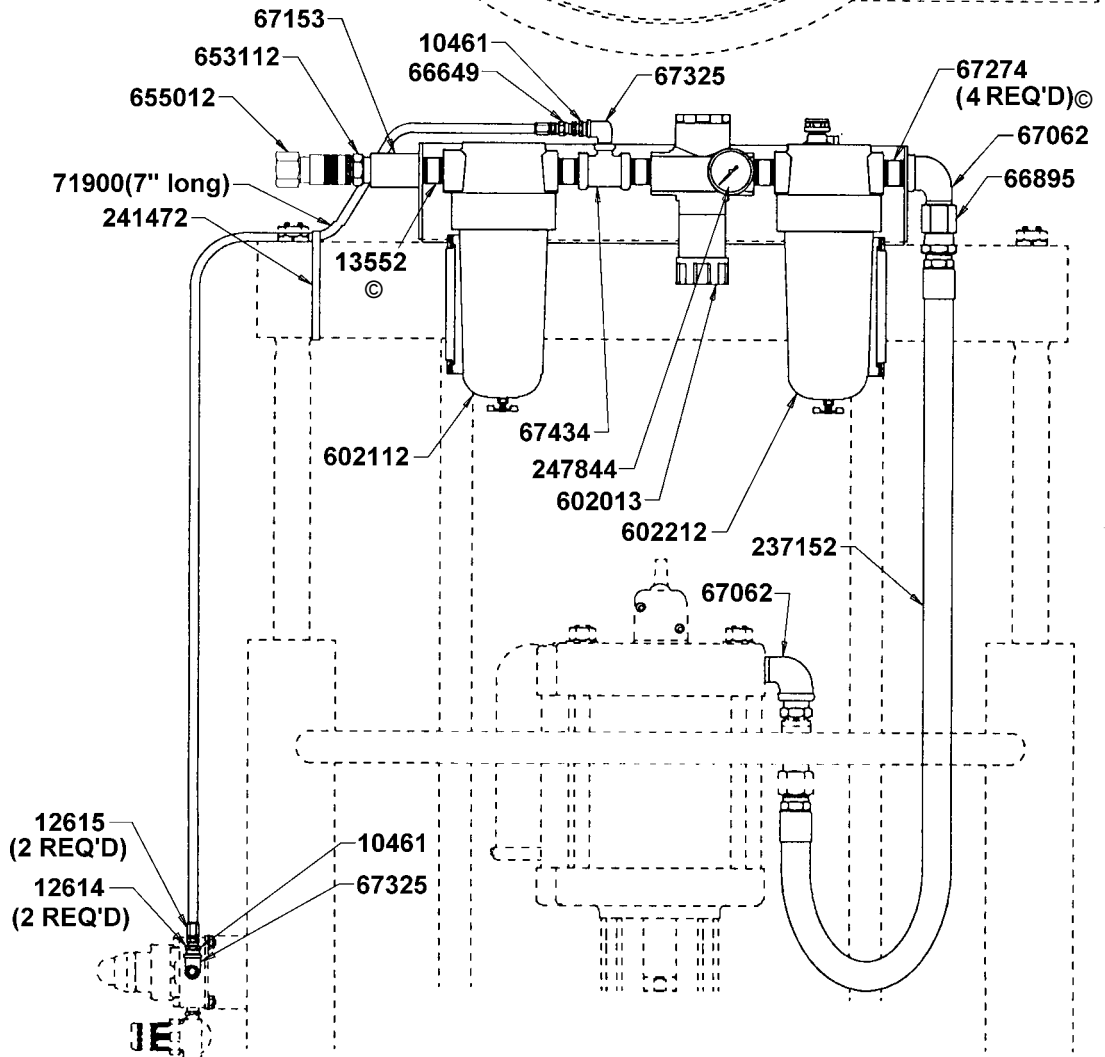
84141 INSTALLED ON 1735, 1736, OR 1765 PRESSURE PRIMER

Assembly is fastened to the top of the channel of the pressure primer with the 51008 nuts which are part of the pressure primer.

Kit parts not used on this installation:
50055(2), 51001(2), 67007, 12614, 12615



© Indicates Change



Service Parts

Part	Qty.	Description
10461	2	Bushing
12614	2	Hose Stud
12615	2	Coupling Nut
© 13552	1	Nipple
50055	2	Screw
51001	2	Nut
66649	1	Adapter Union
66895	1	Adapter Union
67007	1	Pipe Plug
67062	2	Street Elbow
67153	1	Coupling
© 67274	4	Nipple
67325	2	Street Elbow
67434	1	Tee
71900	1	Air Hose (7" long)
237152	1	Air Hose
241472	1	Cable Tie
247844	1	Pressure Gauge
360620	1	Bracket
602013	1	Air Regulator
602112	1	Air Filter
602212	1	Air Lubricator
653112	1	Air Nipple
655012	1	Air Couple

© Indicates Change

RETAIN THIS INFORMATION FOR FUTURE REFERENCE

When ordering replacement parts, list: Part Number, Description, Model Number and Series Letter.
LINCOLN provides a Distributor Network that stocks equipment and replacement parts.