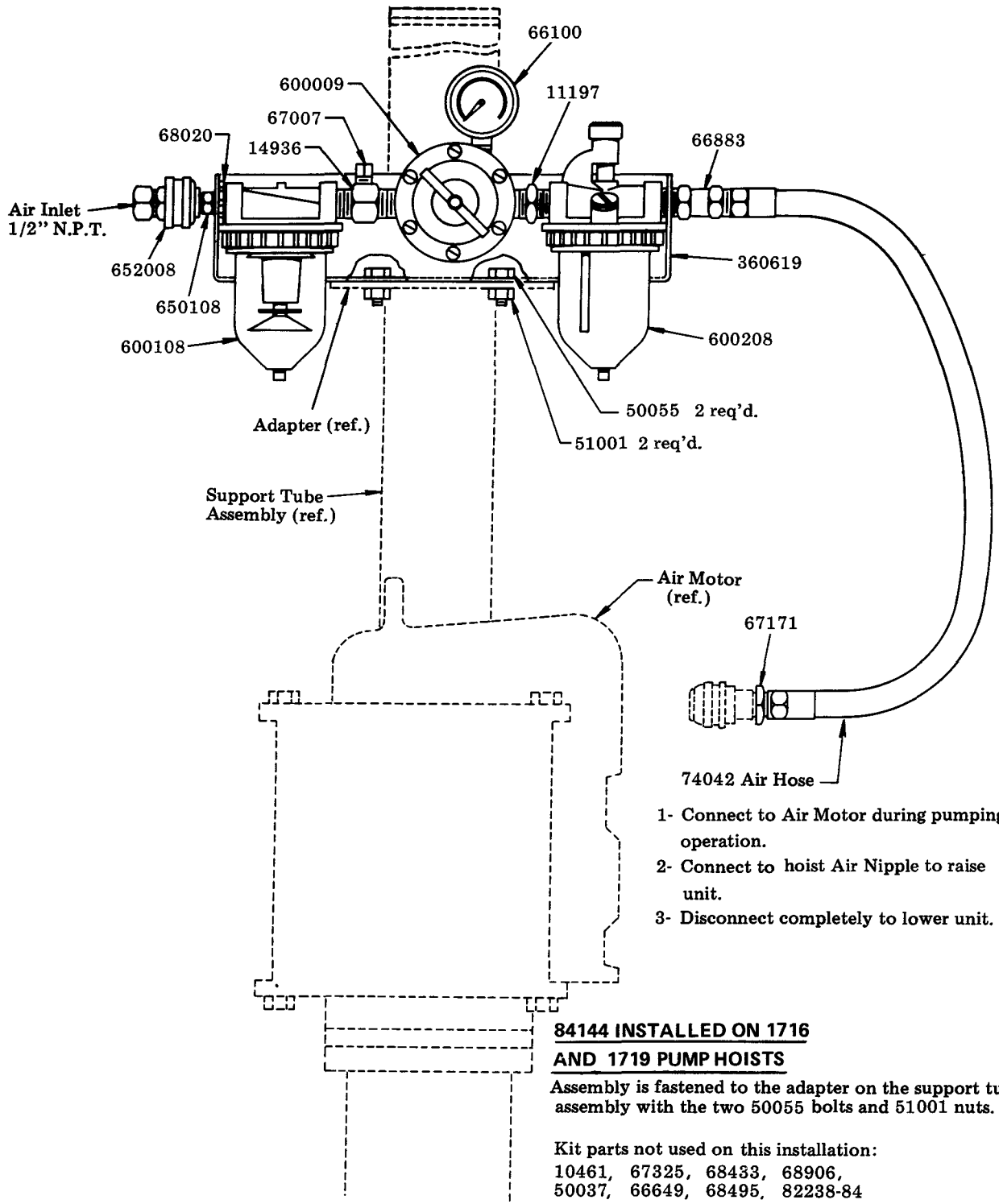


1/2" AIR LINE ACCESSORY KIT



Model 84144

USED ON 1716, 1719, PUMP HOISTS AND 1735, 1736, 1737, 1704, 83274 PRESSURE PRIMERS



- 1- Connect to Air Motor during pumping operation.
- 2- Connect to hoist Air Nipple to raise unit.
- 3- Disconnect completely to lower unit.

LINCOLN ST. LOUIS
4010 GOODFELLOW BLVD • ST. LOUIS, MO 63120 • (314) 383-5900



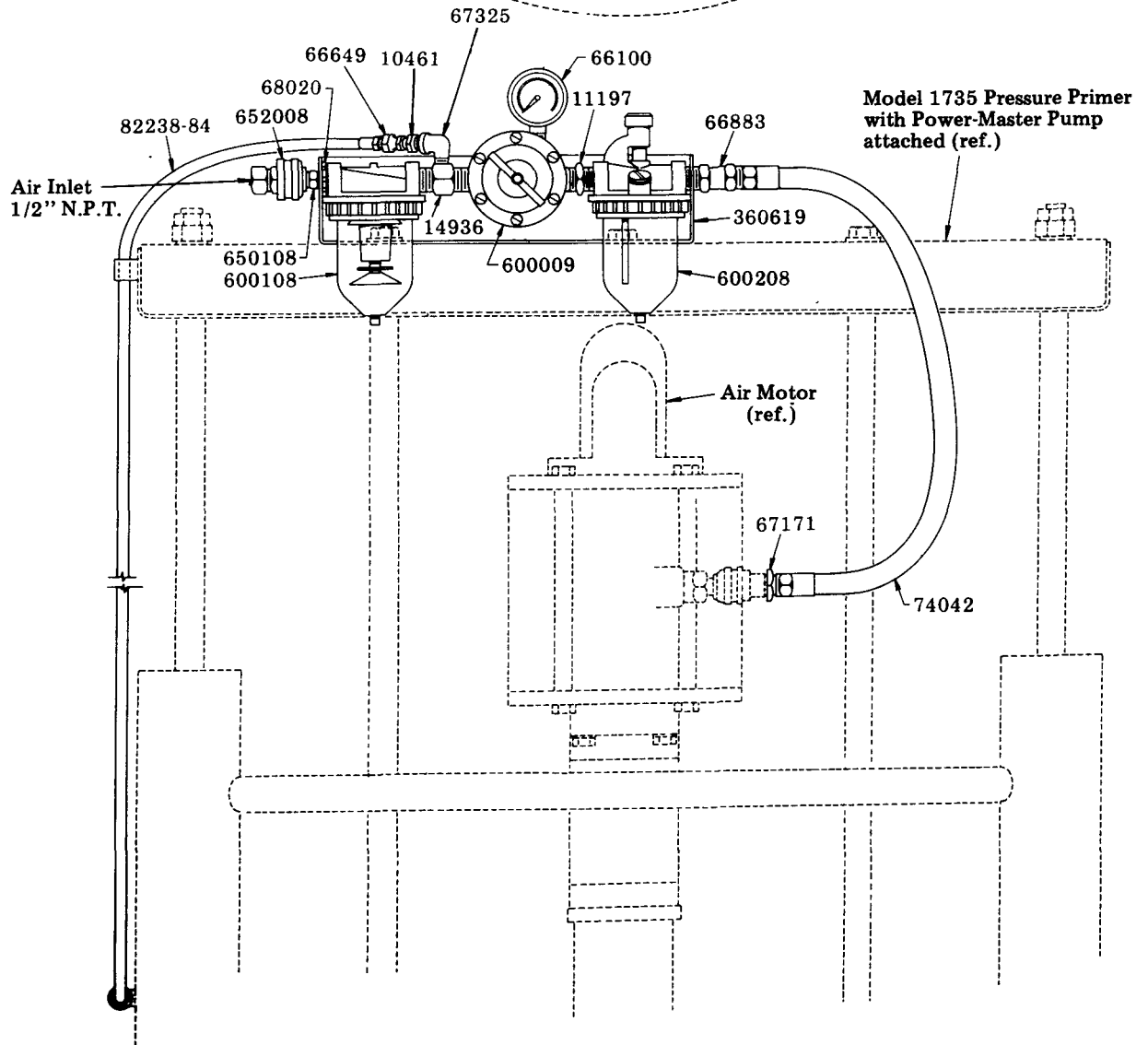
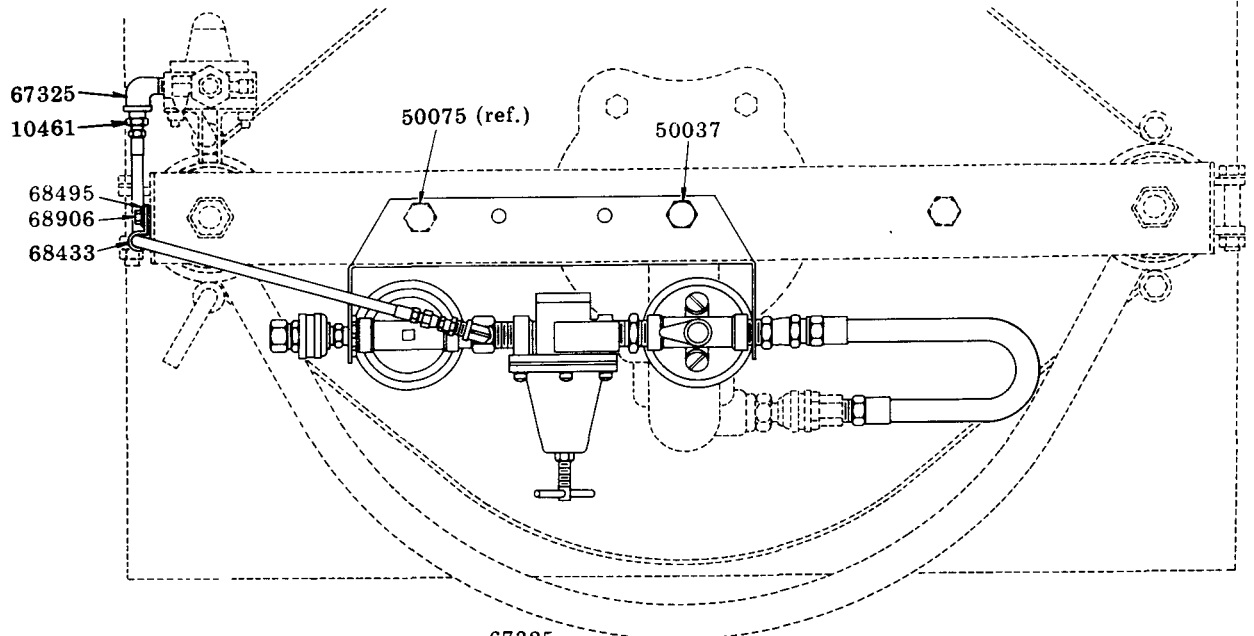
A DIVISION OF
McNEIL
CORPORATION

SECTION- **K4**
PAGE- **6**

84144 INSTALLED ON 1735, 1736 OR 1737 PRESSURE PRIMER

Assembly is fastened to the top channel of the pressure primer with the 50037 screw and one 50075 screw which is part of the Pressure Primer.

Kit parts not used on this installation:
50055 51001 67007

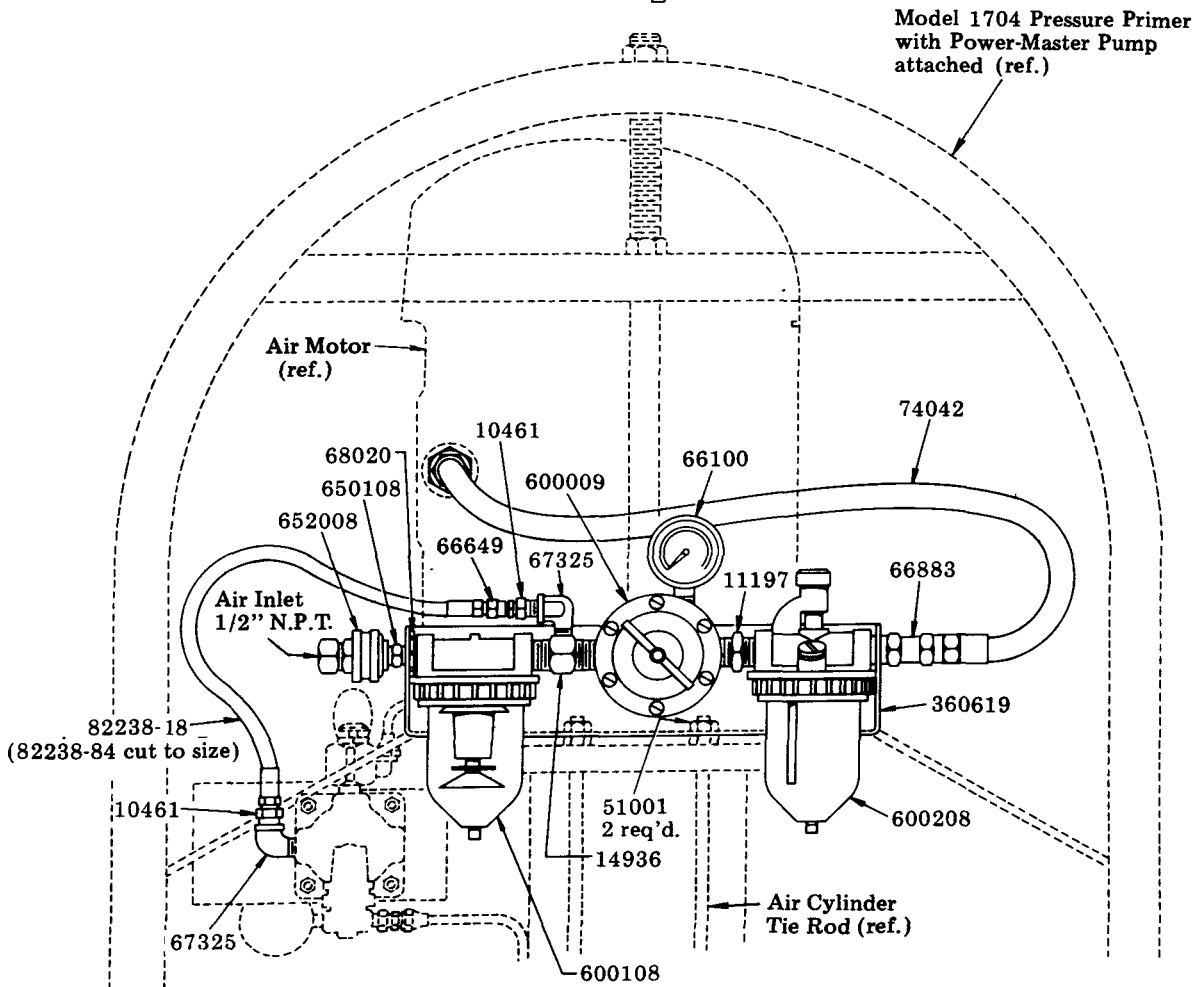
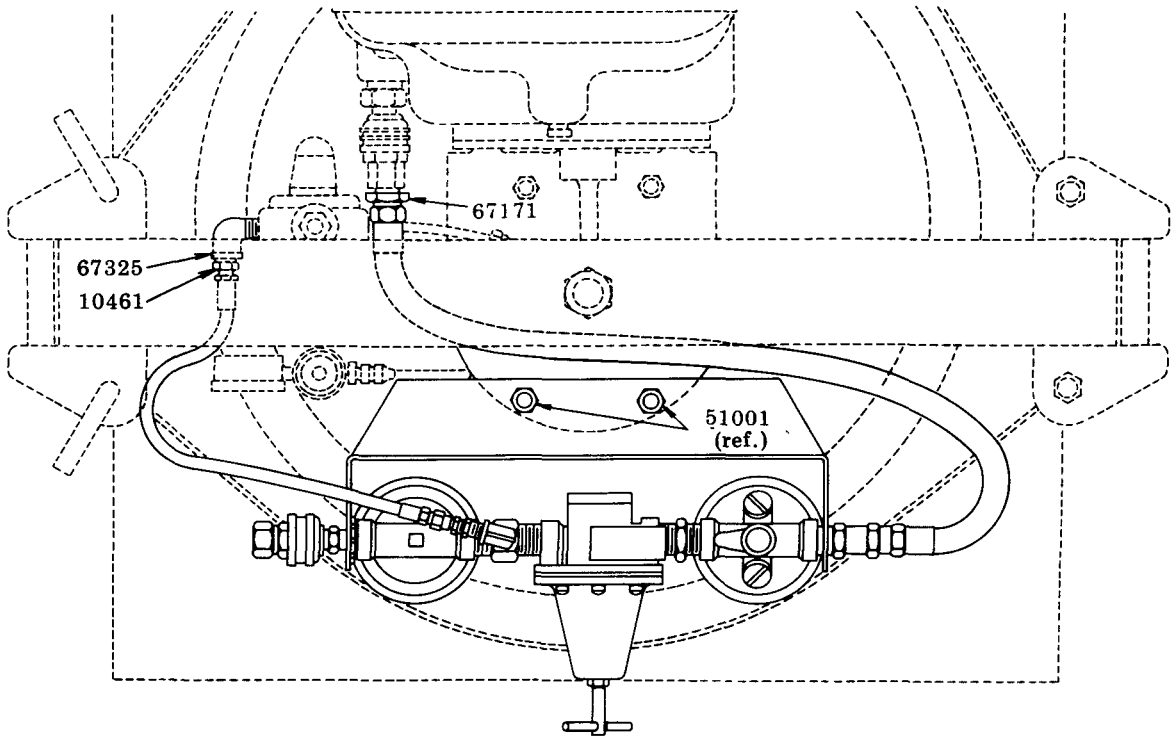


84144 INSTALLED ON 1704 AND 83274 PRESSURE PRIMER

Assembly is fastened to the two tie rod ends of the pressure primer air cylinder with two 51001 nuts.

Kit parts not used on this installation:

50037 50055 67007 68433 68495 68906



SERVICE PARTS

PART NO.	QUAN.	DESCRIPTION
10461	2	Bushing
11197	1	Nipple
14936	1	Tee
50037	1	Screw
50055	2	Bolt
51001	2	Nut
66100	1	Pressure Gauge
66649	1	Adapter Union
66883	1	Adapter Union
67007	1	1/4" Pipe Plug
67171	1	Bushing
67325	2	1/4" Street Elbow
68020	1	Locknut
68433	1	Tube Clamp
68495	1	Lockwasher
68906	1	Self-Tapping Screw
74042	1	Air Hose
82238-84	1	Air Hose
360619	1	Bracket
600009	1	Regulator
600108	1	Air Filter
600208	1	Air Lubricator
650108	1	Plug
652008	1	Socket Assembly

RETAIN THIS INFORMATION FOR FUTURE REFERENCE

When ordering replacement parts, list: Part Number, Description, Model Number, and Series Letter.
LINCOLN ST. LOUIS provides a Distributor Network that stocks equipment and replacement parts.
A list of Authorized Service Departments will be furnished upon request.