

1. Connect Air Line to Air Motor during pumping operation.
2. Connect Air Line to hoist Air Nipple to raise unit.
3. Disconnect Air Line completely to lower unit.

84144 INSTALLED ON 1716, 1719, 2716 AND 2719 PUMP HOISTS

Assembly is fastened to the adapter on the support tube assembly with the two 50055 bolts and 51001 nuts.

Kit parts not used on this installation:
10461(2), 12614, 12615, 50037, 66649,
67325(2), 237176, 241472

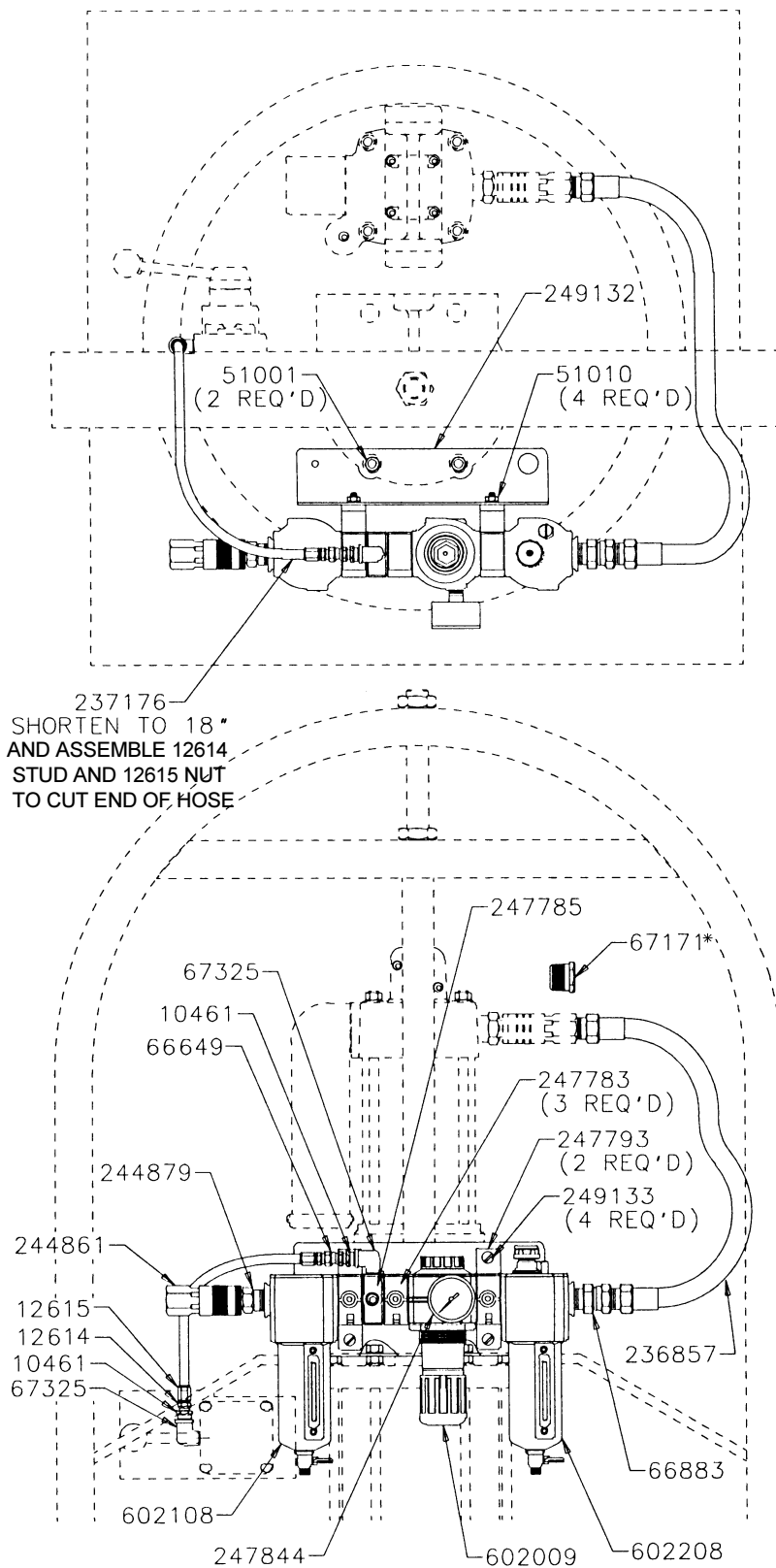
*Used to adapt 1/2" NPTF(M) on hose to 3/4" NPTF(F) thread, if required.

84144 INSTALLED ON 1704 AND 83274 PRESSURE PRIMER

Assembly is fastened to the two tie rod ends of the pressure primer air cylinder with two 51001 nuts.

Kit parts not used on this installation:

50037, 50055(2), 67007, 241472

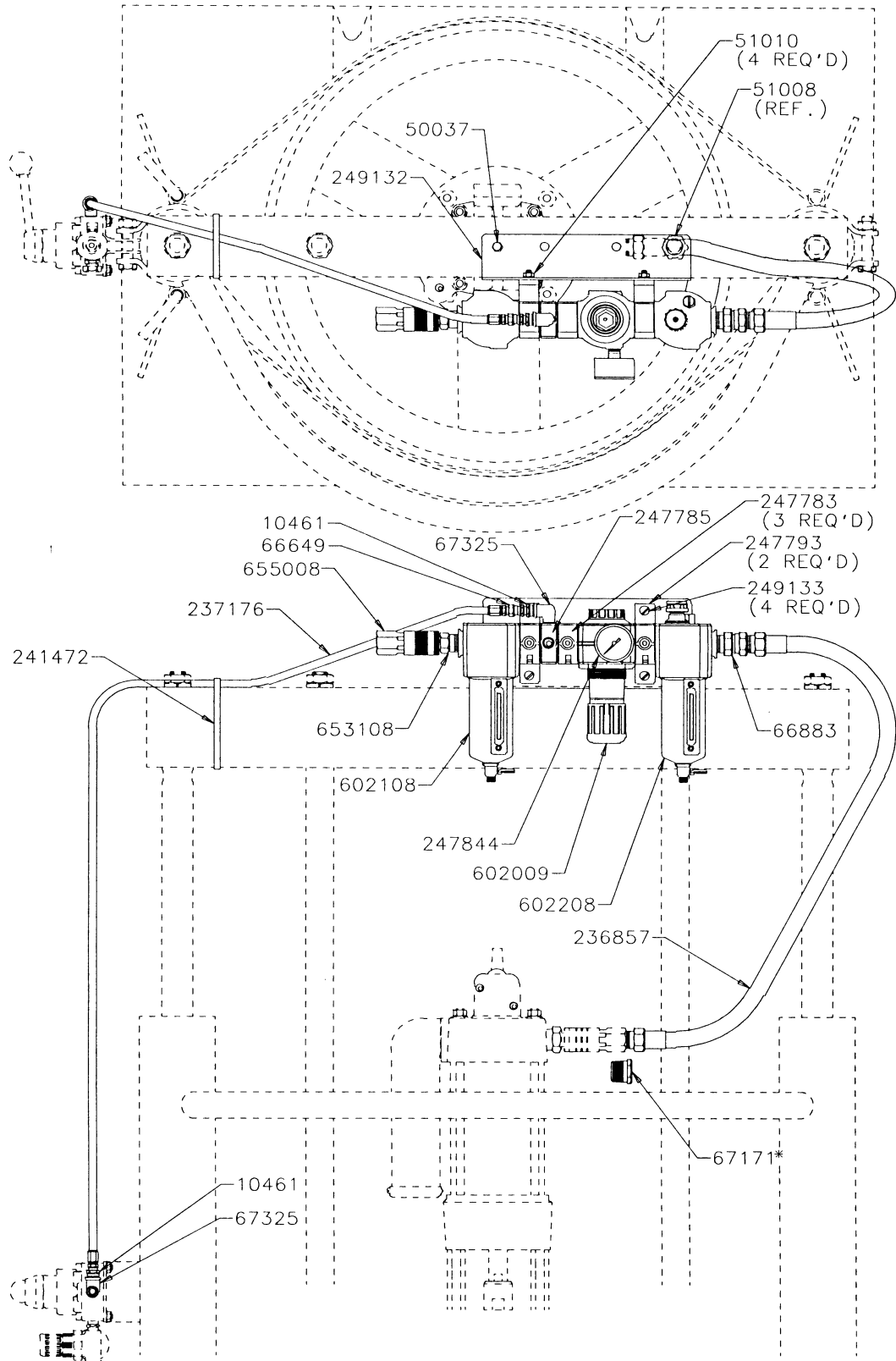


*Used to adapt 1/2" NPTF(M) on hose to 3/4" NPTF(F) thread, if required.

84144 INSTALLED ON 1735, 1736, OR 1765 PRESSURE PRIMER

Assembly is fastened to the top of the channel of the pressure primer with the 50037 screw and one 51008 nut which is part of the pressure primer.

Kit parts not used on this installation:
50055(2), 51001(2), 67007, 12614, 12615



*Used to adapt 1/2" NPTF(M) on hose to 3/4" NPTF(F) thread, if required.

SERVICE PARTS

Part	Qty.	Description
10461	2	Bushing
12614	1	Hose Stud
12615	1	Coupling Nut
50037	1	Screw
50055	1	Screw
51001	2	Nut
51010	4	Nut
66649	1	Adapter Union
66883	1	Adapter Union
67007	1	Pipe Plug
67171	1	Bushing
67325	2	Street Elbow
236857	1	Air Hose
237176	1	Air Hose
247783	3	Quick Clamp
247785	1	Porting Block
247793	2	Quick Clamp Bracket
247844	1	Pressure Gauge
249132	1	Mounting Bracket
249133	4	Screw
602009	1	Air Regulator
602108	1	Air Filter
602208	1	Air Lubricator
653108	1	Air Nipple
655008	1	Air Coupler

RETAIN THIS INFORMATION FOR FUTURE REFERENCE

When ordering replacement parts, list: Part Number, Description, Model Number and Series Letter.
LINCOLN provides a Distributor Network that stocks equipment and replacement parts.