

# LAP-FIT GLAND KIT

FOR POWER MASTER PUMP TUBE

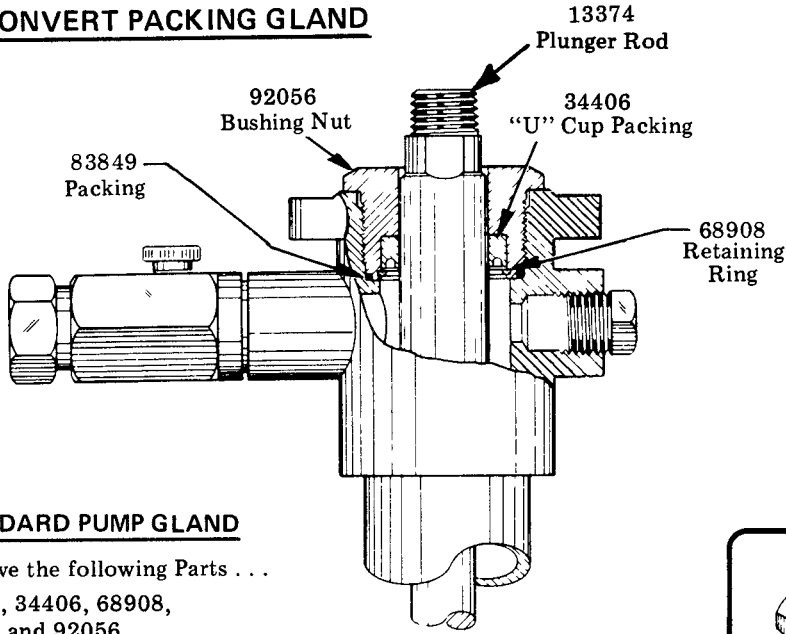


# Model 82921

Model 82921 Will fit the following  
Power-Master Pump Tubes; 82791 and 82840

The Lap-Fit Gland Kit should be used  
when dispensing abrasive materials.

## TO CONVERT PACKING GLAND

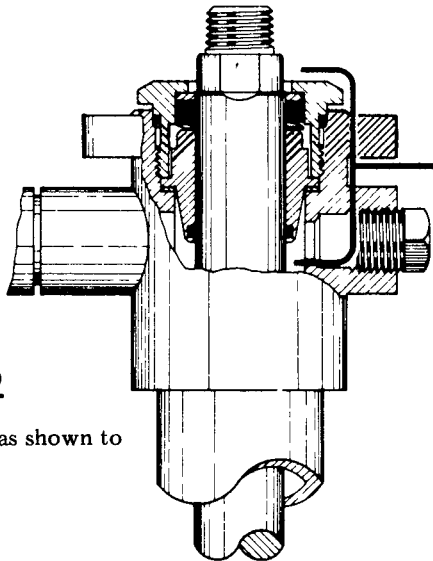


## STANDARD PUMP GLAND

Remove the following Parts . . .  
13374, 34406, 68908,  
83849 and 92056

## 82921 LAP-FIT GLAND

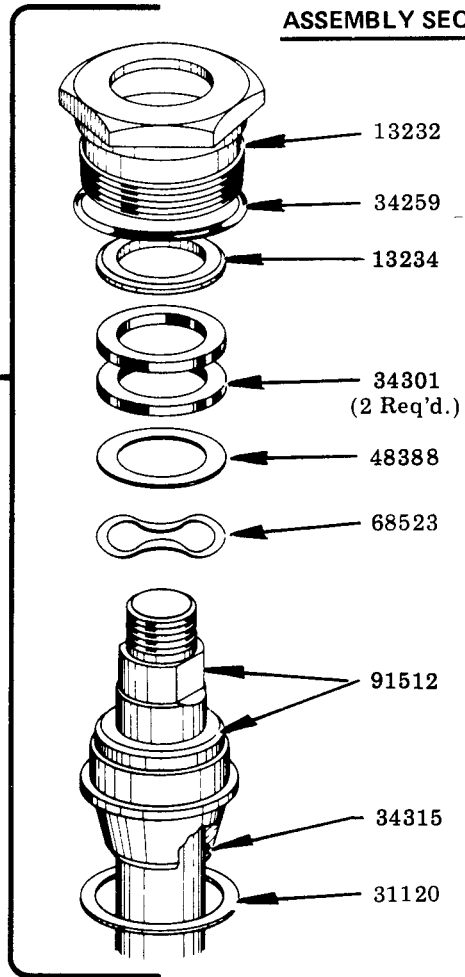
Parts must be assembled as shown to  
assure proper operation.



## MODEL 82921

PART NO.	DESCRIPTION
13232	Gland Packing Nut
13234	Washer
31120	Gasket
34259	"O" Ring
34301	Packing
34315	"O" Ring
48388	Washer
68523	Spring Washer
91512	Lap Fitted Bushing and Plunger

## ASSEMBLY SEQUENCE



**LINCOLN ST. LOUIS**  
4070 GOODFELLOW BLVD • ST LOUIS, MO 63120 • (314) 383 5900



A DIVISION OF  
**McNEIL**  
CORPORATION

SECTION - **K 4**  
PAGE - **8**