

LAP-FIT GLAND KIT

FOR POWER MASTER PUMP TUBE

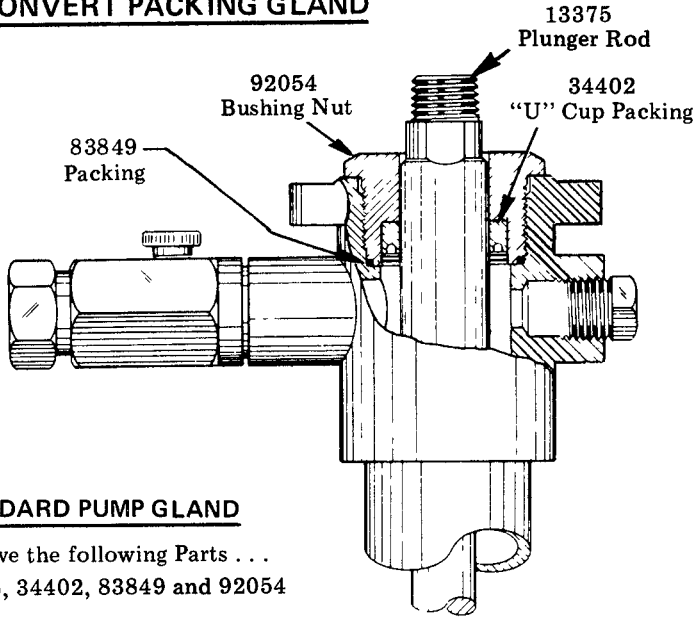


Model 82922

Model 82922 Will fit the following
Power-Master Pump Tubes; 82792 and 82841

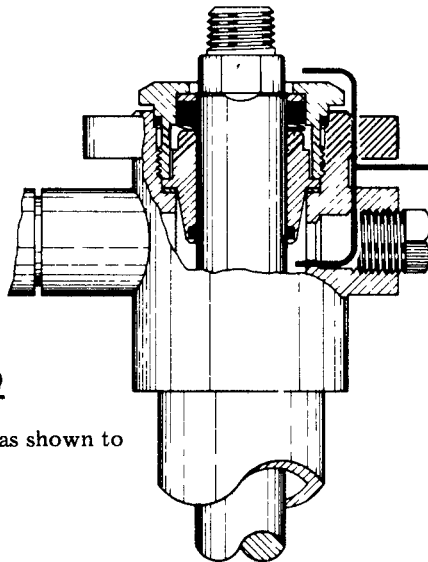
The Lap-Fit Gland Kit should be used
when dispensing abrasive materials.

TO CONVERT PACKING GLAND



STANDARD PUMP GLAND

Remove the following Parts . . .
13375, 34402, 83849 and 92054



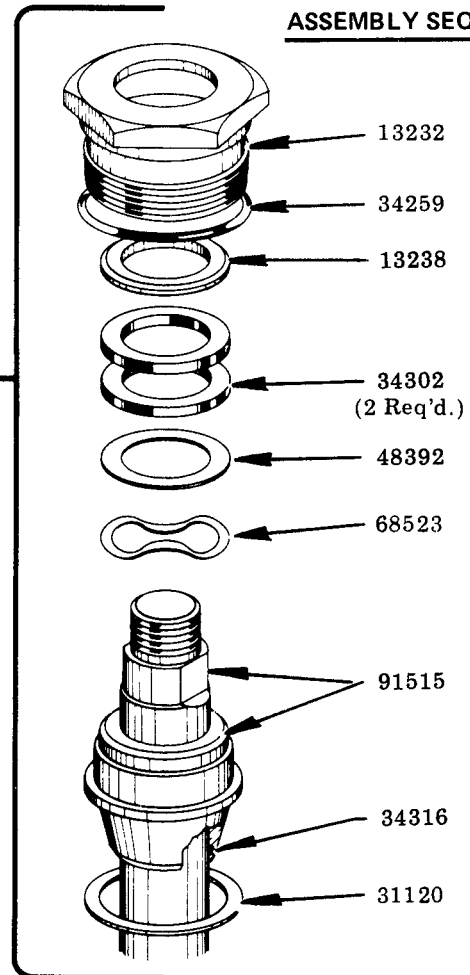
82922 LAP-FIT GLAND

Parts must be assembled as shown to
assure proper operation.

MODEL 82922

PART NO.	DESCRIPTION
13232	Gland Packing Nut
13238	Washer
31120	Gasket
34259	"O" Ring
34302	Packing
34316	"O" Ring
48392	Washer
68523	Spring Washer
91515	Lap Fitted Bushing and Plunger

ASSEMBLY SEQUENCE



LINCOLN ST. LOUIS
4010 GOODFELLOW BLVD · ST LOUIS MO 63120 · (314) 383 5900



A DIVISION OF
McNEIL
CORPORATION

SECTION - **K 4**
PAGE - **9**