

SUCTION KIT & WALL BRACKET KITS

Models 84148, 84164 84165

MODEL
83813

MODEL
82398

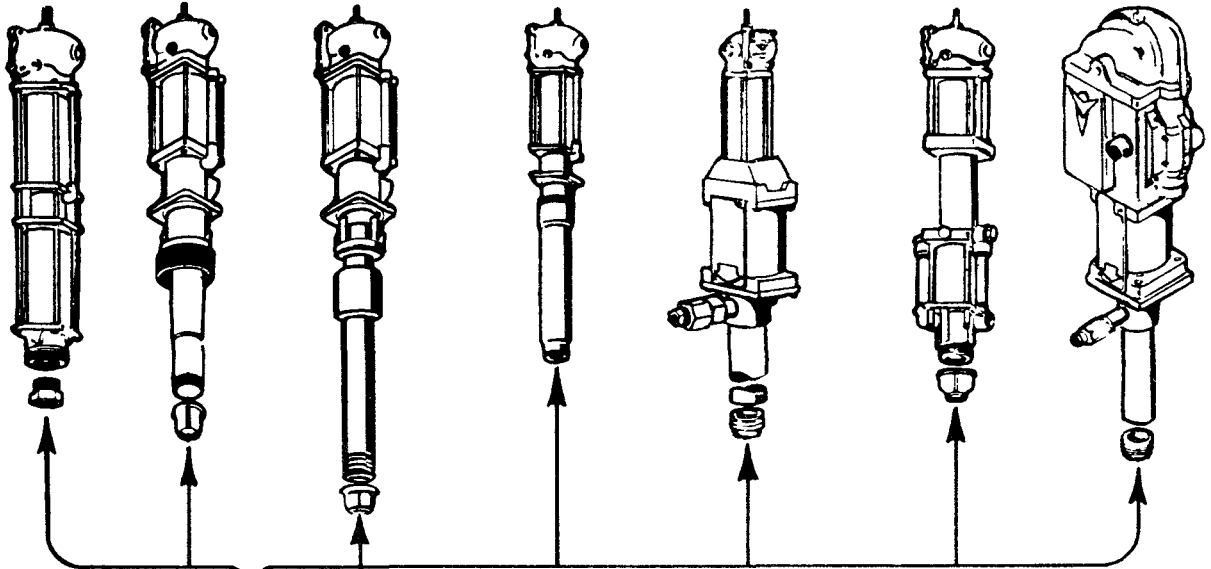
MODEL
83776

MODEL
84145-9

MODEL
1940

MODELS
485 & 486

MODEL
1951



MODEL 84165 SUCTION KIT IS ASSEMBLED TO BUNG OPENING IN RESERVOIR AND MAY BE ASSEMBLED TO ANY OF THE PUMPS LISTED ABOVE. (REFER TO INSIDE PAGE FOR WALL BRACKET KIT INSTALLATION.)

66998
3/4" N.P.T. MALE X
3/4" N.P.T. FEMALE
3/4" N.P.T.

68620
5 FT. LENGTH
OF HOSE

67442 50702

*40665

61567

37"
REFERENCE

***NOTE:**

40665 Bung Position movable.
For Suction Kit use in res-
ervoirs up to 35" depth.

RESERVOIR

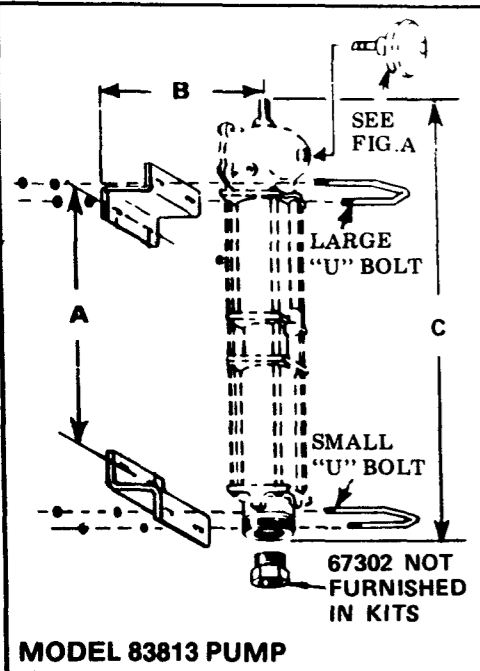
82466

MODEL 84165

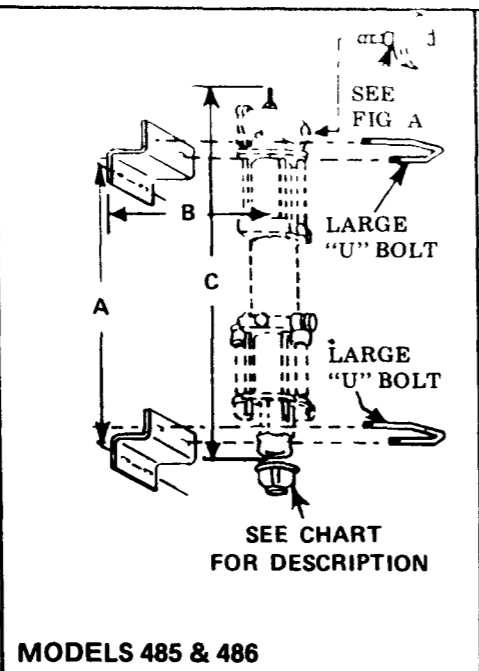
LINCOLN ST. LOUIS
4010 GOODFELLOW BLVD - ST. LOUIS, MO 63170 - (314) 483-9000

A LINCOLN ST. LOUIS
McNEIL
CORPORATION

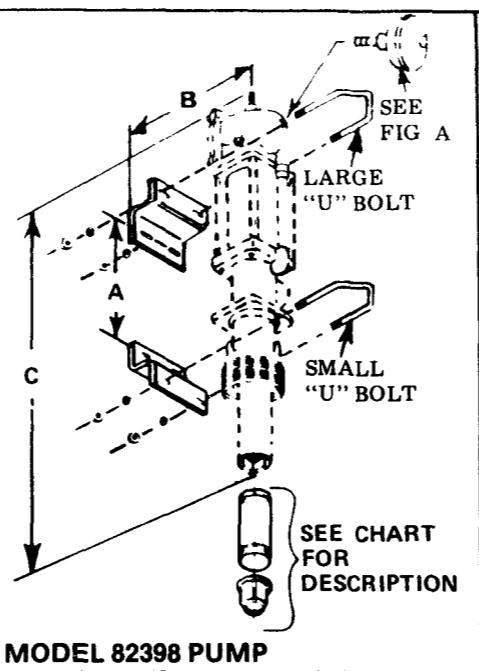
SECTION - **K5**
PAGE - **1A**



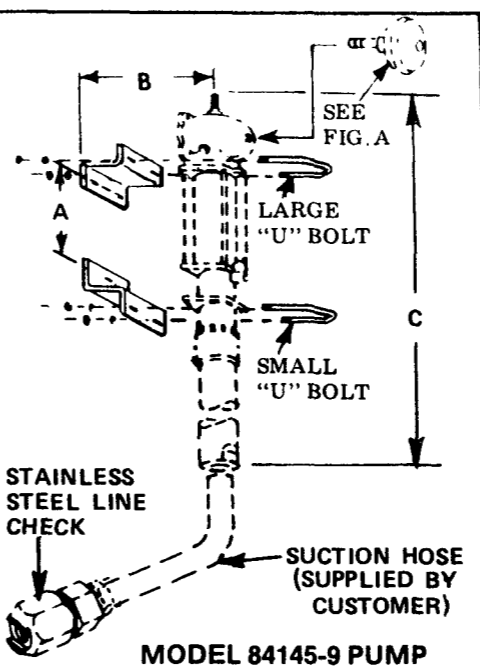
MODEL 83813 PUMP



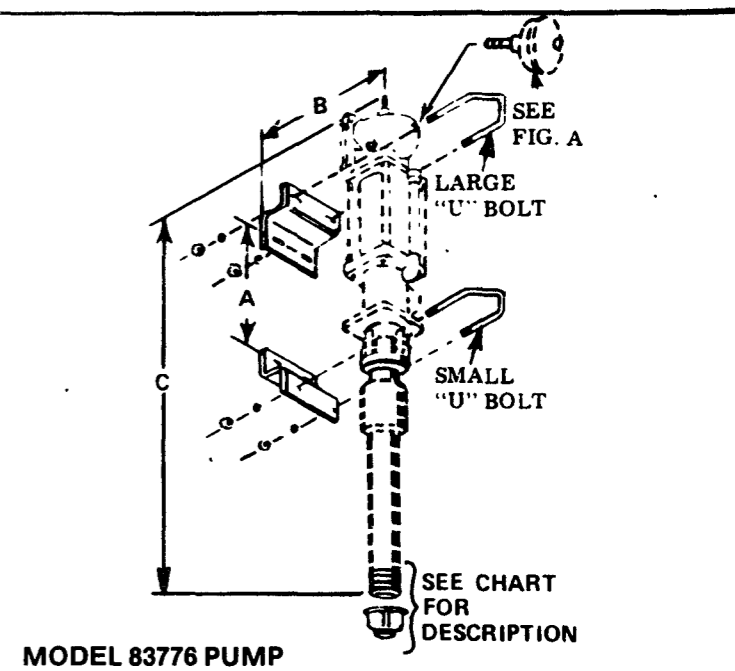
MODELS 485 & 486



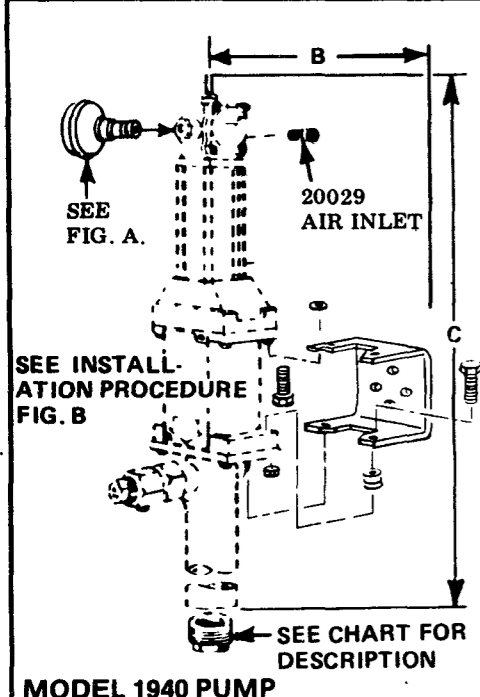
MODEL 82398 PUMP



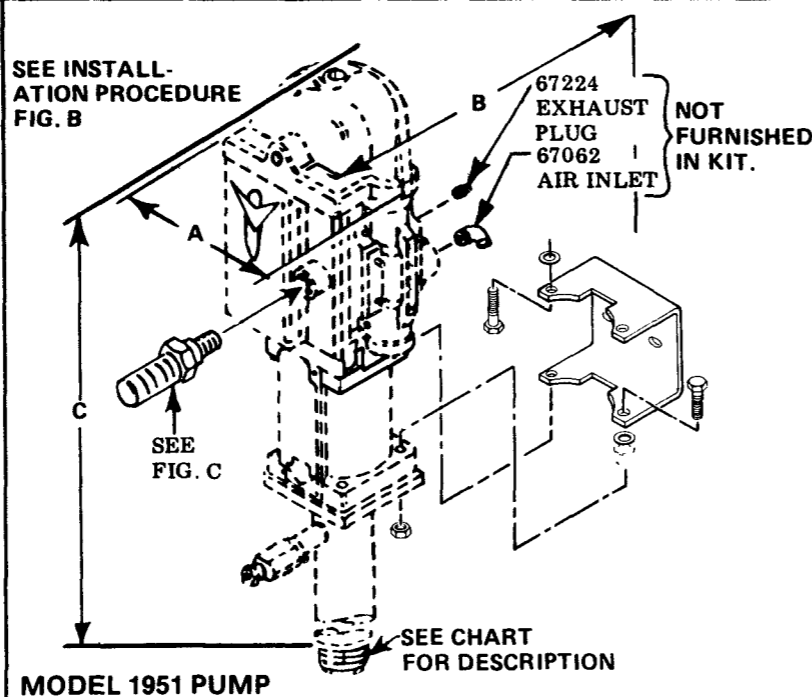
MODEL 84145-9 PUMP



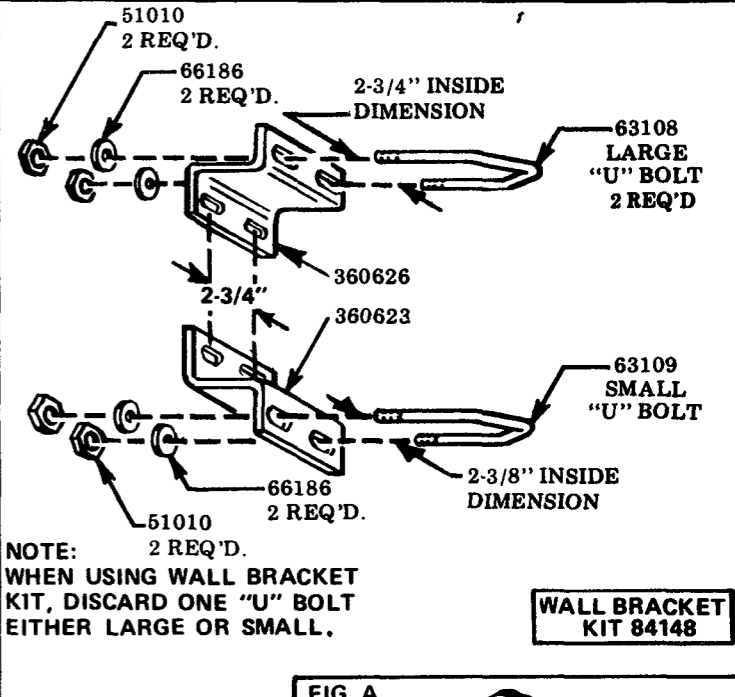
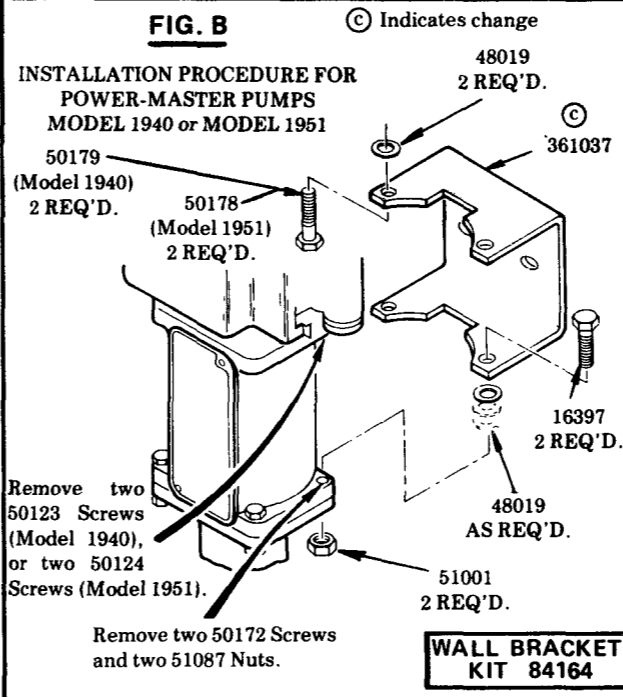
MODEL 83776 PUMP



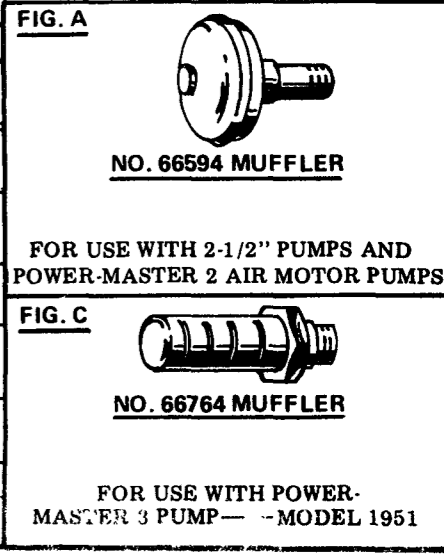
MODEL 1940 PUMP



MODEL 1951 PUMP



SUCTION KIT NO.		BRACKET KIT NO.	PUMP MODEL NO.	DIMENSIONS			PUMP TUBE INLET ADAPTER	DESCRIPTION	AIR MOTOR INLET ADAPTER	DESCRIPTION	AIR MOTOR MUFFLER
				A	B	C					
84165		84148	83813	8-5/8"	4"	16-5/8"	67302	3/4" NPTF (FEMALE) x 1" NPTF (MALE) BUSHING	NONE REQUIRED		66594
84165		84164	1951	11-1/2"	4-3/4"	32-1/8"	REQUIRED	3/4" NPTF (FEMALE) x 2" NPTF (FEMALE) REDUCER	67062	3/4" N.P.T. 90° ELBOW	66764 67224 (PLUG)
84165		84148	485, 486	18"	4"	25-1/4"	REQUIRED	3/4" NPTF (FEMALE) x 2" NPTF (FEMALE) REDUCER	NONE REQUIRED		66594
84165		84148	82398	4-1/8"	4"	21-1/4"	2 REQUIRED	3/4" NPTF (FEMALE) x 2" NPTF (FEMALE) REDUCER 2" NPTF (MALE) x 8" LG. EXTENSION	NONE REQUIRED		66594
84165		84164	1940	6-1/2"	4-3/4"	33-3/4"	REQUIRED	3/4" NPTF (FEMALE) x 2" NPTF (FEMALE) REDUCER	20029	1/8" N.P.T. FEMALE X 1/8" N.P.T. MALE, 90° ELBOW	66594
84165		84148	84145-9	4-1/32"	4"	31-1/16"	NONE REQUIRED		NONE REQUIRED		66594
84165		84148	83776	11"	4"	26-5/16"	2 REQUIRED	14696-S Foot Valve Body and 3/4" NPTF Female x 2" NPTF Female Reducer	NONE REQUIRED		66594



SERVICE PARTS

84148 WALL MOUNT KIT—2-1/2" PUMPS

QUAN. REQ'D.	PART NO.	DESCRIPTION
4	51010	Nut
2	63108	U-Clamp
1	63109	U-Clamp
4	66186	Lockwasher
1	360623	Bracket
1	360626	Bracket

84164 WALL MOUNT KIT—POWER-MASTER PUMPS

QUAN. REQ'D.	PART NO.	DESCRIPTION
2	16397	Screw
10	48019	Washer
2	50178	Screw
2	50179	Screw
2	51001	Nut
1	361037	Support Bracket

84165 SUCTION KIT

QUAN. REQ'D.	PART NO.	DESCRIPTION
1	40665	Bung Bushing
1	50702	Thumb Screw
1	61567	Suction Tube
1	66998	Adapter Union
1	67442	90° Reducing Elbow
1	68620	Hose & Coupling Assembly
1	82466	Low Level Cut-Off

RETAIN THIS INFORMATION FOR FUTURE REFERENCE

When ordering replacement parts, list: Part Number, Description, Model Number, and Series Letter.

LINCOLN ST. LOUIS provides a Distributor Network that stocks equipment and replacement parts.
A list of Authorized Service Departments will be furnished upon request