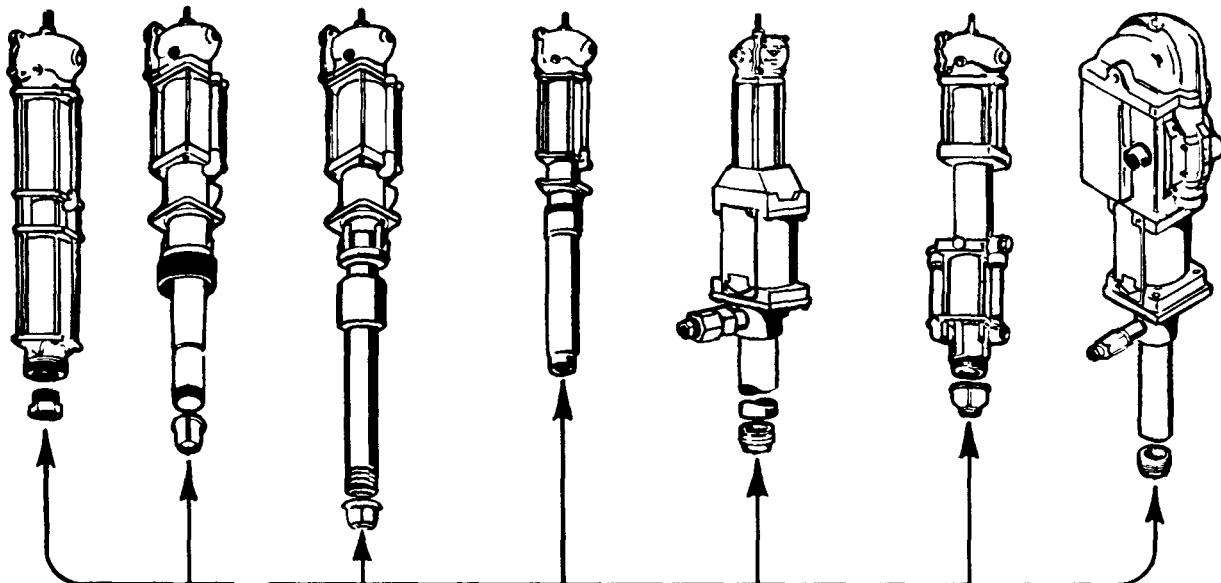


MODEL 83813 MODEL 82398 MODEL 83776 MODEL 84145-9 MODEL 1940 MODELS 485 & 486 MODEL 1951



MODEL 84165 SUCTION KIT IS ASSEMBLED TO BUNG OPENING IN RESERVOIR AND MAY BE ASSEMBLED TO ANY OF THE PUMPS LISTED ABOVE. (REFER TO INSIDE PAGE FOR WALL BRACKET KIT INSTALLATION.)

66998
3/4" N.P.T. MALE X
3/4" N.P.T. FEMALE

3/4" N.P.T.

68620
5 FT. LENGTH
OF HOSE

67442

50702

*40665

61567

37"
REFERENCE

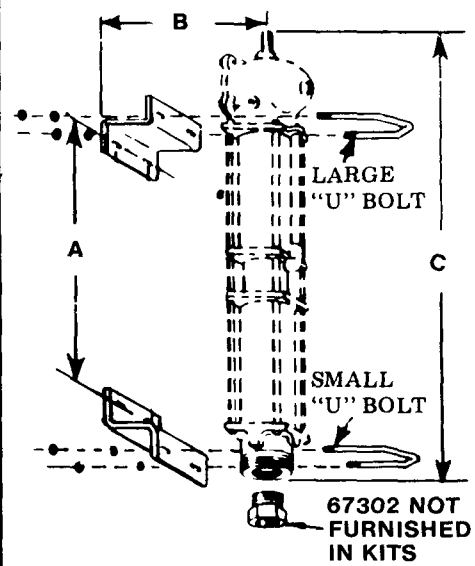
***NOTE:**

40665 Bung Position movable.
For Suction Kit use in res-
ervoirs up to 35" depth.

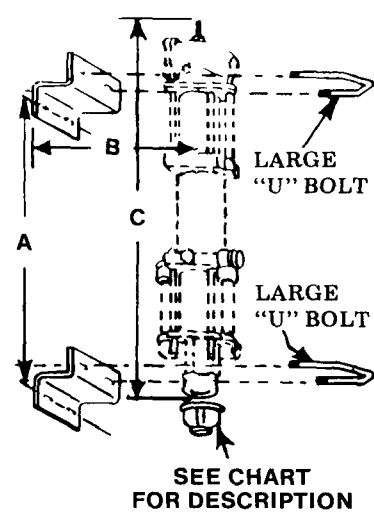
RESERVOIR

82466

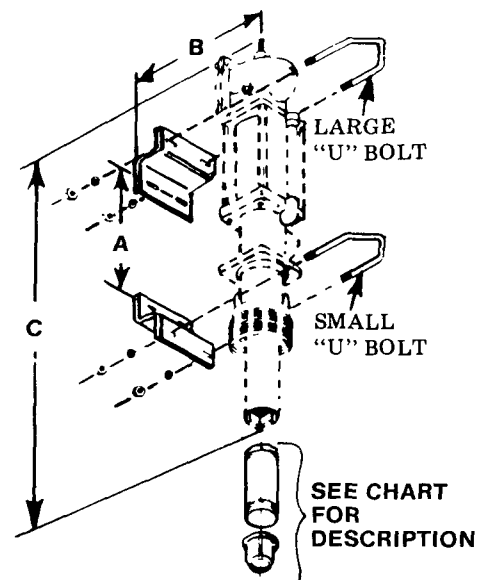
MODEL 84165



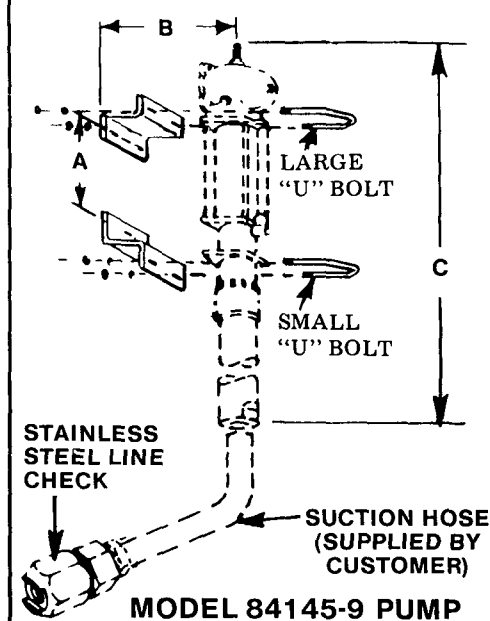
MODEL 83813 PUMP



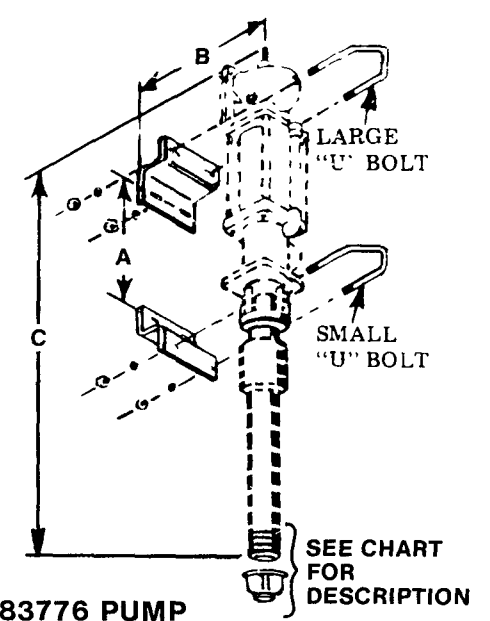
MODELS 485 & 486



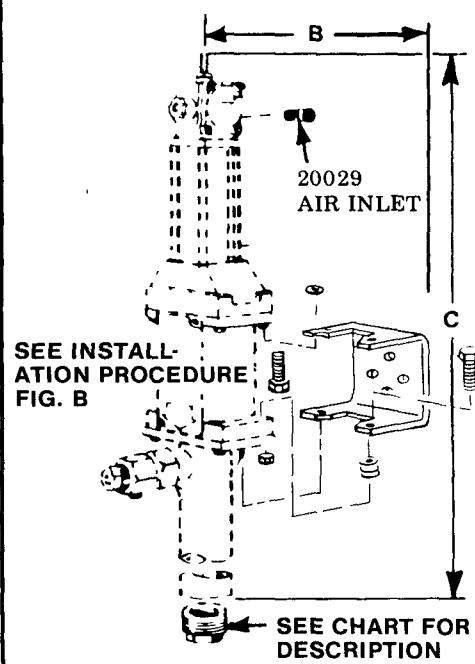
MODEL 82398 PUMP



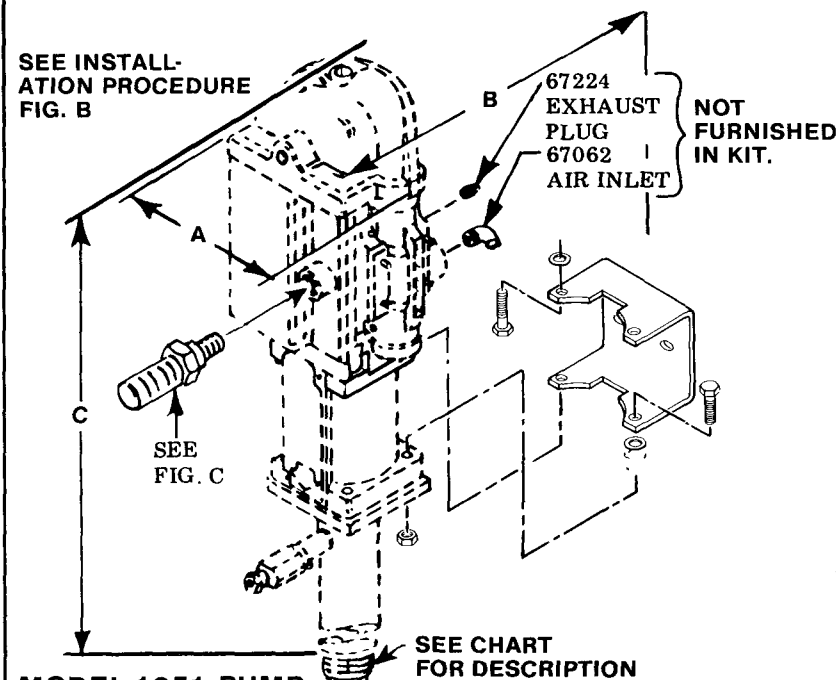
MODEL 84145-9 PUMP



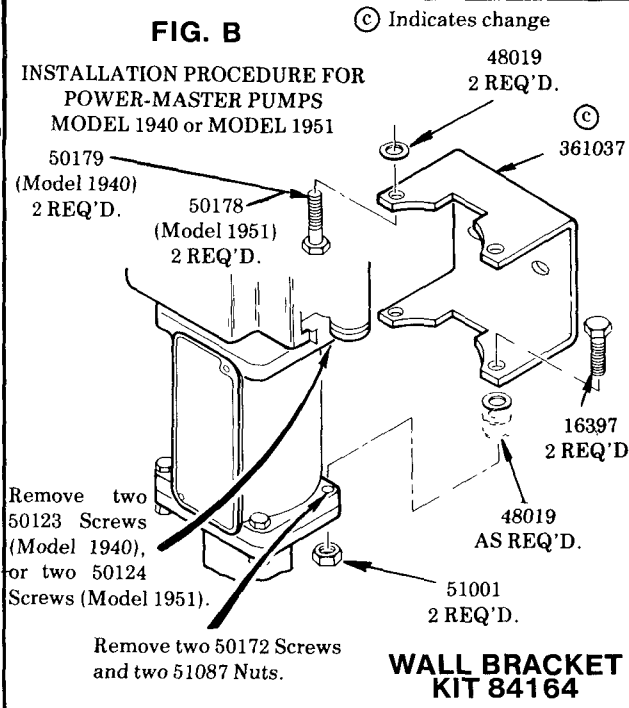
MODEL 83776 PUMP



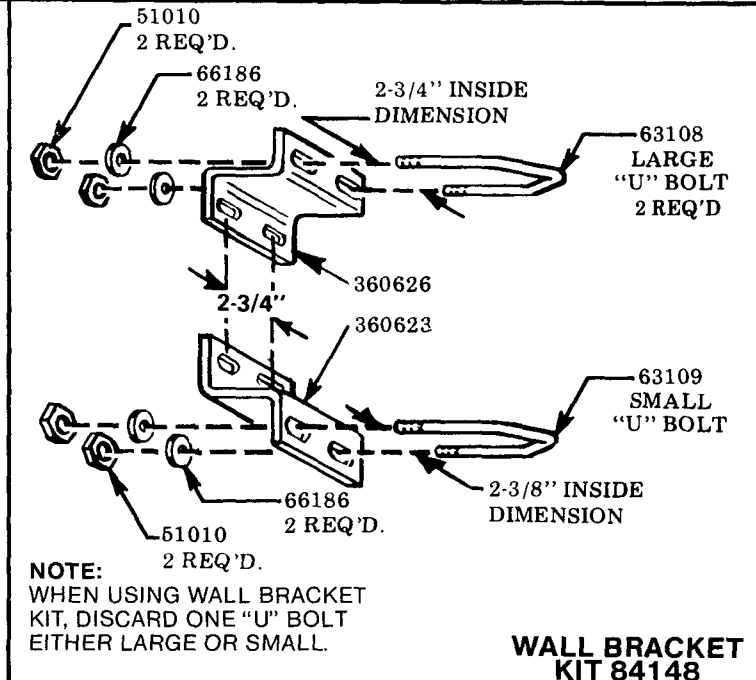
MODEL 1940 PUMP



MODEL 1951 PUMP



WALL BRACKET KIT 84164

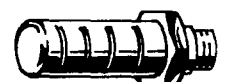


WALL BRACKET KIT 84148

PARTS NOT INCLUDED IN KIT

Suction Kit No.	Bracket Kit No.	Pump Model No.	Dimensions			Pump Tube Inlet Adapter	Description	Air Motor Inlet Adapter	Description	Air Motor Muffler
			A	B	C					
84165	84148	83813	8-5/8"	4"	16-5/8"	67302	3/4" NPTF (FEMALE) x 1" NPTF (MALE) BUSHING	NONE REQUIRED		
84165	84164	1951	11-1/2"	4-3/4"	32-1/8"	REQUIRED	3/4" NPTF (FEMALE) x 2" NPTF (FEMALE) REDUCER	67062	3/4" N.P.T. 90° ELBOW	66764 67224 (PLUG)
84165	84148	485, 486	18"	4"	25-1/4"	REQUIRED	3/4" NPTF (FEMALE) x 2" NPTF (FEMALE) REDUCER	NONE REQUIRED		
84165	84148	82398	4-1/8"	4"	21-1/4"	2 REQUIRED	3/4" NPTF (FEMALE) x 2" NPTF (FEMALE) REDUCER 2" NPTF (MALE) x 8" LG. EXTENSION	NONE REQUIRED		
84165	84164	1940	6-1/2"	4-3/4"	33-3/4"	REQUIRED	3/4" NPTF (FEMALE) x 2" NPTF (FEMALE) REDUCER	20029	1/8" N.P.T. FEMALE X 1/8" N.P.T. MALE, 90° ELBOW	
84165	84148	84145-9	4-1/32"	4"	31-1/16"	NONE REQUIRED		NONE REQUIRED		
84165	84148	83776	4 1/8"	4"	26-5/16"	2 REQUIRED	14696-8 Foot Valve Body and 3/4" NPTF Female x 2" NPTF Female Reducer	NONE REQUIRED		

FIG. C



NO. 66764 MUFFLER

FOR USE WITH POWER-MASTER 3 PUMP — MODEL 1951

SERVICE PARTS

84148 WALL MOUNT KIT—2½" PUMPS

Qty. Req'd.	Part No.	Description
4	51010	Nut
2	63108	U-Clamp
1	63109	U-Clamp
4	66186	Lockwasher
1	360623	Bracket
1	360626	Bracket

84164 WALL MOUNT KIT—POWER-MASTER PUMPS

Qty. Req'd.	Part No.	Description
2	16397	Screw
10	48019	Washer
2	50178	Screw
2	50179	Screw
2	51001	Nut
1	361037	Support Bracket

84165 SUCTION KIT

Qty. Req'd.	Part No.	Description
1	40665	Bung Bushing
1	50702	Thumb Screw
1	61567	Suction Tube
1	66998	Adapter Union
1	67442	90° Reducing Elbow
1	68620	Hose & Coupling Assembly
1	82466	Low Level Cut-Off

RETAIN THIS INFORMATION FOR FUTURE REFERENCE

When ordering replacement parts, list: Part Number, Description, Model Number, and Series Letter.

LINCOLN provides a Distributor Network that stocks equipment and replacement parts.